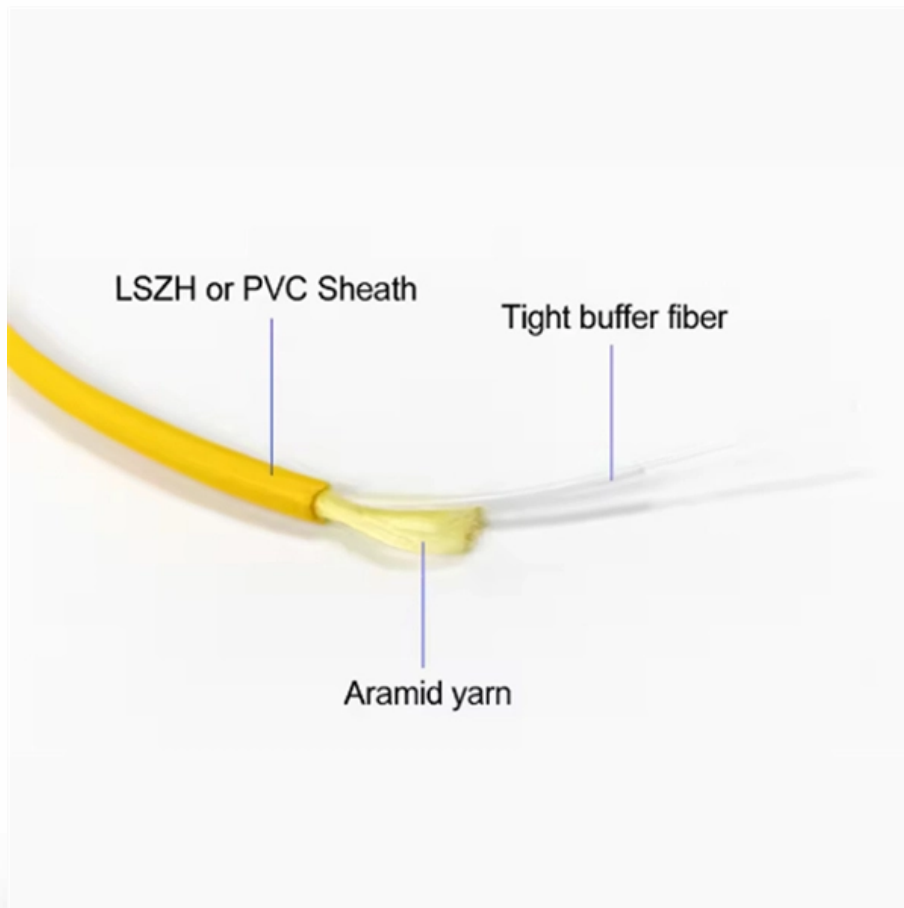




**Adam Tas Corridor Energy**

# **100g Optical Module Short-Range Transmission Transmitter**





## 100g Optical Module Short-Range Transmission Transmitter

---



### 100g light module characteristics and application

A 100G optical module is a high-speed optical transceiver that is capable of transmitting data at a rate of 100 gigabits per second. These modules are used in a variety of applications,

### Comprehensive Overview of 100G QSFP28 Transceiver

The 100G QSFP28 optical transceiver is crafted for 100 Gigabit Ethernet, EDR InfiniBand, or 32G Fibre Channel applications. Sporting a footprint akin to the



### 100G Optical Module Introduction: Understanding Its

The growing demand for faster, more reliable networks has driven innovations in optical communication technology. One such innovation is the

### 100G Optical Module Selection Guide: Advantages and Types of

Explore the QSFP28 100G optical module, a vital component for high-speed network connections.



Discover its unique features, advantages, and various types to meet diverse



### **FS 40/100G QSFP28 SWDM4 Optical Transceiver**

What is FS 40/100G SWDM4 Module? The FS 40/100G SWDM4



### **A Comprehensive Guide to 100G Optical Transceiver**

Understand 100G optical transceiver form factors like QSFP28, CFP, CFP2, CFP4 and CXP. Learn how they optimize network performance and



### **100G LR4 Modules: Unleashing the Power of Long**

The 100G LR4 (Long Range 4) module is a type of optical transceiver designed for high-speed data transmission over long distances. It operates at a





## Transmission Distance Of 100G Optical Modules

To adapt to different application scenarios, 100G optical modules are available in a variety of models, covering transmission distances from 100m to



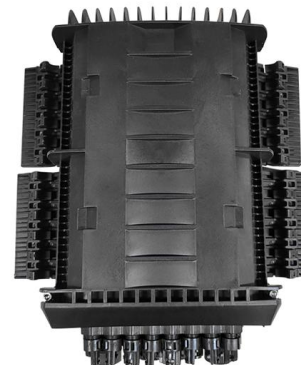
## Everything You Need to Know About 800G/1.6T Optical Transceiver

The cost of an 800G module is approximately 2-3 times that of a 400G module, but prices are gradually decreasing through photonic integration and mass production optimization. Users need



## A Deep Dive into the QSFP28-100G-ZR4 Optical

QSFP28-100G-ZR4 transceiver enables 100G data transmission up to 80km using single-mode fiber, ideal for long-distance, high-speed network



## 100G SFP112 Optical Module: High-Speed, Energy

Discover the 100G SFP112 optical module, leveraging advanced PAM4 modulation for 112 Gbps single-channel transmission. Ideal for data centers, telecom



## 100G Ultra Long Haul DWDM Framework Document

Motivation The purpose of this project is to accelerate the availability of 100G transmission technology for ultra long haul DWDM networks. While many research publications have demonstrated 100G



## 100G Coherent QSFP28 C-band Tunable 80km DCO Transceiver

Description The 100G ZR QSFP28 DCO transceiver supports 100G transmission over distances up to 120km (dispersion limited, optionally extendable to 300km) for edge network applications. On the

## FS Community

Hier sollte eine Beschreibung angezeigt werden, diese Seite lässt dies jedoch nicht zu.





## 100G QSFP28 Transceivers: LR, ER, ZR Complete

Explore 100G QSFP28 transceivers: SR4, LR4, ER4, ZR4 variants. Compare double fiber, single lambda PAM4, and BIDI options for optimal network

## QSFP28 Transceiver: The Ultimate 100G Optical

The 100GBASE-SR4 QSFP28 transceiver is made explicitly for short-range fiber optic connections. It works on multimode fiber and supports

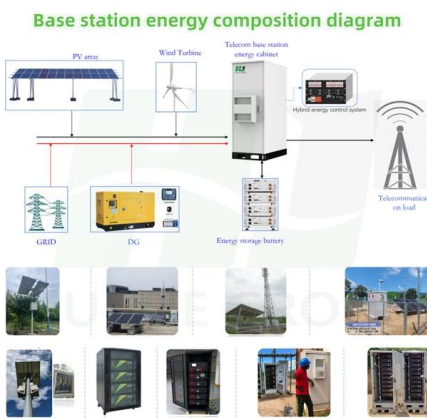


## 100G QSFP28 Transceivers: Types, Specs and How to Choose

In this guide, we provide a comprehensive, practical overview of 100G QSFP28 modules, covering their working principles, module types, key specifications, typical applications, and a step-by-step

## 100G QSFP28 Optical Module Selection Guide: Medium to Long Transmission

This article tells you how to choose 100G QSFP28 modules for medium and long transmission distances, as well as the advantages of QSFP28 modules and why you should choose



## QSFP28 SR4 Optical Transceiver Module Overview

Explore FS QSFP28 SR4 optical transceiver with low power consumption, perfect compatibility, and reliable performance for efficient data

## Transmission Distance Of 100G Optical Modules

Based on transmission distance, 100G optical modules are mainly categorized into short-haul, medium-haul, long-haul, and ultra-long-haul levels.



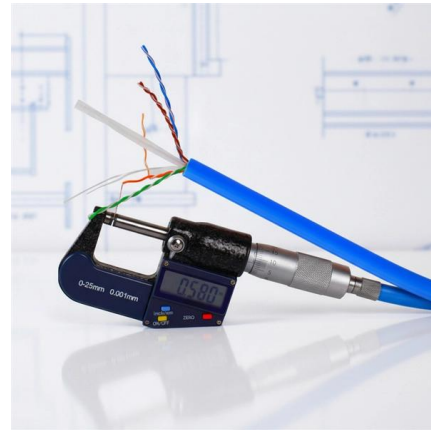
## 100G Optical Module: How to Choose Between SR4, DR4, FR4, LR4,

Today, we've delivered a clear and comprehensive breakdown of the transmission standards for 100G optical modules. Our goal is to empower you with the insights needed to



## 100G Coherent QSFP28 C-band Tunable 80km DCO Transceiver

The 100G ZR QSFP28 DCO transceiver supports 100G transmission over distances up to 120km (dispersion limited, optionally extendable to 300km) for edge network applications. On the host side,



## Arista 100G Transceivers and Cables: Q&A

Arista's 100G connectivity solutions include copper cables and Active Optical Cables (AOCs) to enable cost effective short reach options, as well as a wide range of optical transceivers in QSFP form

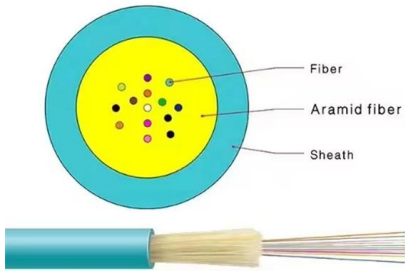
## Unlocking High-Speed Connectivity: The Ultimate Guide

? What is a 10G Short-Range Optical Transceiver? A 10G short-range optical transceiver is a small, hot-pluggable module that converts electrical



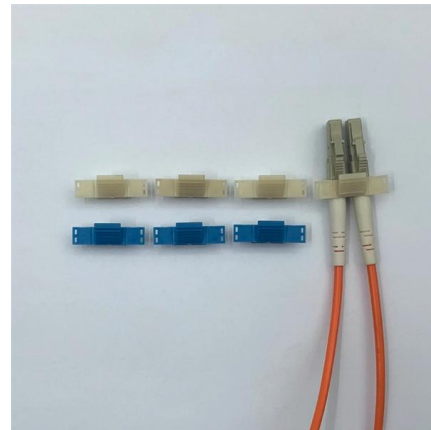
## The Ultimate Guide to SFP Modules (2026): Types,

A. TOSA (Transmitter Optical Sub-Assembly) The heart that converts electrical signals into optical signals. Depending on distance and cost, TOSAs use different



## Top Optical Modules for POTN Deployment: SFP, QSFP, and OSFP

They convert electrical signals from routers, switches, or OLT devices into optical signals that travel through fiber networks. Each module encapsulates transmitter and receiver components,

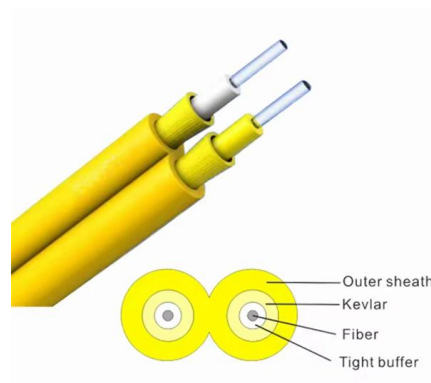


## QSFP28 Transceiver: The Ultimate 100G Optical

Transmission Distance Requirements In order to ensure optimal network performance, it is important to know transmission distance requirements

## 100G QSFP28 SR4 Optical Transceiver Module

With its Short Reach (SR) optics, the 100G QSFP28 SR4 module can reliably transmit data over distances of up to 100 meters using OM4 fiber. Its





## **100G Transmission Using 100G QSFP28 Transceivers**

This article will explain how different 100G QSFP28 achieve 100G transmission. FS provides a variety of different compatible 100G QSFP28

### **Contact Us**

---

For datasheets, pricing, or custom telecom energy solutions, please visit:  
<https://www.koskolong.co.za>