



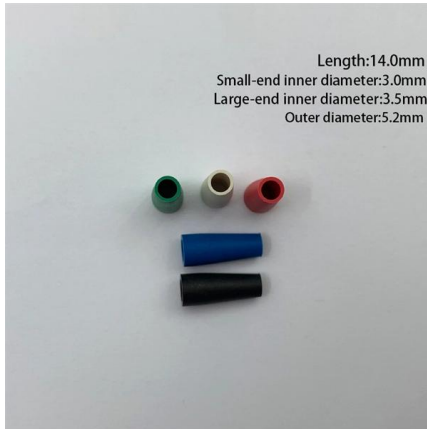
Adam Tas Corridor Energy

100kW Power Supply Solution for Honduras Telecom Sites





100kW Power Supply Solution for Honduras Telecom Sites



Telecom Power Supplies , Rectifiers , Inverters

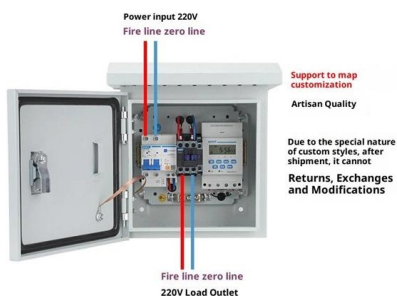
Today, BENNING is regarded as one of the leading suppliers of highly efficient power supplies for the safe operation of information and telecommunications technology

Power system considerations for cell tower applications

This white paper discusses the critical power system considerations for off-grid telecommunications cell towers, particularly in developing countries. With the



Product Wiring Diagram



Hybrid Solutions

Vertiv's hybrid solutions for telecom sites are extremely rugged and built to adapt to your site needs. Our energy systems are designed to support renewable energy

Honduras Energy Situation

Energy Situation The total primary energy offer in Honduras is around 4.62 Mtoe or 53,730.6 GWh .The main source of primary energy is



petroleum (53%)



Telecom

From antennas to core sites, we provide power solutions since the 1960s for telecom operators. In the telecommunications industry, uptime is everything. CE+T Power

Reliable Off-Grid Power for Remote Telecom Sites

The Solution: Solar-Primary Hybrid Power Off-grid solar and wind energy have evolved into the reliable, economical standard for powering telecommunication



Off-Grid Solar Power for Remote Telecom Towers , Anern

Fuel supply chain disruptions also pose a risk. Security Concerns: Remote sites with valuable fuel and equipment are vulnerable to theft and





Telecom Base Station PV Power Generation System Solution

Telecom Base Station PV Power Generation System Solution Single Photovoltaic Power Supply System (no AC power supply) The communication base station installs solar panels outdoors, and adds



A review of renewable energy based power supply options for telecom

In view of the above, the primary objective of this paper is to provide a comprehensive analysis of various renewable energy-based systems and the advantages they offer for powering telecom

Selection of Best Power Supply Source for Telecom Towers in

Some power supply alternatives including unconventional and hybrid of conventional and unconventional alternatives have been compared to find the solution such as diesel-powered



Honduras: Power Sector Issues and Options

The government of Honduras must meet its main goal of ensuring a reliable, efficient, and sustainable energy supply under difficult circumstances. The power sector is in crisis: high electricity losses, lack



Key Considerations for Main Power Supply in Telecom Sites

Discover essential factors for managing the main power supply in telecom sites, including backup systems, energy efficiency, and regulatory compliance.

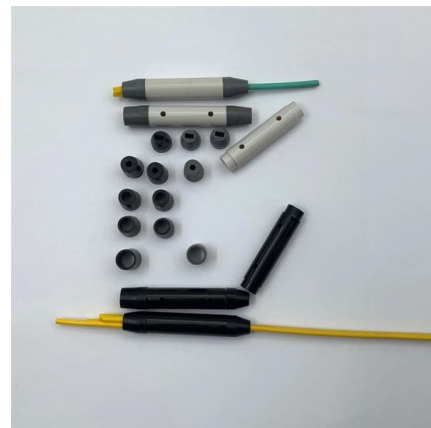


Honduras off-grid solar energy storage cabinet 100kW

100kW 256kWh Off-Grid Energy Storage The 100kW 256kWh Outdoor ESS Cabinet is an advanced, all-in-one lithium battery energy storage solution designed for off-grid power systems, remote industrial

Telecom Power Systems

In this discussion on Telecom Power Systems, discover the crucial role they play in ensuring uninterrupted communication and the advantages of





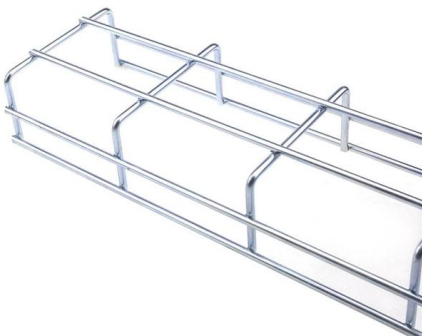
Solar & LiFePO4 ESS for Remote Telecom Towers , Anern

Discover how solar power systems and LiFePO4 energy storage offer reliable, sustainable solutions for remote telecom towers. Reduce costs, enhance



100kW DC200V~750V AC/DC power converter Energy

This Energy Storage Hybrid PCS Cabinet: A versatile solution for industrial and commercial energy storage. Seamlessly integrates grid-connected and off-grid



A REVIEW ON DESIGN AND COST ANALYSIS ON HYBRID POWER SOLUTION

The clean energy technologies such as solar photovoltaic (SPV), wind turbines, biomass power, fuel cells have undergone trials at Telecom sites. This paper emphasis on Telecom sites powered by

100kW Energy Storage Cabinet for Data Center in Honduras

Professional supplier of photovoltaic power stations, power storage cabinets, communication outdoor cabinets, battery cabinets, microgrid systems, and solar energy solutions.



Honduras Bay Communication Base Station Wind and Solar

Communication base station wind and solar complementary The invention relates to a communication base station stand-by power supply system based on an activation-type cell and a wind-solar



Telecom Tower Provides Hybrid Microgrid Power Supply Solution

Did you know telecom towers consume 2-3% of global diesel annually? As 5G deployment intensifies, operators face an impossible equation: How to maintain 99.999% uptime while reducing OPEX and



Telecom Power System, Rectifier System, BTS Power

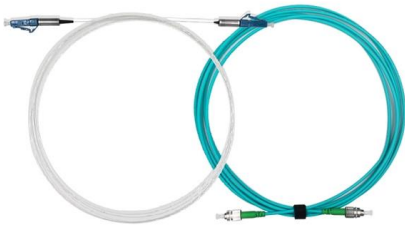
Highly integrated with rack DC power, rectifier module, MPPT converter module, inverter module and monitoring systems, our telecom power solutions can offer





Telecom Hybrid Power Solution , Telecom Solutions

Emtel Group has been at the forefront of implementing hybrid power systems, offering practical energy-efficient telecom tower solutions. Their case studies



100kW DC200V~750V AC/DC power converter Energy

Reliability: STS ensures uninterrupted power supply during grid transitions. Scalability: Modular design allows easy expansion as energy needs grow. The

SOLAR POWER SUPPLY SYSTEM HONDURASSOLAR POWER SUPPLY SYSTEM HONDURAS

Learn about SOLAR POWER SUPPLY SYSTEM HONDURASSOLAR POWER SUPPLY SYSTEM HONDURAS - professional energy storage and power solutions including photovoltaic containers,



Modular Power Supply for Telecom Application (54V/100A)

This paper describes the practical aspects of building modular power supply for telecom application. The latest requirements of the telecom industry calls for high efficient power supplies capable of handling



Honduras Power Supply Market (2025-2031) , Analysis & Companies

The rise in digitalization, the expansion of industries such as telecommunications, and the growing adoption of electric vehicles are further driving the demand for power supply solutions in Honduras.



ITU-T Rec. L.1380 (11/2019) Smart energy solution for telecom sites

Smart energy solution for telecom sites
Summary Recommendation ITU-T L.1380 focuses on smart energy solutions for telecom sites, mainly on the performance, safety, energy efficiency and

Electricity sector in Honduras

The electricity sector in Honduras has been shaped by the dominance of a vertically integrated utility; an incomplete attempt in the early 1990s to reform the sector; the increasing share of thermal



PES100S Portable Hybrid Energy (100 kWe) , PowerLink

PowerLink PES 100S--your portable hybrid energy solution designed for low OPEX and high returns. Engineered to thrive in island power, on-site operations,



Power supply for data centers and telecom

Our Power Shelves deliver over 100 kW of output - all packed into a space-saving system. Depending on your needs, multiple power supplies can be flexibly deployed. With an efficiency of up to 97.5%,



Contact Us

For datasheets, pricing, or custom telecom energy solutions, please visit:
<https://www.koskolong.co.za>