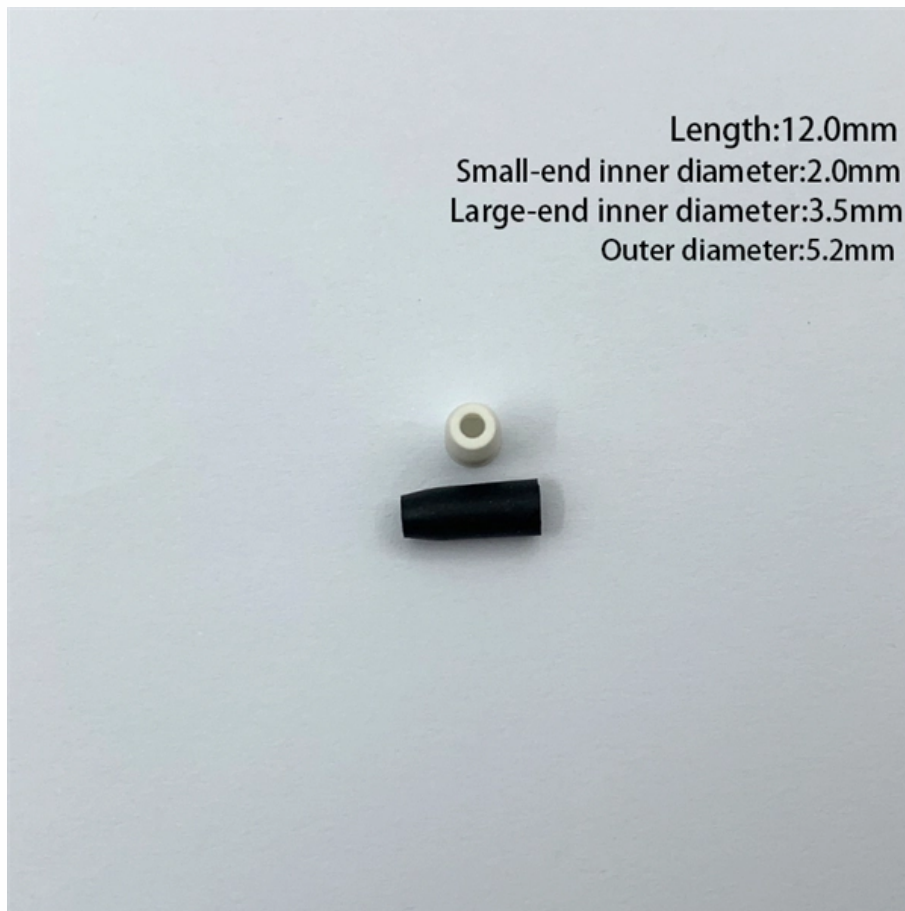




**Adam Tas Corridor Energy**

# **140 optical cable diameter**





## Overview

---

This graded-index 100/140  $\mu\text{m}$  multimode fiber has a 100  $\mu\text{m}$  core diameter and a 140  $\mu\text{m}$  cladding diameter. The large core diameter and high Numerical Aperture make this fiber suitable for use in applications. Many glass fiber optic cables are available with different glass fiber bundle diameters. Due to cladding diameter is too large, so it is mainly used in the Description: FC/UPC-FC/UPC Duplex Multimode 100/140um Fiber Patch Cable The 100/140um patch cable is a multimode duplex cable and apply in Fiber Optic.



## 140 optical cable diameter

---



### FIBRE OPTIC CABLES GENERAL SPECIFICATIONS

FIBRE OPTIC CABLES GENERAL SPECIFICATIONS \*  
All attenuation values are valid for cabled fibres  
\*\* Zero Water Peak

### Fiber Optic Cable Types - Multimode and Single Mode

Core size is a big factor in how far the signal will travel. In general, the smaller the core the farther the optical signal (light pulse) will go before it needs regenerated. Later we will get into a bit more detail



### The FOA Reference For Fiber Optics

Fiber Optic Cable Cable Types: (L>R): Zipcord, Distribution, Loose Tube, Breakout Cable provides protection for the optical fiber or fibers within it appropriate for the

### Fiber Optic Cable Sizes: A Comprehensive Analysis

Figure no 1 Guide to Fiber Optic Cable Sizes 1)  
fiber Optic Sizes A fiber optic cable consists of



many components that serve to both protect the fragile fiber within and transmit data



### Larger core 100um/140um fiber patch cable

Fiberinthebox offers the simplex or duplex 100/140um larger core patch cables terminal with all kinds of connectors like LC,SC,FC,ST,MU,MTRJ,E2000 etc.

## FIBER OPTIC CABLES

Introduction Optical Fiber Cables come in all sorts of lengths, sizes and configurations. In this catalogue you'll find a wide variety of cables that will fit into many different application areas.



### Product Spec Sheet 002K8P-31130-A3

002K8P-31130-A3 Corning FREEDM® One interlocking armored cables are flame-retardant, indoor/outdoor cables designed for interbuilding and intrabuilding backbone installations



## Fiber Specifications Including Size, Attenuation and

Fiber Optic Tutorial presented by LANshack . Learn about fiber optic basics, fiber, jargon, cable, termination, network, estimation, testing, training, and glossary.



## Fiber optic cable Catalog

Approximate dimensions of 3x2 millimeters. Equipped with two non-metallic FRP elements to protect optical fibers<sup>1</sup>. Direct connector installation possible. Has a desirable bending radius and high tensile

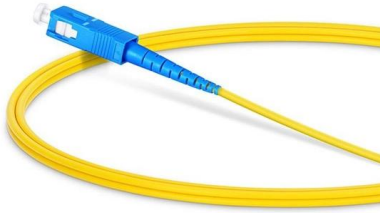
## Fibre Optic Cable Catalogue

Fibre Types & Wavelengths Briticom® cables are available in many specifications, for both indoor and outdoor use. We have a wide range of indoor and outdoor fibre optic distribution, patching and



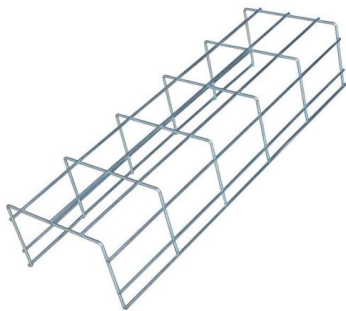
## Product Catalogue Fibre Optic Cable

Crush N/100mm 3000 Strength Member E-Glass  
Storage Temperature °C -20 to +60  
Installation Temperature °C 0 to +50  
Operating Temperature °C -20 to +60  
Nominal Weight (4 and 6 fibre) kg/km



### **TLC Large Core Fiber Cable Multimode 3mm Simplex**

These large core fibers are available in a variety of core sizes and coating options to meet application needs for bandwidth, high temperature, hermeticity, or other

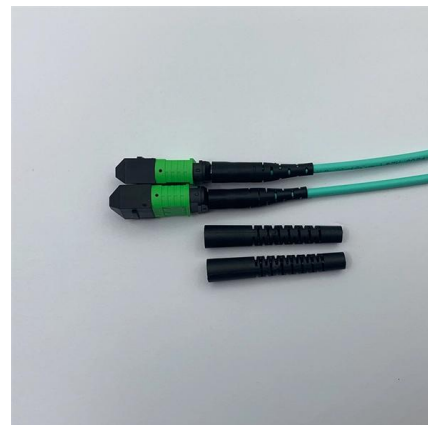


### **100/140 High-Temperature Graded- Index Optical Fiber -**

This graded-index 100/140 mm multimode fiber has a 100 mm core diameter and a 140 mm cladding diameter. The fiber is designed for use at 850 nm and/or 1300

### **Fiber-optic cable**

A fiber-optic cable, also known as an optical-fiber cable, is an assembly similar to an electrical cable but containing one or more optical fibers that are used to carry



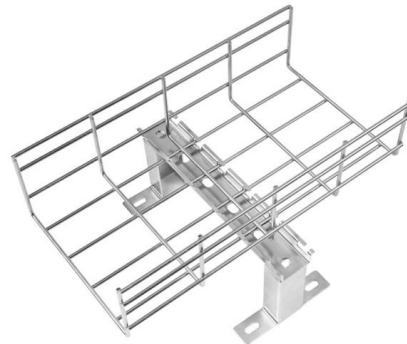


## DTS0135

The jacket diameters listed are for those fibers that come from the manufacturer pre-cabled. For short lengths of fibers OZ Optics can cable the fibers in a loose tube cable. For instance, SMF-780-5/125

## Fiber Optic Cables Technical Data

Application Recommendations Many glass fiber optic cables are available with different glass fiber bundle diameters. Larger diameter bundles contain more fibers to carry light between the sensor and



## Fiber Optic Cable Assembly Portfolio

Explore our extensive portfolio of optical cable assemblies, designed to meet a variety of needs with solutions ranging from single-fiber to multi-fiber

## Fiber Optic Cables Technical Data

PDF file

## Opti-Core 144 and 288-Fibre Indoor Ribbon Cables, LSZH and

easy mass fusion splicing and termination with





12-fibre MPO style connectors. Each ribbon shall have its own sub-unit tube for easy handling and management. The cable shall be flame rated for indoor use

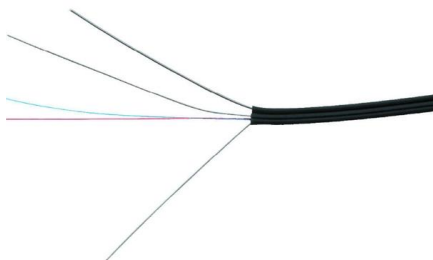


### **DrakaElite Graded-Index Multimode Optical Fiber (100\_140 mm)**

Multimode fiber has a 100 core diameter and a 140 cladding diameter. The fibre is designed for use at 850 nm and/or 1300 nm.

### **FIP100140170 Polymicro Optical Fiber, Ultra Low -OH Silica/Silica**

Home > All Products > Optical Fiber and Cable > Polymicro Technologies - Molex LLC > FIP100140170



### **Larger core 100um/140um fiber patch cable**

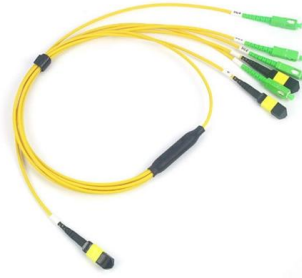
The 100/140um Fiber Patch Cable also belongs to a type of patch fiber. Due to cladding diameter is too large, so it is mainly used in the special power transmission, also the multimode fibers have a 250

### **DrakaElite Graded-Index Multimode Optical Fiber (100\_140 mm)**

With its large core diameter and high Numerical



Aperture this fiber is optimized for applications where high and easy coupling efficiency to a light source is necessary, e.g. in industrial systems and



### **Opti-Core Fibre Optic Indoor- Outdoor Armoured Cable 48 to 144**

Opti-Core™ Fibre Optic Indoor-Outdoor Armoured Cable 48 to 144-Fibres, EuroClass Cca and B2ca for EMEA A T A S H E E T



### **Optical Fibre Cable Technical Specification**

This Specification covers the design requirements and performance standard for the supply of optical fibre cable in the industry. XCOM ensures a stable quality control system for our cable products



## **Contact Us**

---

For datasheets, pricing, or custom telecom energy solutions, please visit:  
<https://www.koskolong.co.za>