



Adam Tas Corridor Energy

16Gb Fibre Channel





16Gb Fibre Channel

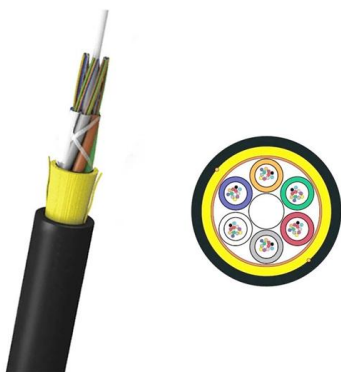


Fibre Channel Standards, Speeds and Feeds, and

Okay, I have a confession to make. I've been somewhat amused by Brocade's recent "Gen 5" Fibre Channel campaign. After all, the idea that "we're

General Specifications for 16 Gbps Fibre Channel SFP+ Transceivers

General Specifications for 16 Gbps Fibre Channel SFP+ Transceivers provides the general specifications for Fibre Channel SFP+ transceivers.



8G/16G/32G FC SFP+/SFP28 Transceiver Modules

8G/16G/32G Fibre Channel Transceiver Modules are compatible with the MSA standards and have connectivity options of SW/LW/EW with SFP+/SFP28 footprint.

2G/4G/8G/10G/16G/32G/64G/128G Fibre Channel Modules , Optical

Fibre channel transceivers are suitable for Fiber Channel storage networks and Ethernet



applications. The characteristics of small size and low power consumption meet the needs of fast and lossless



Fibre Channel Adapters and Controllers , QLogic Fibre Channel

The Marvell ® QLogic ® 2600 series controllers are enhanced Gen 5 (16Gb) Fibre Channel controllers available in dual-port and quad-port.



Cisco

The Cisco SFP+ transceiver module is a high-performance, plug-in module designed to meet the demands of modern fiber channel networks. With support for 16Gb Fiber Channel and a data transfer



16G SFP+ - Optcore

16G SFP+ Transceiver Optcore 16G SFP+ transceivers are an industry-standard fibre channel (16G FC) module for storage area networks (SANs) applications.





Fibre Channel Adapters and Controllers , QLogic Fibre Channel

Enhanced Gen 5 FC (16GFC) fibre channel controllers providing industry leading native FC and FC-NVMe performance with low CPU usage and full hardware offloads The Marvell ® QLogic ® 2600



General Specifications for 16 Gbps Fibre Channel SFP+ Transceivers

Provides general specifications for 16 Gbps Fibre Channel SFP+ transceivers, detailing their features and performance for efficient data transmission.

The Benefits and Application of 16 Gbps Fibre Channel

The Benefits and Application of 16 Gbps Fibre Channel Discusses 16 Gigabits per second (Gbps) Fibre Channel (FC) and how it improves throughput in Storage Area Networks to reduce Inter-Switch Link



Hpe StoreFabric SN1200E 16Gb Dual Port Fibre

The HPE Store Fabric SN1200E 16Gb Fiber Channel Host Bus Adapters deliver the high bandwidth, low latency and high IOPs to meet any application requirements,



HPE 16Gb Fibre Channel Host Bus Adapter QuickSpecs

Designed for environments with greater virtual machine density and bandwidth requirements, the 16Gb HBAs enable more applications and VMs to run on a single host server and Fibre Channel port,



Hardware Specs

Dual-port 16Gb Enhanced Gen 5 Fibre Channel expansion card with SFP+ transceivers Standard Warranty

HPE StoreOnce Gen4 16Gb Fibre Channel Network Card LTU Data

This digital data sheet provides detailed information about HPE StoreOnce Gen4 16Gb Fibre Channel Network Card LTU





Characterizing an SFP+ Transceiver at the 16G Fibre

Abstract The Fibre Channel standard is evolving to include the next generation "16G" data rate. Specifications show a line rate of 14.025 Gb/s and use of 64b/66b



16Gb Fibre Channel Netzwerkkarte (2026) zum Bestpreis

16Gb Fibre Channel Netzwerkkarte Preise vergleichen und günstig kaufen bei idealo 17 Produkte Große Auswahl an Marken Bewertungen & Testberichte



Emulex 16 Gb Gen 6 Fibre Channel Host Bus Adapters

The Emulex 16 Gb Generation 6 Fibre Channel (FC) host bus adapters (HBAs) are an ideal solution when requiring high-speed data transfer in

Hpe StoreFabric SN1200E 16Gb Dual Port Fibre

Buy Hpe StoreFabric SN1200E 16Gb Dual Port Fibre Channel Host Bus Adapter: Network Cards - Amazon FREE DELIVERY possible on eligible purchases



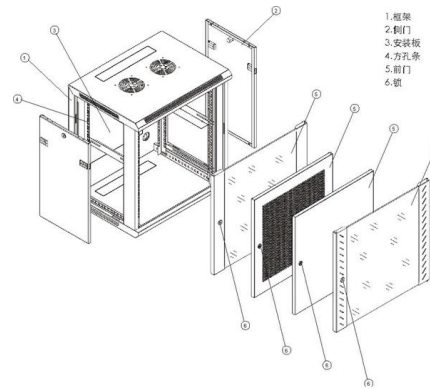
The Fibre Channel Roadmap

The Fibre Channel Roadmap illustrates the physical layer of Fibre Channel. The roadmap shows the historic speeds and feeds of Fibre Channel and the future speeds up to Terabit Fibre Channel (TFC).



16 Gb Fibre Channel Market adoptions: EMC 16Gb

For example, EMC announced their new 16G FC storage networking connectivity that further extends EMC's lead in the market. Customers can now



General Specifications for Fibre Channel 16-Gbps SFP+ Transceivers

The following table summarizes cabling specifications for 16-Gbps SFP+ transceivers: Table 1. General Specifications for 16-Gbps Fibre Channel SFP+ Transceivers.





Marvell QLogic 2670 Series Fibre Channel Adapters

The Marvell ® QLogic ® 2670 Series Gen 5 (16Gb) Fibre Channel adapters boast industry-leading native Fibre Channel performance--achieving dual-port, line

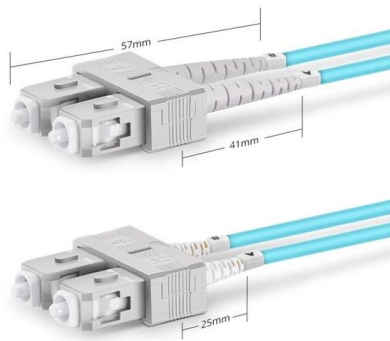


Fibre Channel Speedmap

Conclusion Fibre channel and Ethernet discuss speeds differently Historical reasons behind it To compare speed of Ethernet and Fibre Channel, look at throughput rates Consider that

HPE MSA 16Gb Short Wave Fibre Channel SFP

Boost connectivity with HPE MSA 16Gb Short Wave Fibre Channel SFP+ 4-pack Transceiver. Ensuring high-speed data transfer, explore its features and specs.



Duplex SC UPC

Fibre Channel

Fibre Channel typically runs on optical fiber cables within and between data centers, but can also run on copper cabling. Supported data rates include 1, 2, 4, 8,



16G Fibre Channel SFP+ Transceivers , EDGE Optical

These transceivers enable multiple independent 16G FC links over single fiber pairs, maximizing infrastructure utilization with 13-18 dB link budgets for 40km



The Benefits and Application of 16 Gbps Fibre Channel

Discusses 16 Gigabits per second (Gbps) Fibre Channel (FC) and how it improves throughput in Storage Area Networks to reduce Inter-Switch Link counts, improve application performance, ease

Cisco DS-SFP-FC16G-SW 16-Gbps Fiber Channel SW

Cisco DS-SFP-FC16G-SW 16-Gbps Fiber Channel Short Wave - LC Multi-Mode SFP+ Transceiver Module - Brand New Overview The Cisco 16-Gbps Fiber



Contact Us

For datasheets, pricing, or custom telecom energy solutions, please visit:
<https://www.koskolong.co.za>