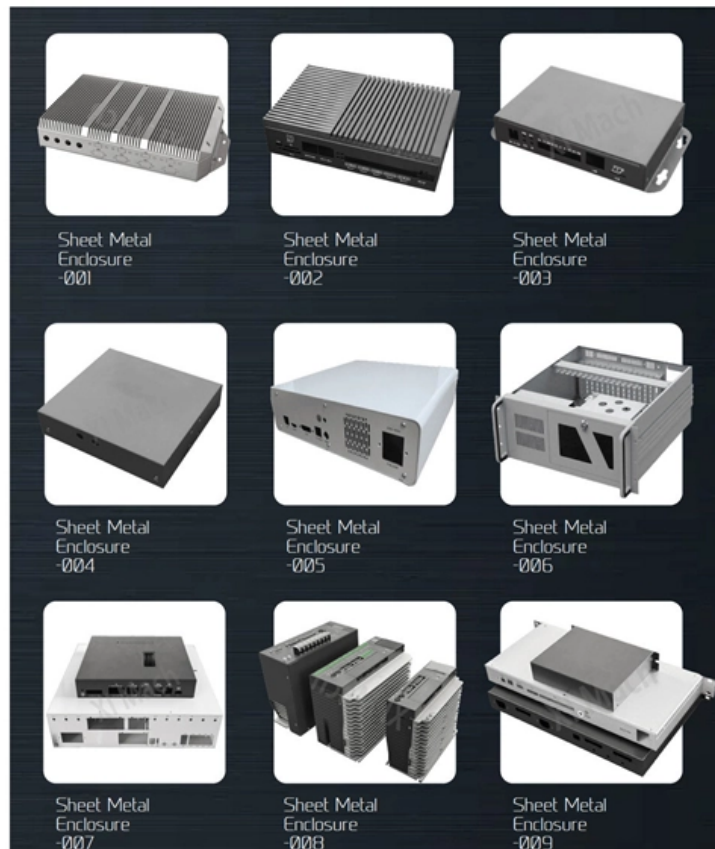




# 5G fronthaul optical module customization price





## 5G fronthaul optical module customization price

---



### Pluggable Optical Module Market Research Report 2034

The pluggable optical module market was valued at \$9.8 billion in 2025 and is projected to reach \$26.4 billion by 2034, growing at a CAGR of 11.6%.

### 5G Fronthaul Optical Transceiver Modules Market Drivers and

The 5G fronthaul optical transceiver module market is experiencing explosive growth, fueled by the global rollout of 5G networks. This expansion is further accelerated by increasing data



### Single Mode Optical Modules Market 2026

Telecommunication operators are extensively deploying Single Mode Optical Modules in fronthaul and backhaul applications to support 5G network rollouts. The modules enable high-speed, low-latency

### 5G Wireless Fronthaul Optical Transceiver Module Solution

Based on existing fiber resources, various customized solutions can be provided, such as fiber direct drive solutions, passive/active WDM



solutions, etc., to



### **An in-depth analysis of the North America 5G Optical Module**

The "North America 5G Optical Module Market" Insights report offers an in-depth and thorough analysis of the market, covering aspects such as size, shares, revenues, segments,



### **5G Fronthaul Optical Transceiver Modules Market Size By**

The Global 5G Fronthaul Optical Transceiver Modules Market is experiencing rapid growth driven by the increasing demand for high-capacity, low-latency communication networks



### **China Top 10 Fiber Optic Cable Manufacturers in 2025**

The fiber optic cable industry in China has solidified its position as a global powerhouse, driving the expansion of high-speed networks, 5G infrastructure, and smart cities. As of November





## Optical Module Chip Market 2025

Optical module chips form the backbone of 5G fronthaul and midhaul networks, with the market for 25G and 100G optical modules specifically designed for 5G applications expected to grow at nearly 30%



## COLOR X SiPh DWDM Optical Solution for Metro, DCI & 5G Fronthaul

FIBERSTAMP's COLOR X SiPh DWDM Optical Solution delivers a complete O-Band DWDM (Dense Wavelength Division Multiplexing) interconnect platform optimized for metro access, data center

## Optical Link Raman Amplifiers Future-proof Strategies: Trends

Optical Link Raman Amplifiers Future-proof Strategies: Trends, Competitor Dynamics, and Opportunities 2026-2034 Optical Link Raman Amplifiers by Application (4G Fronthaul, 5G Fronthaul,



## What Is an SFP Module? -- Complete Guide to SFP, SFP+ & SFP28

In mobile networks, especially in some 4G and 5G fronthaul scenarios, SFP-based optics are used to connect centralized units (CU) and distributed units (DU). Their compact size, hot-swappable design,



### Custom 40G QSFP+ and 50G SFP56/QSFP28 Modules

Custom 40G QSFP+, 50G QSFP28 & 50G SFP56 Solutions (Enterprise Core & 5G Fronthaul)  
Upgrading enterprise core networks and deploying next-generation 5G cell sites requires rock-solid



### The Best Optical Transceiver Modules for 5G Fronthaul

The fronthaul optical module mainly includes 25Gb/s and 100Gb/s two rate types, supporting hundreds of meters to 20 km of typical transmission distance.



### SFP vs. QSFP: Differences, Use Cases, and How to Choose

SFP vs. QSFP Deployment Tips: Based on large-scale deployment experience across enterprise campuses, hyperscale data centers, and 5G transport networks, a consistent architectural pattern





**5-INCH COLOR TOUCHSCREEN**  
Intuitive operation, easily accessible with just one touch



## Application of C-Light Optical Module in 5G Front-Haul Network

C-LIGHT's 5G fronthaul application optical modules are characterized by high temperature resistance, small size, high speed, low latency, transmission performance of DWDM

## Global 5G Fronthaul Optical Transceiver Modules Market Research

This report segments the global 5G Fronthaul Optical Transceiver Modules market comprehensively. Regional market sizes, concerning products by Type, by Application, and by players, are also provided.



## 5G Fronthaul 25G SFP28 Optical Module Selection Guide , Langzhi

Complete guide to selecting 25G SFP28 optical modules for 5G fronthaul networks. Compare SR, LR, ER, BiDi, and CWDM types covering transmission distance, wavelength, power

## Compatibility Analysis of Optical Modules: Covering Global

Matching modules: 1G multi-mode, 10G single-mode, etc., with transmission distances ranging from 550 meters to 80 kilometers. 5G fronthaul scenario 25G BIDI ZR module: single-fiber

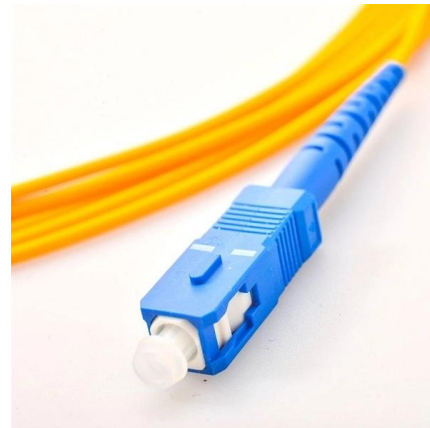


### **Silicon Photonics-Based Optical I&O Modules Market Size**

The deployment of silicon photonics in 5G infrastructure is catalyzing a new wave of high-speed, low-latency optical modules tailored for fronthaul and backhaul networks.

### **Optical Modules Market Research Report 2034**

According to GSMA Intelligence, the number of active 5G connections worldwide is forecast to surpass 3.5 billion by 2030, underpinning sustained demand for



### **5G Fronthaul Optical Transceiver Modules Market , Share 2035**

The Global 5G Fronthaul Optical Transceiver Modules Market showcases distinct growth trajectories across various Data Rate segments, including Low Speed, Medium Speed, High Speed,





## 5G Fronthaul Optical Transceiver Modules 2026-2034 Trends and

5G Fronthaul Optical Transceiver Modules by Application (Telecom Operator, Data Operator, Private Network, Others), by Types (10G, 25G), by North America (United States, Canada, Mexico), by



## 200G Optical Module Market 2025

The global 5G infrastructure market, expected to grow at over 65% CAGR through 2030, requires extensive backhaul networks utilizing 200G optical modules. These modules provide the necessary

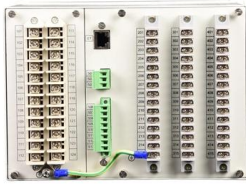
## Worldwide 5G Fronthaul Optical Transceiver Modules Market 2026

Pricing strategies shape competition in the 5G fronthaul market. Tiered pricing serves high-end operators with premium solutions while offering cost-effective options for smaller firms.



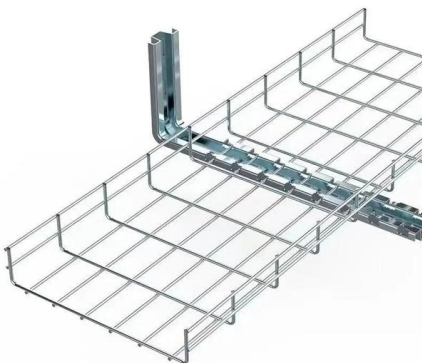
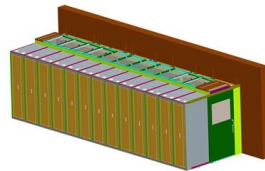
## 5G/6G optical fronthaul modeling: cost and energy consumption

To assist operators in choosing the most cost-effective fronthaul architecture, in this paper, we show how to evaluate the TCO of 5G and beyond RANs while taking various fronthaul



## Understanding Optics Module Trends and Growth Dynamics

The optics module market is booming, projected to reach \$42 billion by 2033, driven by 5G, cloud computing, and data center expansion. Learn about key market trends, leading companies, and

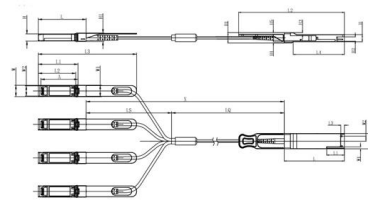


## Optical Module Package Market 2025

However, price sensitivity in developing markets often delays the adoption of premium optical solutions, and trade restrictions occasionally impact regional dynamics. South America In South America, the

## The Best Optical Transceiver Modules for 5G Fronthaul

Currently 10~15km demonstration trials have been achieved, the complementary chip is still in the development stage and the comprehensive cost is to be further



Unit mm

QSFP28	L	L1	L2	L3	L4	W	W1	W2	H	H1	H2	H3	H4	H5	H6
Max	72.2	-	128	4.35	61.4	18.45	-	6.2	8.6	12.4	5.35	2.5	1.6	2.0	-
Type	72.0	-	4.20	61.2	18.35	-	8.5	12.2	5.2	2.3	1.5	1.8	6.55	-	-
Min	68.8	16.5	324	4.05	61.0	18.25	2.2	5.8	8.4	12.0	5.05	2.1	1.3	1.6	-

SFP28	L	L1	L2	L3	W	W1	W2	H	H1	A
Max	57.6	47.7	44.55	119.9	13.8	14.0	12.3	8.7	10.3	45.35
Type	57.4	47.5	44.35	117.9	13.55	13.8	12.1	8.5	10.1	45
Min	57.2	47.3	44.15	115.9	13.3	13.6	11.9	8.4	9.9	44.65



## **Optical Transceiver Market Size, Share, Industry Report**

Submarine cable capacity expansion projects. 5G fronthaul and midhaul fiber densification. Co-packaged optics development initiatives. Challenges Thermal

## **Contact Us**

---

For datasheets, pricing, or custom telecom energy solutions, please visit:  
<https://www.koskolong.co.za>