



Adam Tas Corridor Energy

90-degree horizontal flexible bend in cable tray





90-degree horizontal flexible bend in cable tray

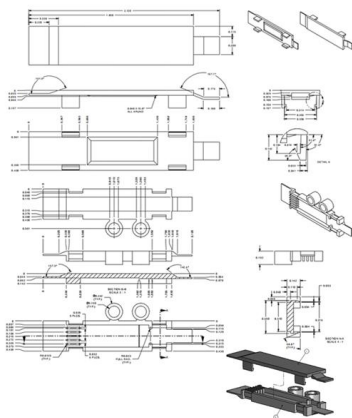
Horizontal bends, screw connection , OBO



Fittings, cable trays, screw connection - Horizontal bends, screw connection.

Cable Tray Bend

Find here Cable Tray Bend, Horizontal Bend Cable Tray manufacturers, suppliers & exporters in India. Get contact details & address of companies manufacturing and



90° Cable Tray Bends: Medium Duty Pre-Galvanised

Cable Tray Bends Getting cables from point A to point B isn't always a straight shot--that's where Cable Tray Bends come in. Whether you're working around

Cable Tray Bend

Manufacturer of Cable Tray Bend - FRP 90 Degree Horizontal Bend offered by Spectron Composites Private Limited, Vadodara, Gujarat.



Flexible 90° Cable Tray Riser Bend

The cable tray products are designed for use in numerous commercial and industrial applications. Available in standard and bespoke sizes with various finish options.



HOW TO FABRICATE (INSIDE ELBOW)AND(OUTSIDE ELBOW) 90 DEGREE

How to bend 22.5 degree of cable tray 3 layer with the same distance and gap <https://youtu.be/OnGSboipmm4>How to bend 90 degree of cable tray 3 line with the



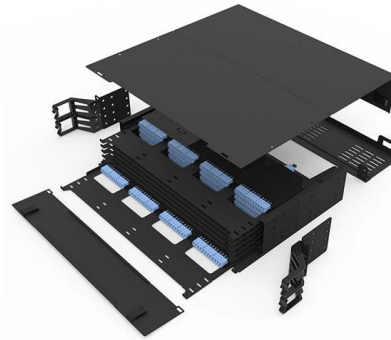
Fiberglass cable tray 90 degree horizontal bend assembly submittal

90-degree horizontal bend assembly for fiberglass cable trays, designed for efficient cable management and routing in industrial environments.



90° Horizontal Bend - Infinite Engineering

90° bend, horizontal, for all cable tray types of the series GKS of 60 mm side height.



Ladder Type Cable Tray Horizontal Bend , Pratik

A ladder type cable tray horizontal bend is a fitting designed to facilitate a smooth 90-degree change in the horizontal direction of a ladder cable tray system. This

AUF630SHB9012 , Bend for cable tray , T& B Cable Tray

Aluminum U-style fitting 6 inches side rail height 30 inches width solid trough horizontal bend 90 degree 12 inches radius



I-BEAM Ladder Horizontal Elbows 90°

Cope I-BEAM horizontal bend for cable tray systems. Compatible with NEMA Classes 12B, 12C, 20A, 20B, 20C, and higher.



Bend Cable Tray

Manufacturer of Bend Cable Tray - 600mm Horizontal Bend Cable Tray, 100mm Bend Cable Tray, 45 Degree Bend Cable Tray and 90 Degree Bend Cable Tray



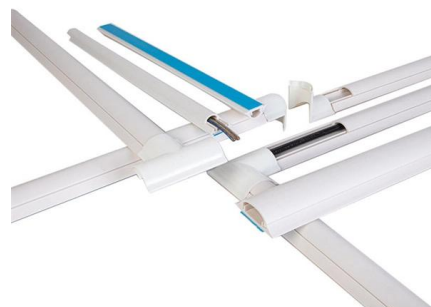
Horizontal Bend Cable Trays at INR 351/meter

The 45° Cable Tray Bend is an essential component in cable management systems, designed to facilitate smooth directional changes while maintaining cable



Cable Tray Installation Man Hours

Below are the list for cable tray installation man hour which include cable tray, cable tray cover; cable tray fittings such as 90 degree horizontal





Cable Tray Flat Bends , Cable Management , Metsec



45° & 90° flat bends are available for light, medium and heavy duty cable tray systems with widths ranging from 50mm - 900mm. An adjustable bend with 30°,

Cable Tray Bends

Heavy Duty 90 Degree Flat Bend 600mm
Galvanised £ 142.29 ex. VAT - £ 170.75 inc. VAT
Heavy Duty 90 Degree Flat Bend 750mm
Galvanised £ 264.50 ex. VAT



FRP Cable Tray Horizontal Bend , Pratik Cabletray

An FRP (Fiberglass Reinforced Plastic) cable tray horizontal bend is a fitting used to change the direction of an FRP cable tray system horizontally, typically at a 90

Horizontal Bend for Cable Trays

Horizontal Bends for Cable Trays are key components that allow for smooth directional changes in cable routing systems. These bends allow cables to be



SPF309VHB9024 , Bend for cable tray , T& B Cable Tray , Wire & Cable

Pre-galvanized steel fitting 3-5/8 inches side rail height 9 inches width ventilated horizontal bend 90 degree 24 inches radius

Flexible 90° Cable Tray Riser Bend

Armorduct offer a comprehensive range of cable tray including light, medium and heavy duty cable tray and associated accessories to suit various applications.



Cable Tray Bends

Heavy Duty 90 Degree Flat Bend 75mm £ 24.19 ex. VAT - £ 29.03 inc. VAT Heavy Duty 90 Degree Flat Bend 75mm Galvanised £ 35.06 ex. VAT - £ 42.07 inc. VAT



Horizontal Cable Tray Bend, 90 Degree

Deep Enterprises - Offering Horizontal Cable Tray Bend, 90 Degree at INR 235/piece in Greater Noida, Uttar Pradesh. Get Cable Tray Bend at lowest price , ID:



90 Degree Horizontal Bend for Perforated Cable Tray

90 Degree Horizontal Bend for Perforated Cable Tray, Find Details and Price about Cable Tray Perforated Cable Tray from 90 Degree Horizontal Bend for Perforated

Horizontal Bend , Ramdev Steel Industries

90° bend, horizontal, for all cable tray types of 50 mm side height. Including appropriate fastening material.



Cable Tray

Manufacturer of Cable Tray - 45 Degree Horizontal Bend Ladder, 90 Degree Vertical Bend Perforated Cable Tray, Cable Tray Accessories Bench and Horizontal Bend Perforated Cable Trays offered by



90 Deg Horizontal Bend Cable Tray, Pre Galvanized Steel, Outside

Horizontal 90 degree bend perforated electrical cable tray, manufactured from pre galvanized steel (GI), outside flange, 1.5mm thick, 60mm height, 100mm width, produced by BAHRA company, this cable



Contact Us

For datasheets, pricing, or custom telecom energy solutions, please visit:
<https://www.koskolong.co.za>