



Adam Tas Corridor Energy

Aluminum Alloy Optical Cable Junction Box Base





Overview

The ADSS/OPGW Metal Junction Box, also known as a splicing box or Metal Joint Junction Box, is designed to house fiber core splices for outdoor intermediate optical cables. The aluminium alloy joint box are applicable for connection protection of special optical cables, with the functions of direct and branch connection, with the maximum of 6 optical cables, which mainly for overhead rods and towers. Loose storage space makes storage more conveniently, quickly and cable bending radius big enough, avoiding fiber optic extra loss and ensuring transmission.



Aluminum Alloy Optical Cable Junction Box Base



Pratley Aluminium Alloy Junction Box , General Purpose

Supplied complete with earth terminal, nickel plated built-in cable glands (for SWA cable) and inner seals. Built-in glands can easily be converted for unarmoured

BBOX Enclosures , Aluminium Die Cast Enclosures

BBOX Enclosures manufactures heavy duty aluminium die cast enclosures and junction boxes engineered for demanding industrial and outdoor applications.



CA-J005, Fixed Dome Junction Box

The CA-J005 fixed dome junction box keeps cables clean and organized. Made of

20mm Size 0 Aluminium Alloy 2 Way Junction Box Orange

Specifications Colour Orange Diameter 87.5mm
Dimensions (Dia)87.5 mm x (H)54 mm Finish



Epoxy Gland Size 20mm Guarantee 1 Year
Height 54mm Material



Metal Joint Box for ADSS OPGW Cable

The metal optical cable splice closure is made of aluminum alloy with perfect seal. It features in high mechanical strength, good airtight and anti-corrosive. Having



Guidance Notes on Recommended Specifications of Junction Box and Cable

Foreword These Guidance Notes provide ABS recommendations for the design and construction of cable trays and junction boxes. These Guidance Notes are applicable to fixed and floating offshore



JUNCTION BOX ALUMINUM ALLOY

Aluminum alloy material with surface spray treatment Side inlet and bottom inlet The bottom waterproof cover and the side gland nut are interchangeable Waterproof design Appearance Hikvision White



Amazon : Aluminum Junction Box

LeMotech Junction Box, Aluminum Alloy Metal Electrical Box, IP67 Waterproof Dustproof Project Box, Outdoor Universal Enclosure, Grey 6.3x6.3x2.7in (160x160x70mm)



Aluminium optical cable joint box

(235 products available) Aluminum Alloy Metal Fiber Optic CableJointBox 12 24 36 48 Core Optical Fiber CableJoint Closure \$35.71-\$36.86 Min. Order: 100 sets SDGI OPGW ADSS Optical Fiber

Aluminum Alloy Joint Closure Box Opgw Cable Junction

Cable Joint Box is designed for splicing ADSS,OPGW cables and





Cast Aluminum Junction Box, For Cable Connecting

Easy and quick installation. High temperature resistant, Corrosion-Proof, can be used in harsh environments. Can be used in Terminal box, Distribution Box, Instrument

OPGW Joint Box , OPGW Splice Box , OPGW

Durability: Constructed from durable materials such as stainless steel or aluminum



General Purpose , Junction Boxes , Pratley Electrical

Cable glands and Junction Boxes Email Us Sales Enquiries (South Africa) Sales Enquiries (International) Accounts Enquiries Customer Training Enquiries General Enquiries (Non-sales related)

Junction Box with Terminals, JBE1 Series

Description The JBE1 junction boxes are designed for tap, splice or connecting of conductors for control, instrument or power circuit. These boxes are designed for



OPGW Optical Cable Metal Joint Box/Splice

Fibre optic metal joint box/joint closure/splice closure is used for the continuation of the optical cable in the middle of the tower, which has the advantages of high



ADSS/OPGW Metal Junction Box

12 24 36 3648 Cores Fiber Optical Cable Splice Closure Junction Box Metal Joint Box For Pole Tower 26,29 EUR (US 30,71 \$) Versand gratis

12 24 36 3648 Cores Fiber Optical Cable Splice Closure Junction Box Metal Joint Box For Pole Tower



OPGW Joint Box , OPGW Splice Box , OPGW

OPGW Joint Box The aluminium alloy joint box are applicable for connection protection of special optical cables, with the functions of direct and branch



Terminal boxes , Junction boxes , Ex , Ex e , Ex d , ATEX , Explosion

We offer bespoke, custom-made terminal boxes and terminal box combinations, as well as standard products with short delivery times. Our products are certified for installation technologies all over the



Aluminum Junction Boxes , McMaster-Carr

Choose from our selection of aluminum junction boxes, including over 225 products in a wide range of styles and sizes. Same and Next Day Delivery.

Pratley Aluminium Alloy Junction Box , General Purpose

Cable glands and Junction Boxes Summary Epoxy coated electrical orange. Supplied complete with earth terminal, nickel plated built-in cable glands (for



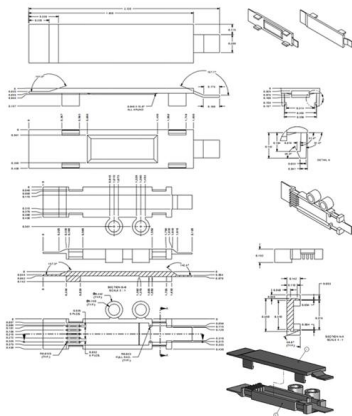
ADSS/OPGW Metal Junction Box

Fibre optic metal joint box/joint closure/splice closure is used for the continuation of the optical cable in the middle of the tower, which has the advantages of high



IP68 / IP67 / IP65 DIECAST ALUMINUM

Diecast aluminum enclosures with higher impact resistance and in IP68/IP67/IP65 protection classes. High heat dissipation rate and can be used as shielded

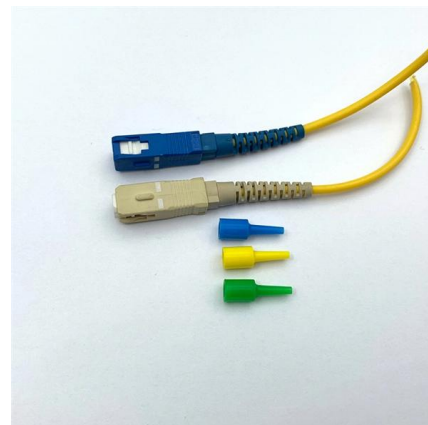


VILLCASE Dome Camera Junction Box, Aluminum Alloy CCTV Base Box

VILLCASE Dome Camera Junction Box, Aluminum Alloy CCTV Base Box Hide Cable, Universal Security Camera Junction Mounting Bracket for Outdoor and Indoor, 135mm Diameter, Multi-hole

Aluminium Alloy Joint Box High Quality Optical Fiber Cable Connection Box

Used for intermediate connection and branch protection of ADSS fiber optic cable lines, it can play a role in sealing, protecting the placement of optical fibers, and storing reserved optical fibers. Packaging





Metal Joint Junction Box, Splicing Box Manufacturer

The junction box is typically made from aluminum alloy for high mechanical strength and corrosion resistance. Internal components include modified PP+GF for the

Aluminum junction box, Aluminum terminal box

Find your aluminum junction box easily amongst the 115 products from the leading brands (ORTAC, SENSO CAR, KROMA MEC,) on DirectIndustry, the industry



Contact Us

For datasheets, pricing, or custom telecom energy solutions, please visit:
<https://www.koskolong.co.za>