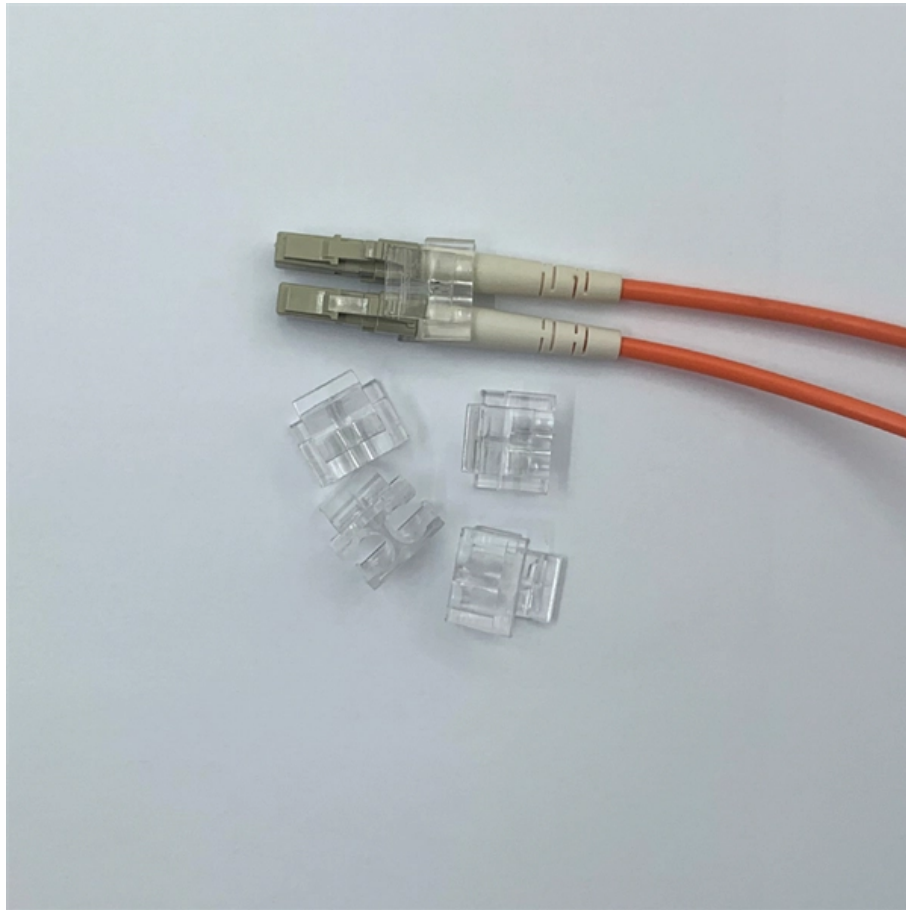




Adam Tas Corridor Energy

Are fiber optic cable hook machines easy to use





Overview

Deliver high-quality fiber-optic cables with 4 core machines—coloring, coating, SZ stranding & sheathing. Struggling to identify the essential equipment for fiber optic cable manufacturing?

Setting up a production line can seem complex and costly if you choose the wrong machines. Unlike fiber splicing, which is permanent, connectors allow for easy connection and disconnection of cables, making them ideal for maintenance and flexibility in. Fiber optic tools are specialized instruments designed for installing, terminating, splicing, testing, and maintaining fiber optic cables.



Are fiber optic cable hook machines easy to use



An In-Depth Guide to Fiber Optic Hook: Standards, Grades, and

Types of Fiber Optic Hooks A fiber optic hook is a precision hand tool used in fiber optic installations and maintenance to handle, align, and secure delicate fiber components without causing damage. These

Fiber Optic Cable Splicing Machines in the Real World: 5 Uses You'll

Industry players like rural ISPs and government initiatives rely on portable, easy-to-use splicing tools to deploy networks efficiently.



Complete Guide to Fiber Optic Home Networking

Unlike copper, fiber optic cables maintain speed and integrity over long distances. Ensure your home network uses fiber-compatible cables to take full

Be Your Own Technician: DIY Fiber Optic Installation Guide

6. Can I install fiber optic cables myself? Yes, with the right tools and guidance, you can



certainly install fiber optic cables yourself. Remember, precision and patience are key to a successful



How to Choose the Best Fiber Optic Cable Machine: A Complete

Discover what to look for in a fiber optic cable machine, including types, key features, pricing, and top buying tips for reliable performance.

The FOA Reference For Fiber Optics

All fiber optic applications are not the same. At the FOA, we're mainly concerned with communications fiber optics - telco, CATV, LAN, industrial, etc., but fiber optics



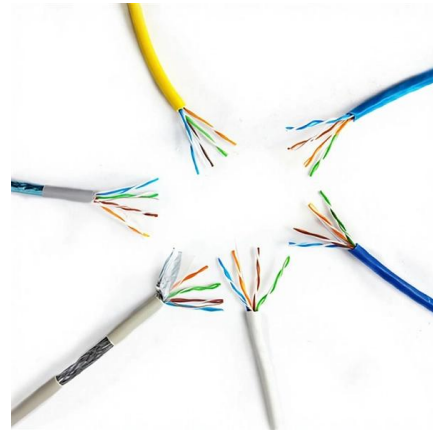
How to Install Fiber Optic Cable: Step-by-Step Guide

Learn how to install fiber optic cable with Network Drops' easy step-by-step guide. Follow the process for quick and effective results.



How to Properly Install Fiber Optic Cable: A Step-by

The fibers inside the cable are extremely delicate and easily damaged if handled incorrectly. When installing fiber optic cable, use appropriate personal



Fiber Connector Types: A Comprehensive Guide 2025

Unlike fiber splicing, which is permanent, connectors allow for easy connection and disconnection of cables, making them ideal for maintenance and

Fiber Optic Cable Installation

From long haul to fiber-to-the-premises, Condux International has the equipment you need for successful fiber optic cable installation. Whether it's fiber optic cable pulling or blowing, count on



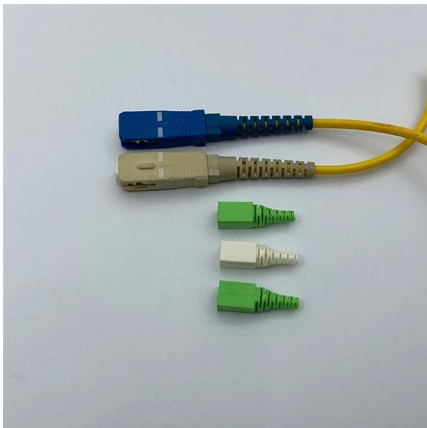
An introduction to fiber cable pushing machines - Fiber Optic Blog

Since they were first introduced in the 1980s, optical fiber cables have dramatically shrunk in size. A 96 fiber cable can now weigh 30kg/km (down from 300kg/km) and have a diameter of



A Guide to Optic Fiber Cable Equipment - Insight Initiative

Investing in reliable fiber manufacturing machinery enables manufacturers to consistently produce high-caliber FTTH cables that fulfill escalating demands. The influence of proper equipment transcends



understanding the different types of fbt fiber optic crimping machines

Fbt fiber optic crimping machines offer several benefits over other types of crimping machines, including: - versatility: fbt crimping machines can accommodate a wide range of cable sizes and connector

Fiber Optic Cable Pullers

At A-Aerial we offer competitive price for any Fiber Optic Cable Puller. The Fiber Cable puller is a simple, easy to use cable puller that is designed to accommodate industry standard sheaves of 9",





How to use fiber optic cable blowing machines?

Fiber optic cable and blowing machines selection, is highly important first of all, selected fiber optic cable must be compatible with the machine.

Use J-Hooks for Cable Support Systems - Fiber Optic Tech

J-Hooks offer an easy-to-install, non-continuous cable support for all types of telecommunication, data and power cabling, such as Category cables (eg. cat3/cat5e/cat6/cat6a),



machines for fiber optical cable production

Our efficient SZ stranding technology is designed to manufacture fiber optical cables for a wide range of indoor and outdoor applications. The stranding process guarantees low stranding tension fluctuation,

Cable Floating Machine: How to Use It Right?

Cable floating machine is the smart way to install fiber cables fast and safe. Learn how to use it right in this simple guide.



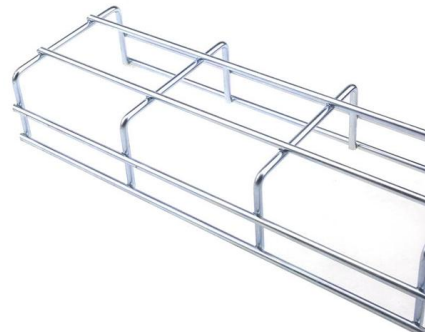
How to use a cable pulling machine to push and pull

Web site:; #machine #puller #ftth #telecom #cablemachine #fibermachine In this channel you will find fiber optic



Top 7 Must-Have Tools for Fiber Optic Technicians

The deployment of Fiber Optics Technology is advancing at a rapid pace. With the ability to transmit data at high speeds and the ever increasing bandwidth needs,



101 Guidelines for Fiber Optic Cable Installation

Never directly pull on the fiber itself. Fiber optic cables have Kevlar aramid yarn or a fiberglass rod as their strength member. You should pull on the fiber cable





Fiber Optic Cable Making Machine: 4 Essential Machines

Struggling to identify the essential equipment for fiber optic cable manufacturing? Setting up a production line can seem complex and costly if you



Fiber Optic Cable Puller

Condux Fiber Optic Cable Pullers set up easily at a variety of jobsite layouts. Components are modular, adding to versatility and operator safety.

Set Up a Fiber-Optic Network in Your Home or Office

Learn about the various fiber-optic components used for running fiber in your house, office, or between buildings. Find out how to use fiber optics for



How To: Install Fiber Optic Cable for Success - trueCABLE

Learn the best practices for installing fiber optic cable, from patch cords to bulk distribution fiber.



Fiber Optic Tools: A Professional Guide to Installation,

What Are Fiber Optic Tools? Fiber optic tools are specialized instruments designed for installing, terminating, splicing, testing, and maintaining



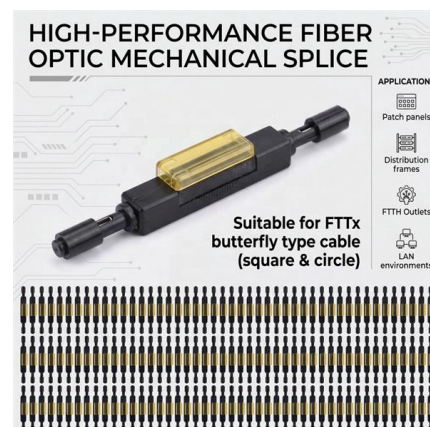
12 Fiber Optic Tools Every Installer Should Own

Fiber Cleaning Kit Contaminated connectors = signal loss. Every installer needs a reliable cleaning setup for end faces and adapters. Should



Explore Fiber Optic Machines: Types, Applications, and Key Features

Related Video Conclusion This comprehensive guide has explored the various types of fiber optic machines, their applications, and the essential features that differentiate them in the





30 Types of Optical Cable Production Equipment

Explore 30 essential types of production equipment used in optical cable and fiber optic assembly manufacturing. Learn how these machines enhance efficiency

Contact Us

For datasheets, pricing, or custom telecom energy solutions, please visit:
<https://www.koskolong.co.za>