



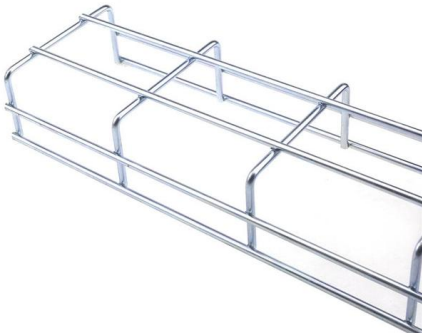
Adam Tas Corridor Energy

Are gigabit routers affected by fiber optic cables





Are gigabit routers affected by fiber optic cables



What's the Best Router for Gigabit Internet? , Fidium Fiber

Find top routers for gigabit fiber internet that provide fast, stable connections. Compare features and performance to choose the right router. Read more.

Gigabit Ethernet vs. Fiber Optic : Which Is Better?

Fiber optic cabling is often used in areas where copper cabling suffers interference from electronic devices or where protection is needed from



Can ethernet speed be affected by router? : r/HomeNetworking

I'm currently running a gigabit router (Asus RT-AC1200G+) with a less than 1 meter long cat6 cable directly into my PC. I get stable gigabit speeds over LAN. The router is connected to my ISPS fiber

Fiber Optic Cable Buying Guide , Eaton

Fiber Optic Cable Buying Guide Choosing single-mode or multimode fiber for high-performance



data networking and telecommunications Fast data transmission,



Fiber Router vs. Normal Router

Fiber routers are known for their reliability, as fiber optic cables are less prone to interference and signal degradation compared to traditional copper cables used in normal routers. This means that fiber

Choosing Between Fiber and Ethernet for Your Network

Fiber Optic vs. Ethernet Cables: Which One's Right for Your Network? Ever wondered why your gigabit connection still experiences latency during media streaming or data transmission? The issue might



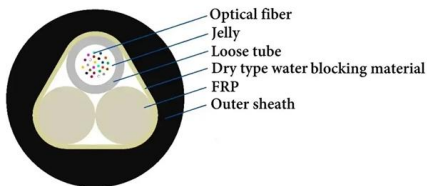
The Best Fiber Optic Router for Gigabit Speeds

How Do Fiber Optic Routers Work? What these cables do is carry thousands of signals and transfer them over long distances at lightning speed without altering their quality or amount. This



What is FTTC broadband and how does it work?

What is FTTC broadband? Fibre-to-the-cabinet (FTTC) broadband or VDSL is a type of internet connection that uses fibre



Ethernet over Fiber: Advantages and Disadvantages

Explore the benefits and drawbacks of Ethernet over fiber optic Ethernet, comparing it to traditional copper Ethernet implementations for network communication.

Optimize Fiber Internet Speed

Optimize your fiber-optic internet with tips on hardware, router placement, and troubleshooting for top speeds.



Fiber vs. Cable Internet: Compare Options and Providers

Fiber vs. Cable: Compare the benefits and differences between fiber optic and cable internet. Explore speed, reliability, and performance factors to



10 Best Optical Fiber Router: In-depth Reviews

For connecting your home network to fiber, it is very important for your router to have a support for Gigabit Ethernet speeds and to have the ability to



How many devices can fiber-optic internet accommodate? , Ziplly Fiber

Fiber internet offers more bandwidth potential than cable. On the bandwidth and speed front, fiber already has a leg up on performance over cable. Read more: [Speed vs. bandwidth: what's](#)



I upgraded to Wi-Fi 7 and it convinced me to finally ditch cable

I just didn't think that one upgrade would lead to another. Here's how my experience upgrading to Wi-Fi 7 went and why doing



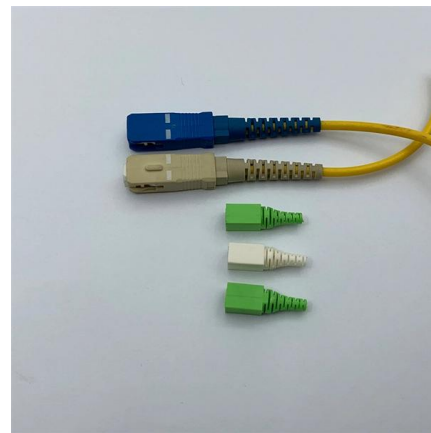


Fiber Optic Internet - A Complete Guide , Learn , Hitron

Learn > Cable Modem & Routers > Fiber Optic Internet - A Complete Guide This Fiber optic Internet guide will give you high-level information about everything you

How to Connect Fiber Optic Cable to Router: Complete

By following this detailed guide, you've not only learned how to connect fiber optic cable to router properly but also how to optimize and maintain



Understanding Common Fiber Internet Problems and

By understanding and addressing common fiber optic problems, network administrators can ensure that their systems remain robust, efficient, and capable

Can I Connect a Fibre Optic Cable to Wireless Router?

Fibre optic cables are less prone to interference and signal loss. Fiber optic internet transmits data using light through glass or plastic fibers, allowing for



Is Quantum Fiber Internet Good? Honest Review

Is Quantum Fiber internet worth it? See real speeds, pricing, pros, cons, availability, and how it compares to cable and 5G home internet.



Determining Fiber Optic Compatibility with Routers: A Comprehensive

Learn how to determine the compatibility of fiber optic cables with routers, including the process of installing a fiber converter in an ISP box and connecting using female-female connectors.



The 6 Best Wi-Fi Routers For Fiber Internet

Want the best Wi-Fi router for your fiber internet connection? Here are the six best options currently on the market.





Optimize Fiber Internet Speed

Compatibility with Fiber-Optic Speeds: Devices should support gigabit speeds with plenty of Ethernet ports so that wired devices have access to your connection's top speed.

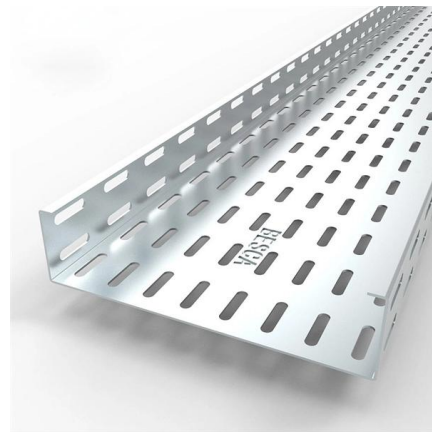


The Best Routers for Fiber Optic Internet , Money

The best router for fiber optic internet will deliver the fastest internet speeds, offer great features and work with multiple devices.

Fiber Optic Cables: Advantages, Disadvantages, and

Explore the technical aspects of fiber optic cables in this comprehensive guide. Learn about their advantages, disadvantages, and various



Best Routers For Fiber Optic Internet Connections And Home

Fiber optic internet has revolutionized the way we experience online connectivity, offering unparalleled speeds and reliability, but its full potential can only be unleashed with the right



Hyperoptic , Full Fibre Optic Broadband Provider

Hyper Fast & Hyper Reliable Full Fibre Broadband. Accelerate with equally fast upload and download speeds on our 150 Mb to 1Gb packages. Check out our



What are the Benefits of Fiber Optic Cables?

CommScope fiber optic cables deliver high-speed internet superior reliability and scalable broadband infrastructure for future-ready networks and data centers.

What Is A Gigabit Router? (Explained)

A gigabit router works with cable and fiber optic Internet and is generally more expensive than its predecessors. It can offer considerably faster





What affects Internet speeds

First, we pull a fiber optic connection directly to your home and connect it to a Fiber Jack. Then, the Network Box or router takes the gigabit connection from the Fiber Jack and distributes the ultra-fast

Top 6 Advantages and Disadvantages of Fiber Optic

Explore the top 6 advantages and disadvantages of fiber optic cable over copper, such as increased bandwidth, low attenuation, immunity to



Contact Us

For datasheets, pricing, or custom telecom energy solutions, please visit:
<https://www.koskolong.co.za>