



**Adam Tas Corridor Energy**

# **Are the interfaces on the GE switch optical ports**





## Overview

---

The Brocade 7800 Extension Switch is configured with eight GE ports: two extensions RJ45 copper GbE ports and six optical ports that support SFP+ transceivers. Users may find that the physical interface in a Juniper Networks EX or QFX Series Switch is not listed in the show interface command output. In this article, you will find the steps to troubleshoot this problem when it occurs.



## Are the interfaces on the GE switch optical ports

---



### [EX/QFX] Physical Interface is not listed in "show interface" command

Users may find that the physical interface in a Juniper Networks EX or QFX Series Switch is not listed in the show interface command output. In this article, you will find the steps to

### GE Interfaces

Even though the GE interface might show FCIP, it is a WAN side interface that supports both FCIP and IP Extension. Output from a switchshow command shows FCIP as the protocol when a GE interface



### xe and ge on the same interface? : r/Juniper

Say SFP28 ports can be "ge-", "xe-" or "et-". You can configure all of these at any given time, but the module (SFP/SFP+/SFP28) will determine the speed, and thus which interface name is correct at

### PA-GE Gigabit Ethernet Port Adapter Installation and

The PA-GE (see Figure 1-1) is a single-port port adapter that, when combined with the



appropriate optical fiber cable and a Gigabit Interface



### **Campus Switches RG-SF2920-16GT2SFP 16-Port GE All-Optical Switch**

RG-SF2920-16GT2SFP 16-Port GE All-Optical Switch, 2 × Gigabit Uplink Optical Ports Various port combinations, rate increase, installation in a concealed telecommunication box, recommended for

### **Interfaces User Guide for Switches**

Switches Interface Basics: Learn about Switch Interfaces, Physical Interface Properties, Logical Interface Properties, Damping Interfaces, and Loopback Interfaces in the Interfaces



### **Differences Between Switch Optical Ports and Electrical**

Electrical ports on switches are equipped with integrated electrical port modules, eliminating the need for optical-electrical conversion. The interface



## What is Differences Between Switch Optical Ports and Ethernet Ports

Ethernet ports on switches already integrate Ethernet port modules internally, eliminating the need for optical-electrical conversion. These ports utilize RJ45 interfaces and simply require

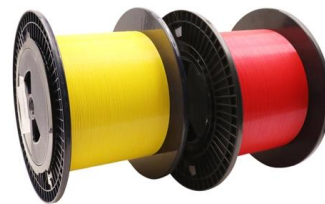


## Campus Switches RG-SF2920-16GT2SFP-P 16-Port GE All-Optical PoE Switch

RG-SF2920-16GT2SFP-P 16-Port GE All-Optical PoE Switch, 2 × Gigabit Uplink Optical Ports  
Various port combinations, rate increase, installation in a concealed telecommunication box, recommended

## EX fiber ports : r/Juniper

You have to have an optic in the port to show up in show chassis hardware. If it doesn't show the optic, then the switch did not recognize the optic. Once you see the optic, it will show up in show interface



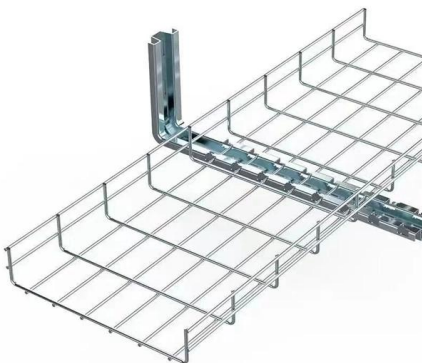
## Configuring GE Mode on the Brocade 7810 Extension Switch

The Brocade 7810 Extension Switch is configured with eight GE ports: two extensions RJ-45 copper GbE ports and six optical ports that support SFP+ transceivers.



### Q about xe ports , Switching

The ex2300-c has only two ports that are capable of 10G. They are the sfp+ ports and are on pic 1 so the interface names would be xe-0/1/0

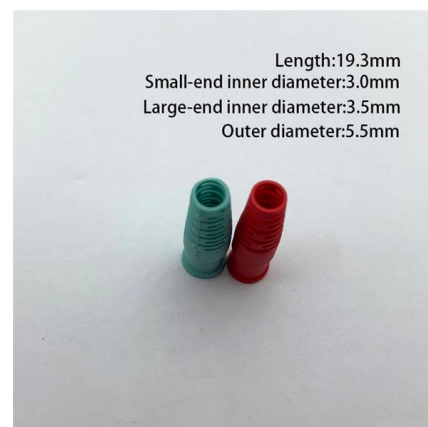


### ES5D000X4S01 (4-Port 10GE SFP+ Front Optical Interface Card)

Card Overview The ES5D000X4S01 provides four 10GE SFP+ optical ports for data access and line-rate switching. It can be installed in a front card slot of the switch models listed in Table 9-10.

### Cisco Catalyst 1300 and 1300X Series Switches

The Cisco Catalyst(TM) 1300/X Series Switches are affordable, simple-to-use switches designed and built for enterprise branch offices as well as SMB





## View the Optical Module Status on a Switch through the

This article provides instructions on how to view the Optical Module Status on your switch through the Command Line Interface (CLI).

### Gigabit Switch Fibre Transceiver CommercialGrade Ring Network Switch

Brand Name OEM Place of Origin China Warranty Time 1 YEAR Port 2 optical,3 electrical Power - Minimum Receivable -8 Frequency Range 1310/1550NM Product name Gigabit Switch Application



### GE Interfaces

GE interfaces default to FCIP, which is a legacy designation for WAN. Even though the GE interface might show FCIP, it is a WAN side interface that supports both FCIP and IP Extension.

### Connectrix Brocade: Facing error Command error issue , Dell US

The Brocade 7800 Extension Switch is configured with eight GE ports: two extensions RJ45 copper GbE ports and six optical ports that support SFP+ transceivers. GE0 and GE1 are always in copper mode



## What do the G port, F port, E port and S port of the switch

When selecting or configuring a network switch, you often encounter ports labeled G, F, E, and S. Understanding the differences between these port



## What Is an SFP Port on a Gigabit Switch?

An SFP port (Small Form-Factor Pluggable port) on a Gigabit switch is a dedicated slot designed to support SFP modules, enabling flexible data



## Configuring GE Mode on the Brocade 7810 Extension Switch

Switching between copper and optical operation is a nondisruptive operation. The switch does not reboot. During a mode switch, no configurations can be present on the GE ports. If a configuration





## The Ultimate Guide to SFP Modules (2026): Types,

What is an SFP? SFP (Small Form-factor Pluggable) is a compact, hot-pluggable network interface module used to connect network devices (switches, routers,

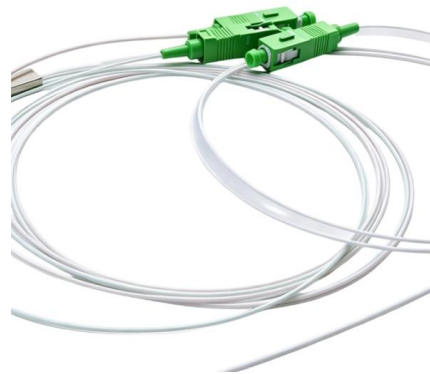


## Cisco GLC-GE-100FX: 100BASE-FX SFP for Gigabit Ports

GLC-GE-100FX is Cisco's 100BASE-FX SFP module for Gigabit Ethernet ports. Uses SGMII to present a 100M optical lane on a GE port over 2 km MMF.

## GLC-GE-100FX vs GLC-FE-100FX Which to Use?

If your switch is 10/100/1000 then you can run a GE SFP, but if your switch is 10/100 then you can't run a GE SFP. The 2960 you get will be either GIG capable on the uplink or not.



## ES5D000G4S01 (4-Port GE SFP Front Optical Interface Card)

Card Overview The ES5D000G4S01 provides four GE SFP optical ports for data access and line-rate switching. It can be installed in a front card slot of the switch models listed in Table 9-17.



## Huawei Ethernet Switch & Network Switches Solutions

Thunder link offers various models of Huawei Ethernet switches and network switches, including the S5720, S6720, S6730, CE6800 and CE12800, designed



## Uplink ports not appearing on EX4100 even after using "request

Do you have optics inserted in the SFP+ ports you'd like to use? Once they are, you should see them.

## EG8240H5, Huawei EchoLife Series ONT, 4GE/2POTS

Deploy Huawei EG8240H5 EchoLife ONT with 4 GE and 2 POTS ports for FTTH voice and data services. Buy Huawei fiber ONT online. Global Shipping & Tech





## Contact Us

---

For datasheets, pricing, or custom telecom energy solutions, please visit:  
<https://www.koskolong.co.za>