



# Argentina Explosion-proof Distribution Box Price List



Simplex LC UPC





## Argentina Explosion-proof Distribution Box Price List

---



### Atex Certified Junction Boxes, Terminals, Sockets &

Explosion Proof Junction Box / Connectors These explosion proof junction boxes / terminal boxes, plugs, sockets & connectors are for use in explosive atmospheres

### 5 Key Factors to Consider When Selecting Explosion Proof Distribution Boxes

Selecting explosion-proof distribution boxes protects the safety of your staff in any potentially hazardous workplace. HEXLON stands out as a trusted provider of explosion-proof



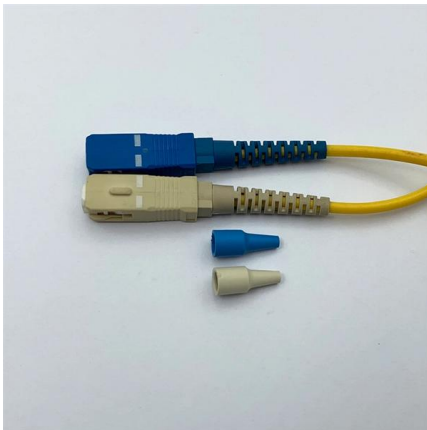
### Principle and applicable area of explosion-proof distribution box

Because when explosion-proof distribution boxes are properly specified, installed, and maintained, they become invisible guardians. They represent the quiet professionalism of engineers

### Modelo y precio de la caja de distribución a prueba de explosiones



Las cajas de distribución antideflagrantes son bastante más caras que las estándar, suelen tener un precio basado en los diagramas de cableado. El diseño de las cajas antideflagrantes

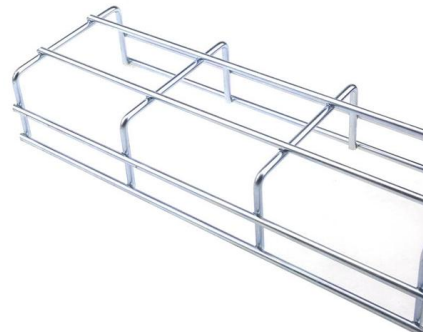


## Distribution Boxes - WAROM Dubai , WAROM UAE

Showing all 7 results BXM (D)53 Series

## BM (D)X-Series Explosion Protected Distribution Box

BM (D)X-Series Explosion Protected Distribution Box Explosion protection -IECEX (IEC) -ATEX (CENELEC,EN) -China Ex (GB) Application in hazardous area



## Argentina Explosion-Proof Equipment Market to 2032

The Argentina Explosion-Proof Equipment Market was valued at 81.64 USD Billion in 2024. The Argentina Explosion-Proof Equipment Market is likely to grow at a CAGR of 6.75% during the





## Explosion-Proof Distribution Box

The distribution box (explosion-proof) is an aluminum alloy housing, electrostatic spraying, in accordance with the explosion-proof provisions of GB3836.2-2000,



## Ex Junction Boxes and Atex Enclosures · Atex Delvalle

Our Atex Delvalle's Ex junction boxes and large enclosures are flameproof and prepared for use them in explosive atmospheres zones 1,2,21 and 22. ATEX

## Strategic Projections for Explosion-Proof Distribution Box Market

Explosion-proof distribution boxes are available in various sizes, materials, and configurations, catering to diverse applications and safety requirements. Common materials include



## HRMD91 Explosion proof Distribution Box (Ex d IIB+H2)

HRMD91 Explosion proof Distribution Box  
Explosion protection to - IEC - CENELEC - NEC  
Can be used in Zone 1 and Zone 2 Zone 21 and Zone 22 Class I, Zone 1



## Explosion proof distribution box

Explosion-Proof Distribution Box (EDB) Built to safely house electrical components in explosive atmospheres, this enclosure prevents internal sparks or explosions from igniting external hazardous

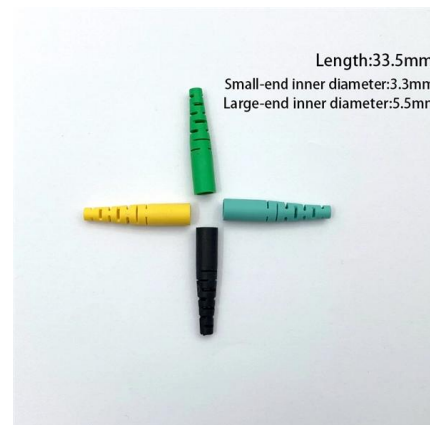


## Explosion-Proof Distribution Box Market -

The explosion-proof distribution box market is driven by high-risk sectors where flammable gases or dust can exist, requiring equipment that prevents ignition and meets stringent

## Terminal boxes , Junction boxes , Ex , Ex e , Ex d , ATEX , Explosion

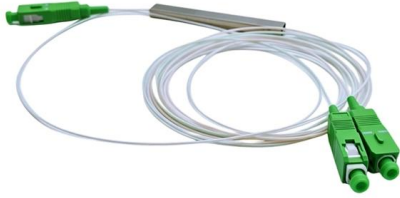
Safely conduct, connect and distribute energy in hazardous areas with R. STAHL's terminal boxes. We offer bespoke, custom-made terminal boxes and terminal box combinations, as well as standard





## Argentina Explosion Proof Equipment Market Size & Outlook

This country databook contains high-level insights into Argentina explosion proof equipment market from 2021 to 2033, including revenue numbers, major trends, and company profiles.



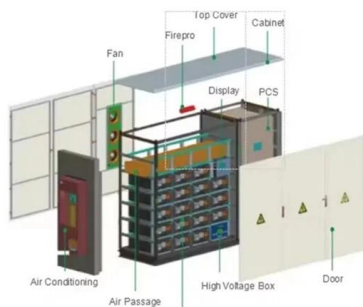
### Explosion proof distribution box

Find reliable explosion proof distribution boxes for safe and efficient electrical control in hazardous environments. Shop our durable, IP66-rated solutions.



### Argentina explosion-proof power distribution cabinet Market

The growth of the Argentina explosion-proof power distribution cabinet market is primarily driven by increasing industrialization and expanding oil and gas exploration activities.



### Explosion Proof Illumination Distribution Boxes (With

Flameproof and explosion proof, these power overhaul distribution boxes are suitable for use in hazardous areas. Specs: Ex mark: Ex de IIC T4 Gb DIP A21 TA,T4



## Distribution box solutions for explosion-proof environments in

Explosion-proof distribution boxes represent where regulatory wisdom meets engineering excellence. What appears as simple protective enclosures are actually sophisticated safety systems honed



## Model and Price of Explosion-Proof Distribution Box

8. BXS Series Explosion-Proof Maintenance Power Socket Boxes Price Calculation: 1. Understand the components of a standard distribution box,



## Explosion Proof Distribution Boxes

Explosion proof distribution box components for use in hazardous areas - Zone 1 and 2; Zone 21 and 22.

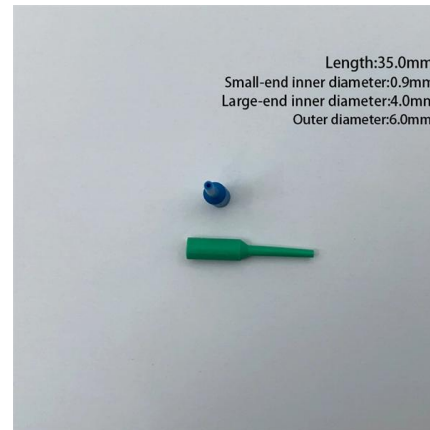






## Explosion Proof Junction Box Types, Prices

Learn about explosion proof junction boxes--pricing, sizes, certifications, and installation tips for electricians and engineers. Shop certified



## Contact Us

---

For datasheets, pricing, or custom telecom energy solutions, please visit:  
<https://www.koskolong.co.za>