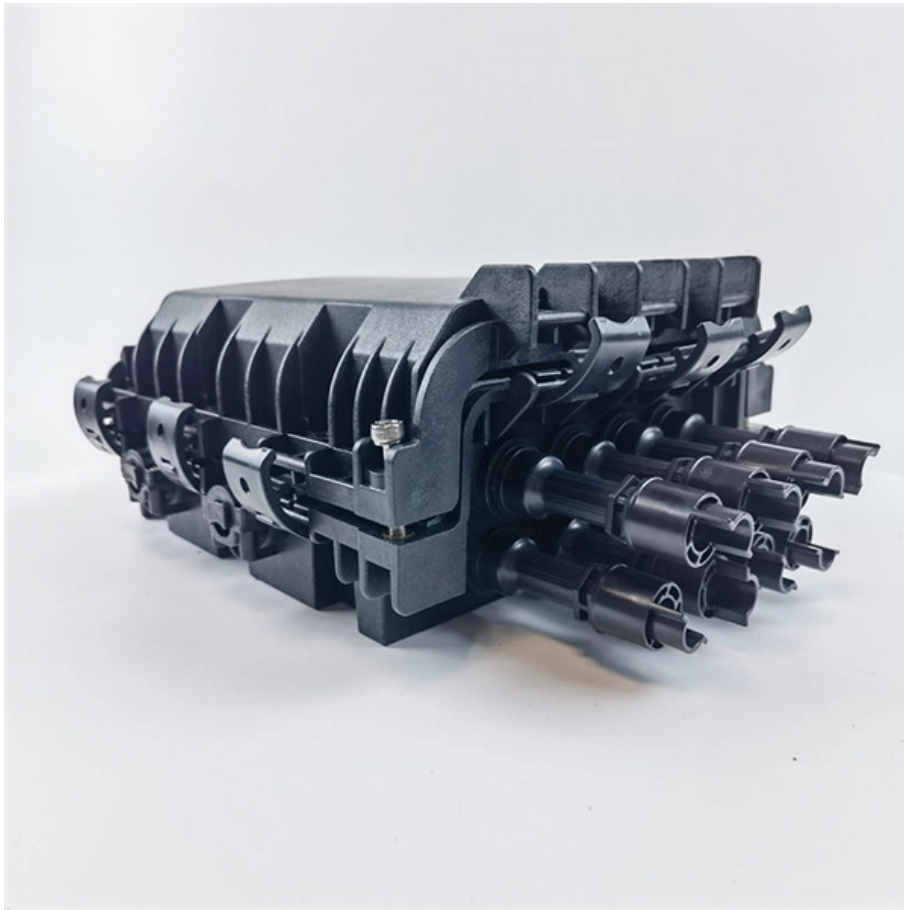




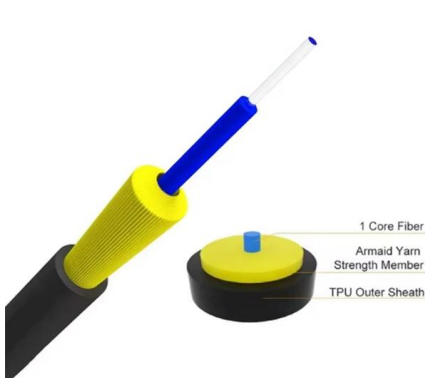
Adam Tas Corridor Energy

Australian Fiber Optic Enterprise Router OSFP





Australian Fiber Optic Enterprise Router OSFP



Ultrafast Aussie Fibre Business Internet , Aussie

Turbocharge your business by upgrading to the Aussie Fibre network, and enjoy speeds up to 10000Mbps, with plans starting from just \$299/month. Request a

AFL

Prepare and load two fibers simultaneously while automated fiber-length adjustment, alignment, and setup help eliminate rework, reduce prepping time, and minimize



Redtrain , One of Australia's leading wholesale internet

We design, deliver and construct super fast optical fibre networks. We supply high quality bandwidth so your end users may seamlessly connect and stay

FLEXOPTIX Universal Transceivers

Flat-Top OSFP Transceiver (needs port with riding heat sink) For 400GBASE-DR4 Ethernet links
Integrated Clock-Data-Recovery (CDR) PAM4



modulated signal OSFP with flat top according to



The Network DNA: Networking, Cloud, and Security

Master networking, cloud, and security with in-depth analysis, tutorials, and research. Stay ahead of the curve with our expert tech blog.

Fibre Optic Internet Plans

Fiber-optic internet uses light signals to transmit data through cables, allowing for faster speeds, lower latency, and higher reliability than traditional copper-based connections like DSL or cable.



Open Shortest Path First (OSPF)

Learn how the Open Shortest Path First (OSPF) protocol is used to optimize routing in large networks by finding the most efficient routes to direct traffic.



The Ultimate Guide to OSFP Transceivers: Unveiling

Dive into the complexities of OSFP transceivers for 400G optical connectivity with Fibermall's ultimate guide.



Home

The Powered Fibre product suite delivers power and data over long distances via fibre-optic technology. Ideal for security cameras, Wi-Fi, and networked devices,

Fibre Optic Supplier Australia , Anderson Corporation

Trusted fibre optic supplier in Australia since 1988. Anderson Corporation provides cables, SFPs, test equipment & connectivity solutions.



Fibre Optic Transceiver Solutions in Australia Cloudtronics

Fibre optic transceiver solutions in Australia for fast, reliable networks. Explore SFP, SFP+ and QSFP modules from Cloudtronics.



Open Shortest Path First (OSPF) Protocol Fundamentals

This makes OSPF faster, more scalable and more efficient, making it widely used in large enterprise and service provider networks. Open Shortest



A Comprehensive Guide to 400G OSFP Ethernet

Comprehensive Product Portfolio In addition to 400G OSFP Ethernet transceivers, NADDOD offers a full range of 1.6T, 800G, 400G, 200G, and 100G

Home o Opticomm o Built on better

One fibre at a time, we're driving a movement to help Australia connect faster We're serious about building world-class fibre networks and solutions that keep you





OSFP Connector Guide: 400G and 800G Modules,

OSFP AOC Cables: Active Optical Cables for Medium-Reach Data Center Applications OSFP AOC uses multimode fiber for 30-100m reach at

Cisco OSFP 800G Transceiver Modules Data Sheet

It is compliant with IEEE 802.3 800GBASE-VR8 and OSFP MSA module requirements with integrated heat sink. Optical signals are carried over



OSFP vs. QSFP vs. SFP: Which Is Right for You?

Confused about the differences between OSFP, QSFP, and SFP? This guide explains their distinct features, applications, and helps you choose the

Main Home

Our intelligent factory boasts a fully integrated suite of enterprise systems, which provide real-time tracking, enabling end-to-end product traceability. We have



OSFP Connector: Ultimate Guide to Amphenol and TE

Discover the ultimate guide to Amphenol and TE Connectivity solutions for OSFP connectors and cage, cable assemblies, and interconnect



What Is OSPF and how does it work: OSPFv2 and OSPFv3

It is a go-to protocol in enterprise environments due to its support for hierarchical area design and vendor interoperability. At its core, OSPF builds a complete view of the network by exchanging link



SFP, SFP+ & QSFP Compatibility Guide: Aruba, Juniper, Fortinet

Blue Cable Co compatible transceivers for Aruba, Juniper, Fortinet, Arista & more. Australian stock, 5-year warranty. Compare OEM vs Blue Cable Co.





Arista OSFP-400G-SRBD-Arista , 400G OSFP Transceiver,

The Arista OSFP-400G-SRBD is a software-configurable 400GBASE-SR4.2 optical transceiver designed for high-speed data center connectivity. It supports point-to-point 400GE links or can break out into



Optical Systems Design (OSD)

Optical Systems Design (OSD) is an innovative Australian company providing cost effective communication systems solutions based on optical fiber technology.

Cisco OSFP 800G Transceiver Modules Data Sheet

The OSFP 800G transceiver modules are Cisco's new generation of pluggable transceiver modules based on the OSFP specification. They offer



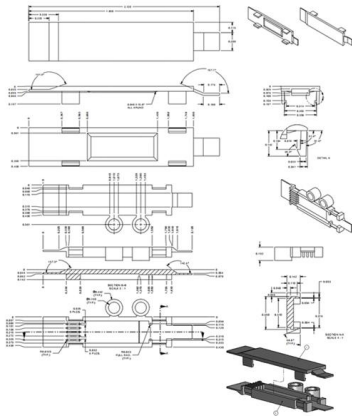
About Fibre Optic Systems , Australian Fibre Optic Experts

Meet Fibre Optic Systems We provide fibre optic products and solutions tailored to a variety of industries such as Telecommunications, Infrastructure, Enterprise and



Understanding OSFP Cable Assemblies: The Key to

OSFP in Cloud Computing and Enterprise Networks The interconnect solution for cloud computing and business networks, OSFP (Octal small form



OSFP Guide

The OSFP DR4 transceiver is used for transmission up to 500m over parallel singlemode fiber. Utilizing 4 optical pairs of 1310nm, each optical channel operates at 200Gb/s PAM4, resulting in a total of 8

OSPF Basics: How OSPF Works and Why It Matters

OSPF is the link-state protocol that runs most modern enterprise networks. Here is how it works, why it beats distance-vector protocols, and where





Business Fibre Plans , FireNet

Business Fibre Internet provides high-speed connectivity using fibre-optic cables, ensuring faster and more reliable data transfer tailored for business needs.

Contact Us

For datasheets, pricing, or custom telecom energy solutions, please visit:
<https://www.koskolong.co.za>