



Adam Tas Corridor Energy

Belarusian laser diode models





Overview

Description: 980 nm, Fabry-Perot, 15 mW CW, fiber: SM, PM, MM Description: 1550 nm, Fabry-Perot, 1. Scientific-Production Unitary Enterprise "Scientific and Technical center "LEMT" BelOMO " was created on June the 02nd, 1992 as a result of structural reorganization of one of the divisions of the Belarusian optical and mechanical Association, the flagship of the optical-electronic engineering of. Any user of this site is welcome to upload data sheets for products they use and recommend. Market Forecast By Wavelength (Infrared Laser Diodes, Red Laser Diodes, Blue Laser Diodes, Blue Violet Laser Diodes, Green Laser Diodes, Ultraviolet Laser Diodes), By Technology (Double Hetero Structure Laser Diodes, Quantum Well Laser Diodes, Quantum Cascade Laser Diodes, Distributed Feedback. Our lightweight and compact laser diode, SLD and photodiode modules are applied in stationary and portable optical fiber equipment in the most demanding areas such as: metrology.



Belarusian laser diode models



Microsoft Word

Diode lasers with carrier waveguide were considered as an idea to control modes in lasers with wide waveguides. It was shown that carrier single mode waveguide inserted in QWSCH can be effective

Diode Lasers: Definition, How They Work, Types,

Laser diodes are widely used across various industries, including telecommunications, material processing, and medical treatments. This article will



A comprehensive equivalent circuit model for the study of thermal and

However, they have not included the thermal effects and transient chirp in their model and restricted their study for static laser operation only. Recently Jou et al. have reported a unified



Diode Laser_Products_BWT

BWT has design, development and manufacturing experiences of nearly 20 years in the field of fiber coupling diode lasers. Such diode lasers can be widely applied to

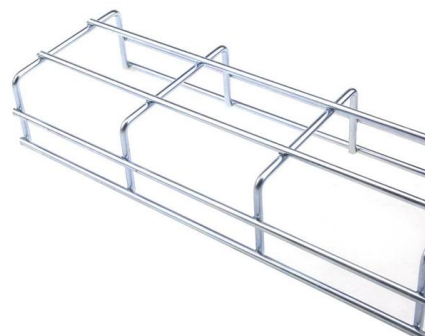


Laser Diode

A laser diode (LD) is defined as a forward-biased semiconductor diode that emits coherent light when an electrical current stimulates recombination of electrons and holes at the p-n junction. It consists of

Laser diode wavelength // Belarus

One of the ways we help our community of laser scientists and engineers find the best products for their projects is by hosting a free Open-Index product database. All manufacturers are also welcome to



Belarus Hi Tech Park

Our lightweight and compact laser diode, SLD and photodiode modules are applied in stationary and portable optical fiber equipment in the most demanding areas such as:



Integrated Technics , Lemt

laser rangefinders and rangefinder modules based on diode lasers, diode-pumped lasers and lasers with a safe radiation wavelength (measuring range up to 40



Fiber-coupled Laser Diode , Belarus , LasersCom

We developed the laser diode modules with record coupling efficiency and thermal stability of optical power, and photodiode modules with excellent return losses,

FOLM-DM_en

Fiber-optic laser diode module FOLM-DM is one of the key components of fiber-optic microwave photonic devices and systems and is designed for electro-optical conversion of the input microwave





Belarusian Optical & Laser Industry

Belarusian optical industry has a great tradition. This was proved by the latest revolution in optical manufacturing brought from Belarus - MagnetoRheological Finishing (MRF). The technology was



Laser Diodes from Manufacturers in Belarus

86 Laser Diodes from 1 manufacturer listed on GoPhotonics. Search by specification. Selected filters - Country : Belarus, Page-1.



Laser Diode Drive Circuit Design Method and Spice Model

Laser Diode Drive Circuit Design Method and Spice Model ROHM offers laser diodes (LDs) for Light Detection and Ranging (LiDAR). This application note will introduce ROHM's LD line-up and show

Belarus Laser Diode Market (2025-2031) , Trends, Outlook & Forecast

6Wresearch actively monitors the Belarus Laser Diode Market and publishes its comprehensive annual report, highlighting emerging trends, growth drivers, revenue analysis, and forecast outlook. Our



Laser Diodes Explained: From Light Source to Everyday

Unlock the secrets of laser diodes! Explore how they work, their construction, different types, and surprising uses in everyday tech - from CD



Category:Belarusian female models

Pages in category "Belarusian female models"
The following 13 pages are in this category, out of 13 total. This list may not reflect recent changes.



Groups.io: Powerful Email Groups & Collaboration Platform

Groups.io: Powerful Email Groups & Collaboration Platform





Integrated Technics , Lemt

The company specializes in research, development, production and modernization of optoelectronic and laser devices for civil purposes.

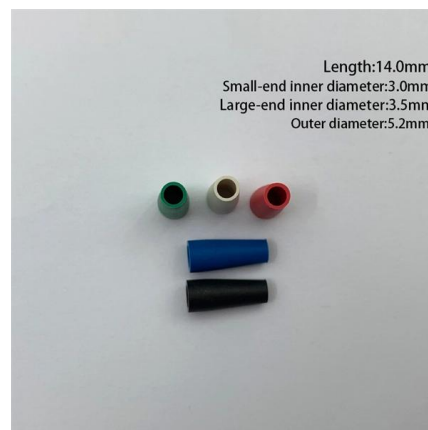


For a country abroad: how Belarus produces high-demand laser

Two years ago, an export-oriented production of optical components and diode-pumped laser systems of a new generation was organized here.

Laser Diode Selection Guide (ALL MANUFACTURERS)

We try to help our community of laser scientists & engineers find the best products for their projects by hosting a free Open-Index product database with lasers from all manufacturers. Manufacturers can



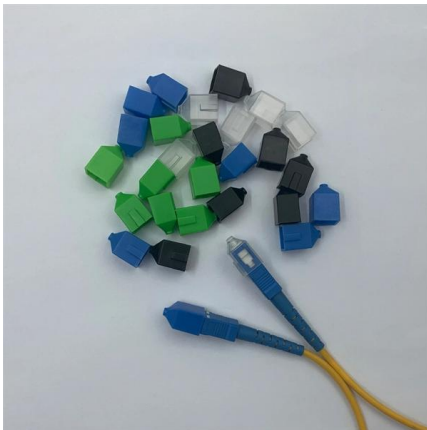
For a country abroad: how Belarus produces high-demand laser

About a hundred different diode-pumped laser emitters have been developed, manufactured and delivered to customers at the Center for Laser Technology and Technologies. The



Laser Diodes: A Comprehensive Guide

Explore the world of Laser Diodes with our comprehensive guide. Learn about their groundbreaking uses, types, and benefits. Transform your knowledge today!



L. BUROV , associated professor , PhD , Belarusian

Results obtained for a one-dimensional model of a single-mode laser and a model with parameters averaged over the resonator volume (point model) were compared.

Quality Diode Laser Module & Fiber Coupled Diode

China leading provider of Diode Laser Module and Fiber Coupled Diode Laser, BWT Beijing Ltd. is Fiber Coupled Diode Laser factory.





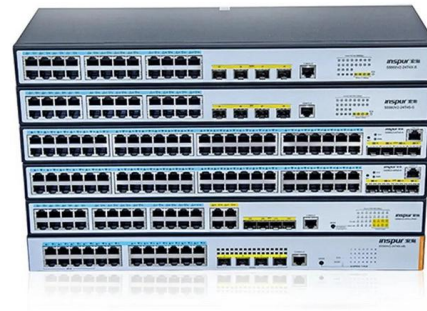
Belarusian Planar to design unique laser equipment model , Business

MINSK, 27 July (BelTA) - The precision engineering holding company Planar will design a new laser equipment model, which is unparalleled in the world, as part of a project financed by the Belarusian



Belarusian-Russian Workshop SEMICONDUCTOR LASERS AND

The Workshop is organized by B.I. Stepanov Institute of Physics of the National Academy of Sciences of Belarus. The Workshop traditionally consists of reviews, contributed oral reports and posters in a



Laser Diode

A laser diode is a small semiconductor gadget that produces strong and precise light emissions through a cycle called stimulated emission. These

Laser and Optical Industry of Belarus

Solar Laser Systems - focuses on the development and manufacture of solid-state lasers and laser systems. The company supplies a wide range of optical components as well as laser and nonlinear



All the Top Laser Diode Brands & Wavelengths (SHOP)

LASER DIODE SOURCE , Wavelengths 370nm to 15,000nm, Shop ALL THE LEADING LASER DIODE BRANDS, Selection Guide & Online Shop

Contact Us

For datasheets, pricing, or custom telecom energy solutions, please visit:
<https://www.koskolong.co.za>