



Adam Tas Corridor Energy

Bend in butterfly-shaped fiber optic cable





Bend in butterfly-shaped fiber optic cable



Fiber Optic Cable Bend Radius and Signal Attenuations

A fiber cable's bend radius and is crucial for ensuring optimal performance and longevity of any fiber optic network installation and infrastructure.

Four -end connection methods of butterfly -shaped optical fiber optic

In this article, we will discuss the four-end connection methods of butterfly-shaped optical fiber optic cables, including fusion splicing, ribbon splicing, connectorization, and pre-terminated



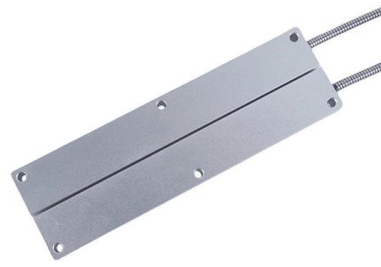
Butterfly cables, Butterfly fiber optic cables

Butterfly Fiber optic cables are specifically designed for use in indoor environments, often in confined spaces such as inside buildings or data centers. They are



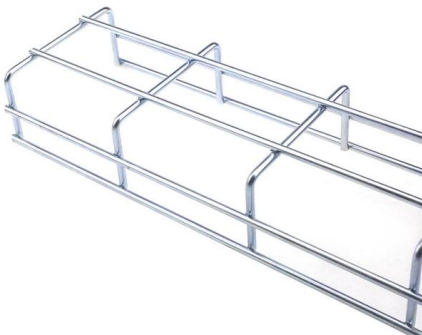
CN217426440U

The utility model relates to an optical cable field especially relates to a resistant compound butterfly cable of butterfly photoelectricity of



Pipeline Butterfly-shaped Introduction Optical Cable(GJYXFHS)

For conduit entry of optical cables, the butterfly introduction places the communication unit at the center, with two parallel non-metallic strength members (FRP) placed on both sides.



How To Bend Fiber Optic Cable?

Bending fiber optic cable requires careful attention to avoid damaging the fibers and compromising signal quality. Here's how to bend fiber optic cable properly: 1. Follow the Minimum



Mastering the Technical Specifications of Butterfly Fiber Optic Cable

The bending radius of a fiber optic cable is a crucial specification that directly impacts its performance and longevity. The GD_X702's design, featuring a flat, butterfly-shaped profile, allows for





FTTH Butterfly Optic Cables: A Comprehensive Guide

As the name suggests, FTTH butterfly optic cables are so - named due to their cross - sectional shape, which resembles the wings of a butterfly. These cables are a type of fiber optic



Still Worried About Bend Radius? Come and See the

FTTx networks are the impetus for the adoption of fiber cables. During installation of these cables, more attention is focused on the effects of

FTTH Butterfly Optic Cable

The Multi Loose Tube Non-Metallic Fiber Optic Cable is designed for outside plant, which is prone to electrical interference.



Fiber optics FAQs: the advantages, bend radius explained and more

Thinking of running fiber optic cable? Understand what the advantages are, the importance of bend radius and how else you can provide protection.



Is it OK to bend a Regular Optical Fiber Cable?

One of the most common concerns amongst the installation of fiber cables is related to the possibility of bending a fiber cable or not. Worrying about



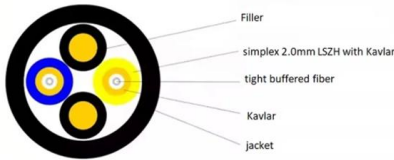
Indoor butterfly covered optical cable: from definition to application

Indoor butterfly-shaped fiber optic cable has the advantages of light weight, small outer diameter, good flexibility and bending performance. It is suitable for laying in a small space and

Fiber Optic Cable Bend Radius or Diameter

Fiber Optic Cable Bend Radius or Diameter All fiber optic cables have specifications that must not be exceeded during installation to prevent irreparable damage to





Fiber Optic Cable Bend Radius: What Is It & Why It Matters

Worried about damaging fiber optic cables during installation? Learn how to calculate fiber optic cable bend radius to protect your network.

Manage Bend-radius in Cables » SENKO Advanced

In densely packed environments like data centers or telecommunications facilities, fiber cables require precise management to avoid excessive stress, maintain



02

High Quality Material



High hardness to resist external impact, Good Shaping Performance, Good Look and Anti-rust



FTTH Butterfly Optic Cables: Practical Design, Installation, and

FTTH Butterfly Optic Cables are specifically designed to meet the growing demand for high-speed fiber-to-the-home deployments. Their flat, butterfly-shaped structure combines optical

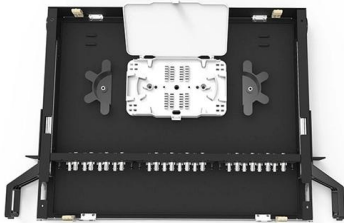
ELI5: How do fibre optic cables bend? : r/explainlikeimfive

Fiber optics is essentially pure silica, it's heated and compressed and cooled while stranded (or drawn). The crystallization is more resilient, and orders of magnitudes smaller. that said, much of the fiber



What is Fiber Optic Bend Radius: A Beginner's Guide

Grasp the definition and importance of Fiber Optic Bend Radius for efficient cable installations. Here's a detailed guide for you!



Butterfly cables, Butterfly fiber optic cables

As a manufacturer and supplier of butterfly cables, we specialize in producing cables that are easy to handle, highly flexible and bendable. They are typically designed



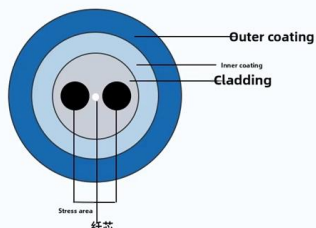
Maintain the performance of polarization maintaining fiber

Accurate refractive index distribution

Good longitudinal uniformity

Optical fiber environment performance is stable

The cross-sectional area has good symmetry



Butterfly -shaped optical fiber optical cable

Fusion splicing is a popular method of connecting butterfly-shaped optical fiber cables. It involves welding two fiber cables together using heat. The



How Do Fiber Optic Cables Bend Light? - Fiber Optic Blog

Fiber optic cables are useful because they use light, rather than electricity, meaning that other electronic devices in the area will not cause them interference. Many large-scale scientific



The Risks of Excessive Bending in Fiber Optic Cables

Avoiding Damage from Excessive Bending in Fiber Optic Cables Fiber optic technology is integral to high-speed communication networks, but it requires

From Installation to Longevity: A Complete Guide to FTTH Butterfly

Learn how to install FTTH butterfly optical cables correctly, avoid common mistakes, and maximize service life with practical maintenance strategies.



What is the Bend Radius & Durability of Fiber Optic Cable?

While fiber optic cable is lightweight and much smaller than copper cable, it's surprisingly durable.



What Are FTTH Butterfly Optic Cables and Why Are

Made from high-quality materials such as glass and coated fibers, FTTH Butterfly Optic Cables are built to withstand various environmental factors.



FTTH - Round Drop Armoured Butterfly-Shaped Cable

Briticom ® offers Armoured Butterfly-Shaped Cable as well as a wide range of indoor and outdoor fibre optic distribution, patching and consumer cords including



Contact Us

For datasheets, pricing, or custom telecom energy solutions, please visit:
<https://www.koskolong.co.za>