



**Adam Tas Corridor Energy**

# **Blank board for distribution box**





## Blank board for distribution box

---



### Distribution Box Guide: Types, Components & Solutions

Understand distribution boxes (DB boxes) in 5 minutes. Learn about types, components, functions, and uses. Find the perfect DB box for your needs.

### Contactum Defender Polycarbonate & ABS Plastic

Designed for use in Defender distribution boards. TrustArc Cookie Consent Manager helps ensure online privacy compliance.

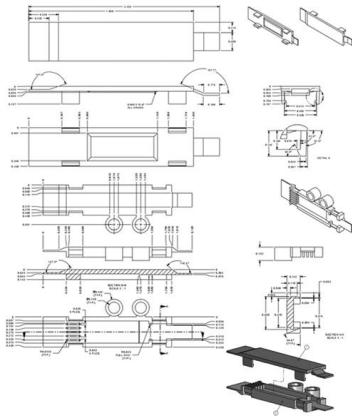
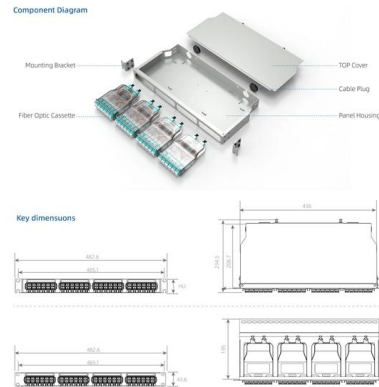


### TED Offers Superb Domestic Board Blanks for

Protect your home with domestic board blanks for consumer units, ensuring safety from accidental contact with live electrical components. Shop now at TED.

### What Is a Distribution Box?

Distribution boxes are commonly used in residential and commercial electrical systems. Also known as a distribution board, it's



## DISTRIBUTION BOARD

The widest offer of flush-mounting distribution boards and enclosures currently available on the market. Seven families designed to offer advanced solutions in the residential and commercial sector, also

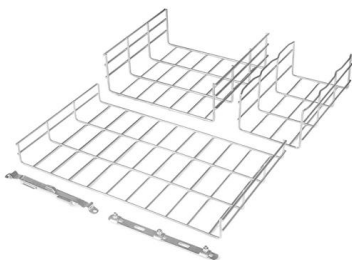
## MCB Distribution Boards & Boxes

PRODUCTS DESCRIPTION MCB Distribution Boards & Boxes SPN/TPN Alfa Gold (Double Door Box) Arihant Industries is one the leading MCB Distribution Boards



## Power Distribution Boards: Understanding their role

Learn the anatomy and functions of a power distribution boards, stay safe working with it, and ensure reliability. Learn about their types and safe usage





## Empty Distribution Panel Boxes/IP66 Distribution Board

With 20 years' experience in electrical industry, is the leading manufacturers of distribution boxes in China, specialized in producing and reserching all kinds of



## Distribution Board Accessories, Blanks & Locks

Discover our range of distribution board accessories, including distribution board blanks & locks. In STOCK & next-day FREE delivery over £100.



## Dorman Smith DBXBM DORMAN SMITH LOAD LIMITER DISTRIBUTION BOARD BLANKS

Dorman Smith DBXBM DORMAN SMITH LOAD LIMITER DISTRIBUTION BOARD BLANKS, distributed by Kempston Controls. Shipping to 240+ countries worldwide.



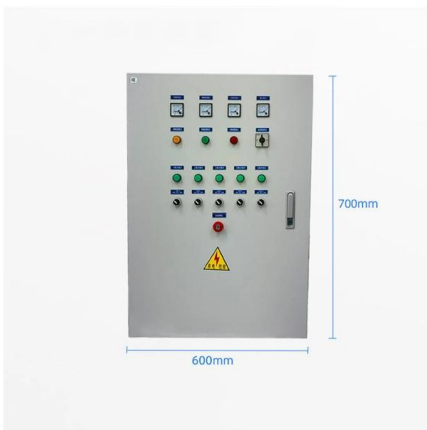
## Three Phase Board Blanks

Commercial distribution board blanks are essential components in electrical panels and switchboards. These blanks, available in various sizes and configurations,



### Distribution Box Blank Cover

Distribution Board Blanks Pickup available at DiYshop Usually ready in 1 hour View store information



### Blanks & Accessories

Shop blanks and accessories for circuit protection from popular manufacturers including Hager, Crabtree and Eaton Mem. If you just need some help, would like to take advantage of our Price Promise & or

### Distribution Board vs. Distribution Box: What's the

Understand the key differences between distribution boards and boxes--functions, applications, safety, cost, and when to use each one.





### **Amazon .uk: Consumer Unit Blanks**



50 Pcs Electrical Panel Blank Fillers, Fuse Box Slot for Consumer Unit Hole Covers, Modular Grid Blanks & Din Rail, Unused Breaker Slot Covers for Distribution Board, White ABS (1P) £426 Buy any

### **Amazon .uk: Fuse Box Blanks**

Fuse Box Cover - Distribution Box Cover, Power Box Cover - Pack of 10 White Cover Strips, Separable Blank Cover for Fuse & Distribution Box, Compatible with Hager

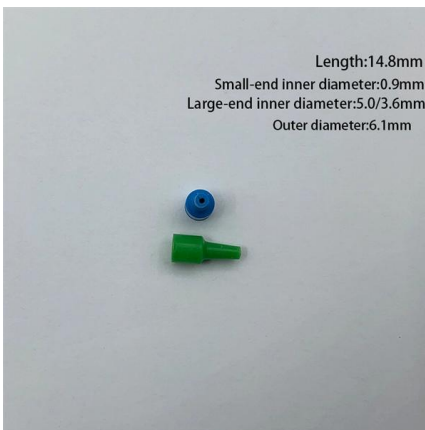


### **FLUSH-MOUNTING DISTRIBUTION BOARD**

Flush-mounting boxes can be assembled side-by-side through the coupling tool code GW40425. **INSTALLATION:** For the possible enclosure-terminal block combinations, refer to the summary

### **empty boards for general use / cable distribution boards**

In the catalogue on the download area, you will find a general overview of the housing versions with the corresponding information. We will tell you about other



## Empty distribution board for wired assemblies up to 6 socket-outlets

Empty distribution board for wired assemblies up to 6 socket-outlets Palazzoli.

## What is an Electrical Distribution Box? A

At its core, an electrical distribution box (or distribution board) is a metal or plastic enclosure that houses various components responsible for



## Empty Universal Distribution Boards

Empty Universal Distribution Boards. Customer focused design for all applications and environments. Known for ease of installation and service.





## Three Phase Board Blanks , FuseBox.Shop

These blanks, available in various sizes and configurations, cover unused slots or openings in distribution boards, ensuring safety and maintaining the integrity of



## Contactum Defender Polycarbonate & ABS Plastic

Order online at Screwfix . DIN rail mounted.  
Designed for use in Defender distribution boards.  
FREE next day delivery available, free collection  
in 1 minute.

## The Basics of Panelboards For Electrical Engineers

Residential Power Distribution Power distribution systems are used in every residential, commercial buildings and industrial facilities to safely control



## Contact Us

---

For datasheets, pricing, or custom telecom energy solutions, please visit:  
<https://www.koskolong.co.za>