



**Adam Tas Corridor Energy**

# **Broadcom acquires Avago optical modules**





## Overview

---

(NASDAQ: AVGO) has confirmed a report from LightCounting analyst James Kisner that it has reacquired the optical transceiver and technology assets Avago Technologies sold to Foxconn Interconnect Technology (FIT; see "Avago agrees to sell optical modules business to. Avago sold the assets in 2015, shortly before the company merged with Broadcom through acquisition. All the latest Broadcom news -- product and financial -- can be found in the Broadcom newsroom. (NASDAQ: AVGO) is one of the best performing NASDAQ stocks according to hedge funds. On October 1, the company announced the achievement of industry-leading quality and readability of Co-Packaged Optics (CPO). What's the Deal with the Altium Deal?

SAN JOSE, CA - Ahead of its acquisition of Broadcom, Avago is selling its optical module unit to Foxconn for an undisclosed sum. (NASDAQ: AVGO) is a global technology company that designs, develops and supplies semiconductor and infrastructure software solutions for a broad range of markets.



## Broadcom acquires Avago optical modules

---



### Avago Announces Acquisition of Broadcom Today, a \$37-Billion Deal

In a May 28 press release, Avago Technologies said it will acquire Broadcom for \$37 billion. Avago will gain a broad portfolio of chips that Broadcom develops.

### Avago to buy Broadcom for \$37 billion

Chipmakers Avago and Broadcom have officially gone from rivals to bedfellows, as Avago announced Thursday plans acquire Broadcom for \$37 billion in cash and stock.



### Avago Agrees to Buy Broadcom for \$37 Billion

With its \$37 billion takeover of Broadcom, whose chips are used in iPhones and other consumer devices, Avago will leap to the top ranks of

### Avago Reveals \$37 Billion Blowout Acquisition Of Rival Broadcom

Chipmaker Avago Technologies on Thursday announced it will acquire rival semiconductor

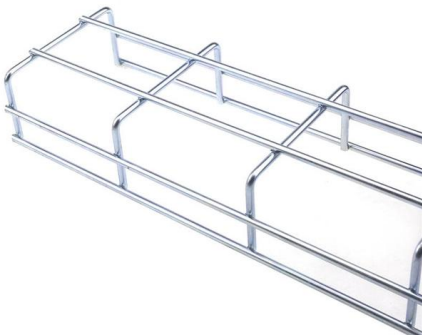


manufacturer Broadcom in a \$37 billion deal.



### Post-Broadcom acquisition, Avago sells optical modules

Fresh off its acquisition of Broadcom, Avago Technologies Ltd. (NASDAQ: AVGO) is reportedly selling its optical module unit to contract manufacturing giant Foxconn



### AFBR-59F2Z , Broadcom/AVAGO , Price , In Stock , eBee Electronics

AFBR-59F2Z by Broadcom/AVAGO - In-stock components at eBee. Price from \$29.3364. Free access AFBR-59F2Z datasheet, Package, pinout diagrams, and BOM tools.



### Broadcom reacquires optical transceiver assets from

Broadcom Inc. (NASDAQ: AVGO) has confirmed a report from LightCounting analyst James Kisner that it has reacquired the optical transceiver and technology assets





## Avago to buy Broadcom for \$37 billion in biggest-ever

The Avago-Broadcom deal follows NXP Semiconductors' \$11.8 billion offer to buy Freescale Semiconductor Ltd in March. Avago had also bid for



## Avago to buy Broadcom , Lightwave Online

In the optical networking world, Broadcom supplies ICs for PON applications through its acquisition of BroadLight (see "Broadcom to acquire PON chip vendor BroadLight").

## Avago buys Broadcom for \$37 billion to create IoT chip

It seems every corner of the mobile market is consolidating right now and semiconductors are clearly no exception, as digital signal processing chip



## Avago to buy Broadcom for \$37 billion in biggest-ever chip deal

Avago Technologies Ltd agreed on Thursday to buy Broadcom Corp for \$37 billion in the largest merger of chipmakers ever, turning a lesser known company run by a ferocious dealmaker



### Circuits Assembly Online Magazine

SAN JOSE, CA - Ahead of its acquisition of Broadcom, Avago is selling its optical module unit to Foxconn for an undisclosed sum.



### Avago, Broadcom To Combine In \$37 Billion Deal

As part of the deal, Avago will acquire Broadcom for \$17 billion in cash consideration and the economic equivalent of approximately 140 million Avago ordinary shares, valued at \$20 billion as

### Avago Bulks up with \$37B Broadcom Merger

Avago Technologies Ltd. said it has struck a deal to purchase communications IC vendor Broadcom Corp. for \$37 billion in cash and stocks in





## **Broadcom (AVGO) Stock Price, News & Analysis**

Should You Buy or Sell Broadcom Stock? Get The Latest AVGO Stock Analysis, Price Target, Dividend Info, Headlines, and Short Interest at MarketBeat.

### **Broadcom , Newsroom**

All the latest Broadcom news -- product and financial -- can be found in the Broadcom newsroom.



## **Foxconn Interconnect Technology Limited completed the acquisition of**

Foxconn Interconnect Technology Limited agreed to acquire Optical Module Business from Avago Technologies Limited (NasdaqGS:AVGO) on August 24, 2015. Post transaction, 900

### **Broadcom , AVGO Stock Price, Company Overview**

Broadcom, Inc. is a global technology company, which designs, develops and supplies semiconductor and infrastructure software solutions.



### **Avago agrees to sell optical modules business to**

On the heels of agreeing to acquire communications semiconductor supplier Broadcom Corp. (NASDAQ:BRCM), Avago Technologies Ltd. (NASDAQ:AVGO)



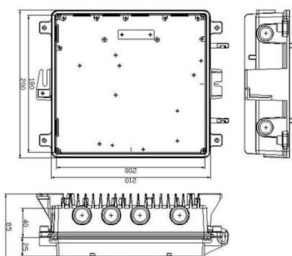
### **Avago agrees to sell optical modules business to Foxconn**

On the heels of agreeing to acquire communications semiconductor supplier Broadcom, Avago Technologies has moved to streamline its operations by selling its optical modules business to



### **Avago Technologies Ltd to pay US\$37-billion for chipmaker Broadcom Corp**

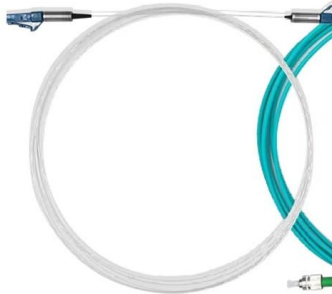
Avago Technologies Ltd., a Singapore-based maker of semiconductors, agreed to buy wireless chipmaker Broadcom Corp. for US\$37 billion in the industry's biggest acquisition ever.





## Avago Technologies to buy Broadcom for \$37B

Avago, which started out in life as the semiconductor products division of HP, offers (among other things) communications ASICs and high-speed fibre-optic components, from active optical cables



## Avago Technologies to buy Broadcom for \$37B

Avago Technologies has agreed to acquire Broadcom in a cash and stock transaction worth \$37 billion (EUR33.8 billion). Assuming the deal goes through, the combined company is expected

## Broadcom (AVGO) Hits Key Milestone in Co-Packaged Optics

On October 1, the company announced the achievement of industry-leading quality and readability of Co-Packaged Optics (CPO). Broadcom achieved one million cumulative 400G



## Avago looks to grow with \$37B deal for chipmaker Broadcom

NEW YORK (AP) -- Avago Technologies is buying rival chipmaker Broadcom in a cash and stock deal worth about \$37 billion, vastly expanding its lineup of products for the rapidly growing



### **CyOptics acquired by Broadcom (formerly Avago Technologies)**

Acquiring Organization: Broadcom (formerly Avago Technologies) Broadcom is a designer, developer, and global supplier of a range of analog semiconductor devices.



## **Contact Us**

---

For datasheets, pricing, or custom telecom energy solutions, please visit:  
<https://www.koskolong.co.za>