



**Adam Tas Corridor Energy**

# **Burkina Faso Customs Clearance Network Cabinet Desktop**



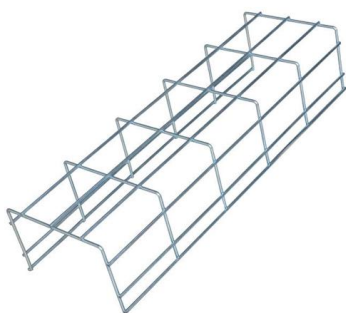


## Burkina Faso Customs Clearance Network Cabinet Desktop



### Cotecna extends customs contracts in Burkina Faso

Cotecna is pleased to announce the signature of an extension of two contracts with customs in Burkina Faso, for cargo tracking and scanning services.



### Burkina Faso

The customs laws and regulations of Burkina Faso are governed by the WAEMU framework. The primary authority is the General Directorate

### FIDI Customs Guides\_Burkina Faso

For all returning Burkinabe diplomats: In Burkina Faso, taxes and duties on imported vehicles amount to 2.3% of the CIF\* value for the first vehicle and to 48% of the CIF\* value for the second vehicle.

#### Product Catalog



### Import Customs Guide BURKINA FASO

FIDI Import Customs Guide BURKINA of this publication. It is recommended to verify this information with a FIDI Affiliate prior to shipping. This document is produced based on the information supplied at



### **Burkina Faso , ExFreight , USA**

ExFreight is the right place to find the documents required for Burkina Faso. We strive to provide full transparency and disclosure to make the process easy.

### **Burkina Faso**

It may be wise to see if the agent in Burkina Faso recommends holding the shipment at origin before shipping to ensure there are no unnecessary charges at destination. The diplomatic organization



### **Interconnectivity of Customs IT systems between Burkina Faso and**

This project aims at making Burkina Faso and Togo's Customs IT systems interconnected to facilitate and secure international trade through best practices, the prevention of frauds, the simplification of



## Customs Clearance tips , TNT Burkina Faso

A complete and comprehensive commercial invoice is vital if you want to pass through customs smoothly. Creating a digital commercial invoice on myTNT or downloading a template from our site

50KW modular power converter



- ✓ 50KW/100KWH
- ✓ HIGHER POWER OUTPUT IN OFF-GRID MODE
- ✓ CONVENIENT OPERATION & MAINTENANCE
- ✓ PRE-WIRED

## Customs procedures for Burkina Faso Export

This information explains about export customs clearance procedures in Burkina Faso. The information details on how to export goods from a Burkina

## Biosafety Cabinets (Class II) in Burkina Faso

In Burkina Faso, Class II Biosafety Cabinets (BSCs) are crucial for maintaining a safe laboratory environment and protecting both personnel and the surrounding community.



## Import Customs processes in Burkina Faso

Burkina Faso customs is the authority that responsible for the collection of all customs duties, excise duties on imported goods, ensuring the



## Moving to Burkina Faso

Rainier Overseas Movers has moved well over 50,000 families to their new homes throughout the globe. Our nationwide network of movers, serving virtually every metropolitan area in the country, are

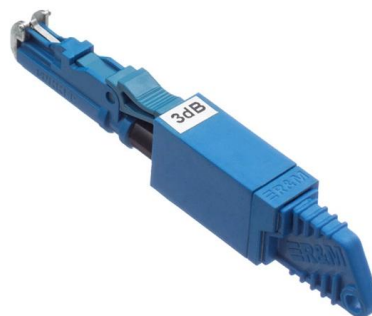


## Navigating Customs Duties and Compliance

This comprehensive guide explores the intricacies of customs duties in Burkina Faso, detailing their importance in international trade, duty rates, and

### 1.3 Burkina Faso Customs Information , Digital Logistics Capacity

Transit Regime During international transit in Burkina, the authorized customs agent delegated for this operation must fill and obtain a IM8 form called "Déclaration de Transit" at the entry border. Once





## Customs Clearance tips , TNT Burkina Faso

Key to smooth customs handling is a complete and correct commercial invoice. TNT will help you getting your shipment ready for customs clearance.



## BURKINA FASO REGULATIONS

The classification of goods in Custom Codes is generally based on the Harmonised Commodity Description and Coding System (commonly known as the Harmonised System (HS) Code) prepared



## Customs Brokers in Burkina Faso , Freightnet

Search the Freightnet Directory for Customs Brokers in Burkina Faso who can help with your freight shipping requirements. Find Customs Brokers from the list below and contact them directly or use

## Burkina Faso ECTN

Failing to obtain a Burkina Faso ECTN before shipping cargo can lead to several consequences, highlighting the importance of complying with this requirement:



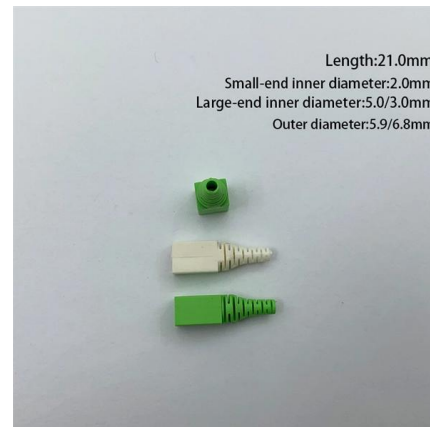
## Shipping to Burkina Faso: Customs Brokerage Expertise

Need help shipping to Burkina Faso? We're experts in customs brokerage. Let us handle the details for fast, affordable international shipping.



## International convention and customs procedures of Burkina Faso

Learn how to buy and sell goods in Burkina Faso, including information on the import and export procedures and taxes, customs and international conventions.



## Burkina Faso ECTN: A Comprehensive Guide

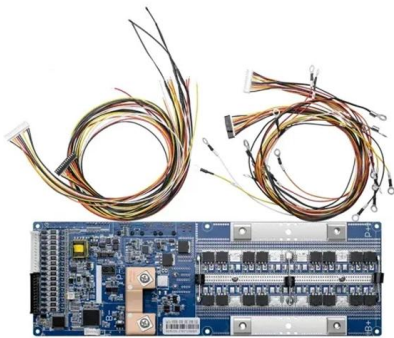
Why is ECTN Required? Burkina Faso's government has implemented the ECTN system to enhance security measures and improve customs.





## Directorate General of Customs - Burkina Faso

There are simplified, rapid release procedures for Customs clearance of the categories of goods considered necessary for treatments and basic needs. These have been precisely defined (using the



## Burkina Faso , ExFreight , USA

BURKINA FASO Documents required for Burkina Faso customs clearance as follows: Commercial Invoice Packing List Consignees IFU Tax identification number The pre-shipment inspection of

### 1.3 Burkina Faso Customs Information , Digital Logistics Capacity

During international transit in Burkina, the authorized customs agent delegated for this operation must fill and obtain a IM8 form called "Déclaration de Transit" at the entry border. Once obtained, the



## International Shipment & Customs Regulations and Information

Shippers and returning citizens of Burkina Faso who have resided abroad for at least 12 consecutive months are allowed duty-free/ tax-free entry. The following information is a brief summary of customs



## Contact Us

---

For datasheets, pricing, or custom telecom energy solutions, please visit:  
<https://www.koskolong.co.za>