



Adam Tas Corridor Energy

Cable tray customization in progress





Overview

Select a cable tray segment or run, and do one or more of the following: On the Modify | Cable Trays tab, specify a command. Cable tray is system family and can only modify basic size by duplicating existing type, like width, length and spacing. Follow Specify a Fabrication Configuration and Load Services in Revit to load more complex cable tray. A recent project exemplifies this perfectly, involving the creation of custom cable trays tailored to specific requirements. Cable tray customization services represent a comprehensive solution for managing and organizing electrical cables in various industrial and commercial settings.



Cable tray customization in progress



Instrumentation Cable Tray Installation Checklist and

Step-by-step instrumentation cable tray installation guide with safety tips, standards, inspections, and downloadable Excel checklist.

Accessories & Custom Solutions - GM ENGINEERS

Cable tray accessories and custom solutions are essential for creating a robust, flexible, and future-ready cable management system. By selecting the right components and customized options,



How to Fix Common Cable Management Issues using

Discover common cable management problems and how cable tray accessories effectively solve them to ensure safety and performance.

CustomFit Cable Tray: Guided Installation , UPLIFT Desk

With the CustomFit Cable Tray, you'll have the best-in-class standing desk cable management.



In this video, we guide you through the installation of the UPLIFT Desk CustomFit Cable Tray, designed



Cable tray design , GrabCAD Tutorials

A cable tray system is ideal for protecting and organizing electrical connections in commercial and industrial environments. This article offers a



Complete cable tray manual for electrical engineers and

Complete cable tray manual for electrical engineers and designers (on photo: power cable management ladder tray systems assembled aluminum cable tray ladder



Professional Customized Cable Tray Systems: Advanced Solutions for

Discover industry-leading customized cable tray solutions featuring advanced materials, intelligent design, and complete regulatory compliance. Perfect for industrial and commercial applications





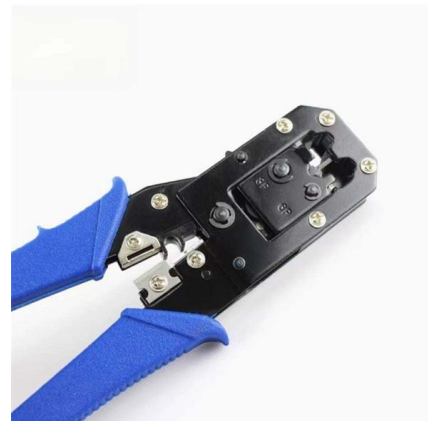
Modify Cable Tray

On the Options Bar, specify cable tray options. Drag the control to move or extend the cable tray segment to a new endpoint, or to connect with another cable tray.



Custom Cable Trays: A Journey from Concept to

The culmination of our efforts was the successful delivery and installation of the bespoke cable trays. The trays, with their custom width, design,



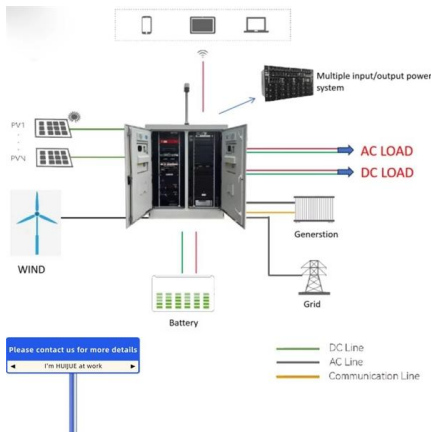
NEMA and NEC Regulations for Cable Tray Requirements

Follow installation practices to meet cable tray requirements, ensuring proper support, routing, and compliance with safety regulations.



Cable Tray Support Customization in Smart 3D

VRAJ CAD Tech have extensive experience in customizing Pipe and Cable tray Hangers and Support using programming. We completed 200+ Pipe support customization Project in major EPC companies



Cable Tray and Cable Ladder Installation Checklist

Streamline your cable management process with our expert checklist for Cable Tray and Cable Ladder Installation. From precise routing to secure mounting, ensure a

Professional Cable Tray Customization Services

Expert cable tray customization services offering tailored designs, advanced engineering solutions, and comprehensive project support for optimal cable management in industrial and commercial applications.





Modify Cable Tray

Once the cable design has been completed it may be necessary to modify and orientate the branches or components. You can modify head and tail details, connections, specifications and if required. 1974

Custom Cable Tray System Families

Goodmorning AutoDesk Staff, I have recently been trying to modify your System Basket Tray family so that it represents the actually model (rather



Cable Tray Installation and Maintenance Considerations

Learn about effective Cable Tray Installation and Maintenance. Get practical tips for planning, fitting, and looking after your cable trays.

Custom Cable Trays: A Journey from Concept to

These requirements demanded a high level of customization and precision, making the project both challenging and exciting. Methodology:
From



How to create complex cable tray types in Revit

How to create complex cable tray types, such as complex rung type. Cable tray is system family and can only modify basic size by duplicating existing type, like width, length and spacing.



Cable Tray Module Guide for Aveva E3D , PDF

The document provides steps for creating and modifying cable trays in the ELEC AND INSTR cable tray module of Aveva E3D, including how to choose the



Best Practices for Installing Cables in Trays

Learn the best practices for installing cables in trays. This guide covers essential steps, technical requirements, and key details for efficient cable





Perforated Cable Tray High-Temperature Horizontal & Vertical Tray

Perforated Cable Tray High-Temperature Horizontal & Vertical Tray Trunking Heavy Load Support Enhances Ventilation Performance

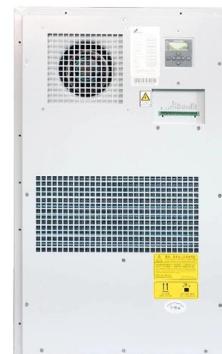


Cable Tray and Conduit Installation Method Statement

Step-by-step cable tray and conduit installation method with safety, quality and inspection procedures as per IEEE standards.

Cable Tray Installation

Learn everything about cable tray installation with our complete guide. Discover types, steps, and safety tips for efficient electrical cable management.



Cable Tray

Use the Create Category window to create a cable tray element (CTRAY), including types such as elbows, tees, crosses, risers, straights and so on. By default, the category name has a CATE



Tutorial: Building a Custom Cable Tray

Unlock the secrets to building a custom cable tray that enhances organization and style--discover essential tips and creative ideas to elevate your



Cable Tray Systems: Requirements and Best Practices

Comprehensive guide to cable tray systems requirements: tray types, materials, loading, supports, bonding, routing, and best practices for safe electrical cable management.

Contact Us

For datasheets, pricing, or custom telecom energy solutions, please visit:
<https://www.koskolong.co.za>