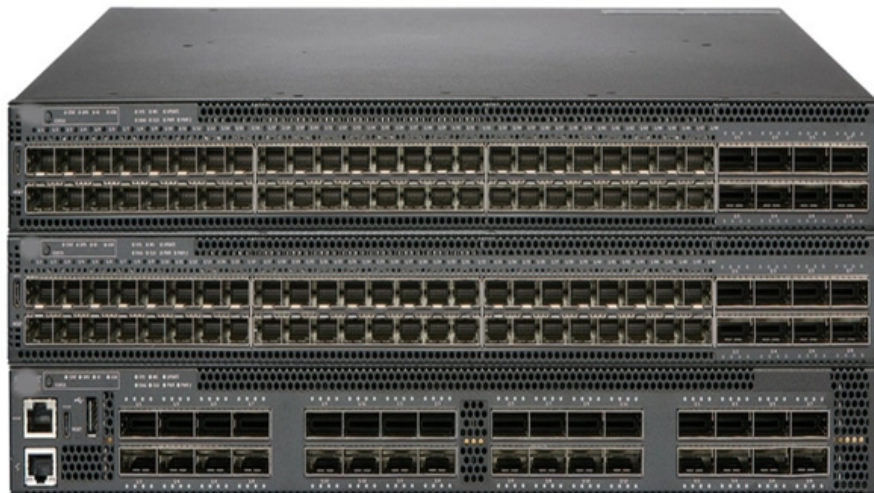




**Adam Tas Corridor Energy**

# **Cable type plate for distribution box**





## Cable type plate for distribution box

---



### Cable Junction Boxes: 8 Types, Tech Specs

Explore 8 types of cable junction boxes, their tech specs, installation tips, and maintenance. Get expert insights on selection,

### Distribution board

A distribution board (also known as panelboard, circuit breaker panel, breaker panel, circuit breaker, electric panel, fuse box or DB box) is a component of an electricity supply system that divides an



### DB Distribution Box

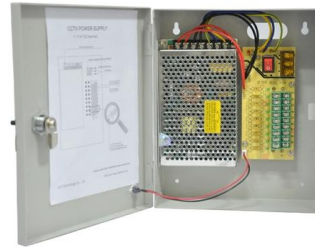
Split 360° cable entry system, M32-M75, IP54  
With the distribution box, centrally routed cables (with and without connectors) can be distributed 360° in all desired directions.

### DB Distribution Box

With the distribution box, centrally routed cables (with and without connectors) can be distributed 360° in all desired directions. Custom made



thread extension for



### Guidance Notes on Recommended Specifications of Junction Box and Cable

Foreword These Guidance Notes provide ABS recommendations for the design and construction of cable trays and junction boxes. These Guidance Notes are applicable to fixed and floating offshore



### Distribution Box Guide: Types, Components & Solutions

Understand distribution boxes (DB boxes) in 5 minutes. Learn about types, components, functions, and uses. Find the perfect DB box for your needs.



### Type of Cable Tray

Type of Cable Tray Introduction: Today cable trays have become a necessary part of industrial and commercial construction by offering quick, economical and flexible solutions to these problems.



## Cable entry plates, cable entry system for panel building

Cable entries of the VarioPlate series are the ideal solution when it comes to managing multiple cables in a confined space in a safe and organised way. The



## Best Material for LV Distribution Box , Axis Electricals

Learn which material is ideal for your LV distribution box. Axis Electricals explains how to choose the right enclosure for safety, durability, and

## Distribution Boards & Consumer Units

Mini Center Compact is a reliable range of distribution boards allowing maximum flexibility, offering wide choice of incomers: Switch Disconnector, MCCB, MCB, RCCB, RCD or Direct Cable Connection.



## Distribution Boards & Consumer Units

Distribution boards, together with modular ABB system pro M Compact protection devices and Modular Din Rail Components, can be used for many applications in electrical building installation. Solutions



## 10 Distribution Board Types Explained [May 2026 ]

Discover 10 types of distribution boards, from Main Distribution Boards to Fuse Boxes. Learn about their features, and applications,



## What is an Electrical Distribution Box? A

Discover everything you need to know about electrical distribution box! Learn about types, components, and how to choose.

## Types of Cable Trays - Purpose, Advantages,

Cable tray is alternatives to wire ways and electrical conduits, which completely enclose cables. Study types of cable trays, purpose, advantages.



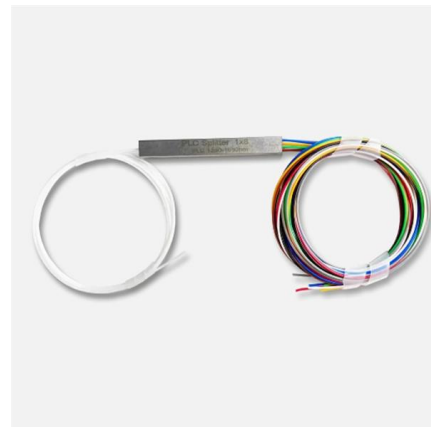


## What is the Internal Structure of The Distribution Box

Learn about the internal structure of a distribution box, its components, functions, and key types. Understand its role in electrical systems

### IEEE 525-2007\_accepted

IEEE-SA Standards Board Abstract: The design, installation, and protection of wire and cable systems in substations are covered in this guide, with the objective of minimizing cable failures and their



## TECHNICAL SPECIFICATION FOR LT DISTRIBUTION BOX

General Technical Particulars for LT Distribution Boxes : - The L.T. Distribution Boxes should be of the dimensions as per the drawing & details in the table furnished.



## ABB Low voltage distribution system

ABB Low voltage distribution system offers safe and reliable distribution based on InLine ZLBM fuse switch disconnector. It's a full IP2X protected system consisting





## Cordsets , Turck Inc.

Customize your solution from an extensive range of offerings including M8, M12, M16, M23, 7/8", Valve and Deutsch connectors. Available in straight and angled



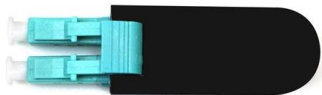
## Distribution Boxes: Types and Functions

Learn what an electrical distribution box (DB/distribution board) is, its main components (MCB/RCCB/RCBO, SPD, busbar) and common types.



## Connection Boxes - Altgeld

A distinction is made between the type and manner of cable entry. Connection boxes are available for horizontal connection or cable entry and exit from below as well



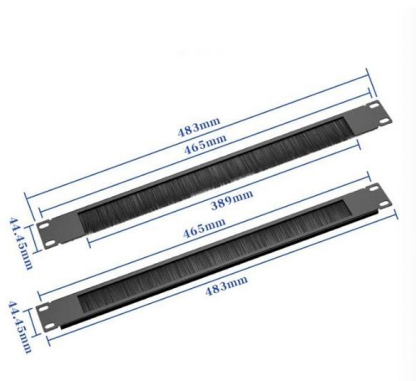
## ABC Distribution Box

The single -phase distribution box is designed to accept incoming conductors with a maximum size of 120mm<sup>2</sup> and 3 service cables of up to 35mm<sup>2</sup>. Will suit CNE or SNE type cables.



## SYSTIMAX® Structured Cabling for Enterprise Networks

SYSTIMAX® copper and fiber structured cabling deliver premium performance and ultimate reliability to your evolving network needs--now and tomorrow.



## Understanding Distribution Boxes: A Comprehensive Guide

Learn what a distribution box is, its types, and how to choose the right one for your project. Includes clear examples and expert tips.



## Contact Us

For datasheets, pricing, or custom telecom energy solutions, please visit:  
<https://www.koskolong.co.za>