



Adam Tas Corridor Energy

Certified Micro-Module Server Room Flame Retardant





Certified Micro-Module Server Room Flame Retardant

Minimum Fire Rating Requirements for Data Center

Northern Link emphasizes fire safety as a core pillar of data center reliability. Whether designing a new facility or upgrading an existing one, following these fire



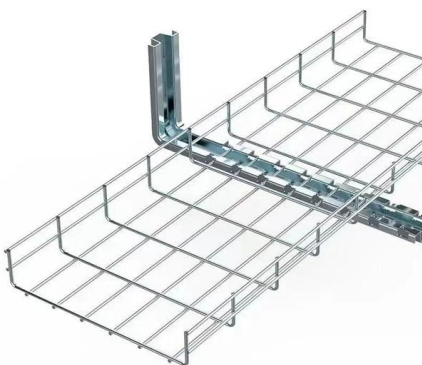
Fire Retardant Blackout Curtain, Grommet Top, NFPA

Buy Upcortinassi Fire Retardant Blackout Curtain, Grommet Top, NFPA 701 Certified Flame Resistant for Dorm Room/Living Room, 1 Panel, Light Beige, 52x63 Inch:



Fire Protection for Server Rooms Safety Requirements

While fire protection for server rooms seems like a daunting and complicated task, it's actually quite simple once you know what to look for in your



Server Room Fire Protection System , Mumbai , India

Protect your critical IT infrastructure with state-of-the-art Server Room Fire Protection Systems. Our



solutions prevent fires before they start,
safeguarding your data



Data Center Fire Protection , Fike

Combustion in a server room may occur from a variety of sources, including a faulty hard drive, an electrical short or malfunctioning overhead lights. In the subfloors



Server Room Fire Door Solutions - Rota Teknoloji

Server room fire doors prevent smoke from seeping into other areas, ensuring a safe evacuation. Protection of Electronic Equipment: Servers, switches, and other devices in server rooms must be



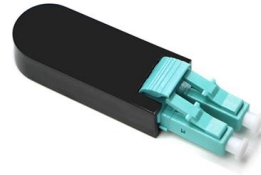
Agnijeet ? Server Room Fire Protection

Use Special Fire Retardant Paints on partitions (brick walls /wood boards), HVAC ducts, etc. inside the server room. Seal the cable duct openings using Fire Mortar and also install Fire Doors so as to



UL 94 Classification and Flame-Retardant Materials

A detailed analysis of thermoplastic materials with flame-retardant characteristics as well as the UL 94 classification.



Server Room Design and Construction Guide

The document outlines the design and construction guidelines for data centers and server rooms, emphasizing the importance of safety, security, and environmental

Preconfigured Modular Room

Modular, assemble-on-site IT room combining modularity with the freedom to customize size and shape. Offers a secure, fire-rated, water proof IT room that is



MECART

MECART designs and builds modular rooms / prefab rooms for multiple uses such as control rooms, in-plant offices, cleanrooms, e-houses, enclosures and more.



02

High Quality Material

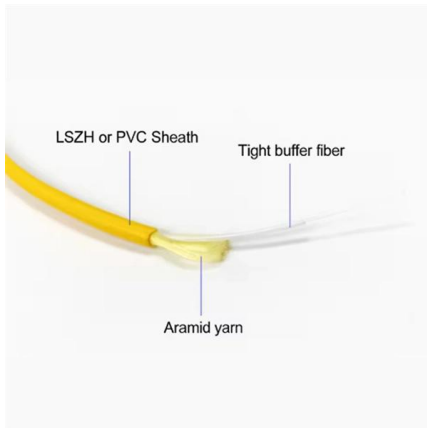


High hardness to resist external impact, Good Shaping Performance, Good Look and Anti-rust.



Server Room Fire Suppression Types: A

Server Room Fire Suppression Types: A
Comprehensive Guide to Protecting Your Critical Data
Protecting Your Data: Understanding Server Room



Affordable Server Room Fire Suppression System

Discover an environmentally safe Server Room Fire Suppression System at an affordable price. Certified UL Listed, CE Certified, and ISI Marked, this system is perfect for safeguarding server rooms, data

IT Room Fire Protection System , Server Room , Fire Suppression

IT rooms, server facilities, and data centers require highly specialized fire protection systems. Sensitive electronics, business-critical data, and uptime demands make traditional suppression methods





Modular Data/Server Rooms , Amisk Group

Modular Server Room/Data Center At Amisk, we design integrated data centre ecosystems that prioritize uptime, efficiency, and long-term reliability.



SERVER , CLOUD VAULT

When planning a server room, it is important to be proactive in protecting the data center from catastrophic loss. Fire protection is a key element in the design of a



Flame-Retardant Foams: The Ultimate Guide and

Flame-retardant foams are chemically treated in such a way that they burn very slowly and are self-extinguishing. What testing procedures are there in

Fire protection for server rooms

Holistic fire protection for server rooms When determining the fire protection measures for server rooms, the entire building is considered and the



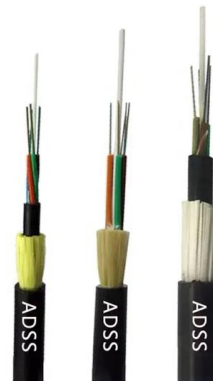
Server Room Fire Suppression Systems: Types and Requirements

Learn how to choose and maintain the right fire suppression system for your server room, from clean agents to inert gas, while staying compliant with current standards.



Formlabs Introduces Flame Retardant Resin for 3D

Formlabs Flame Retardant (FR) Resin is a heat resistant and flame retardant 3D printing material for producing self-extinguishing 3D printed parts.



Certifications & Standards

No Flame Retardant Chemicals: An item meets applicable flammability standards, such as CA TB 117, 16 CFR 1632 or 16 CFR 1633, without the use of added flame retardant chemicals. SCS Indoor





Guide to Effective Server Room Fire Protection Solutions

Server rooms are high-risk environments where fire can cause catastrophic damage to critical data and equipment. Standard fire suppression methods are not



Fire-rated ventilation doors: , Asturmadi Doors

The VENTILA door combines fire protection with the ventilation needs of certain enclosed spaces. This makes the Ventila door the perfect alternative for server

Designing Fire Protection for Data Centres and Server

Server rooms need specialized fire protection to prevent costly downtime and data loss. Discover clean agent systems, early detection tech, and compliance tips to



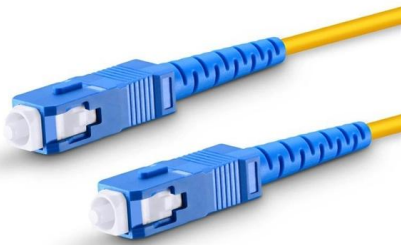
Fire Suppression for Server Rooms: Protecting Critical Infrastructure

Discusses the unique fire risks associated with server rooms and data centres, emphasizing the importance of implementing effective fire suppression solutions to protect critical infrastructure.



The Best Server Room Fire Suppression Systems

The server room is the heart of any organization's IT infrastructure and contains critical hardware, software and data that keep the business running



Which Fire Protection System is Best for Server Rooms

The best fire protection system for server rooms and data centers is a clean agent suppression system, such as FM-200 or inert gas system, because

Effective fire protection for data centers

Data center operators have stringent fire protection requirements to help safeguard the continuous availability of servers and data. And not every fire protection



Flame Retardant Filaments for 3D Printing , Certified

Explore flame retardant filaments for 3D printing, including UL94 V-0 certified ABS, PLA, PC/ABS, and glass fiber-reinforced polycarbonate. These fire-resistant



Contact Us

For datasheets, pricing, or custom telecom energy solutions, please visit:
<https://www.koskolong.co.za>