



Adam Tas Corridor Energy

Company Network Cabinet Installation Plan





Overview

This guide outlines the sequential steps involved in setting up a server cabinet, from initial site assessment to post-installation testing, with a focus on industry standards such as ANSI/TIA-942 (Data Center Standards) and ISO/IEC 24764 (Information Technology—Racks). An in wall network cabinet is a special type of enclosure that fits inside your wall. Unlike traditional floor-standing racks, these cabinets are recessed, which means they don't take up valuable floor space. Let's take a look at the essential components, selection criteria, and best practices for efficiency, order and protection of the network.



Company Network Cabinet Installation Plan

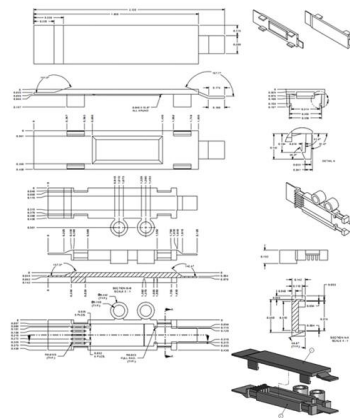


The Ultimate Guide to Network Cabinets: Everything

Figure no 5 SP-601 iv) SP 801-network cabinet wall-mount: These cabinets are usually available in black colour. These cabinets are best suited for

How to Properly Install and Set Up a Network Cabinet

Installing and setting up a network cabinet system correctly is essential for maintaining an efficient and organized network infrastructure. In this



How do I set up a server cabinet?

How do I set up a server cabinet?, Gometal is China manufacturer & supplier who mainly produces network cabinet, network rack, Server cabinet,

Network Cabinets: The Essential Guide for Your IT Infrastructure -

In today's digital age, businesses depend on their IT infrastructure to stay connected and efficient.



A critical part of this setup is the network cabinet, which keeps your networking equipment safe and



Network Cabinet: Complete Guide for the Best Choice

Choosing the Network Cabinet is crucial to ensure the organization, safety, and efficiency of IT equipment. A well-selected cabinet not only optimizes

Network Cabling Installation Guide 2025: Best Practices

Comprehensive 2025 guide for network cabling installation covering planning, setup, & troubleshooting to build a reliable and future infrastructure.



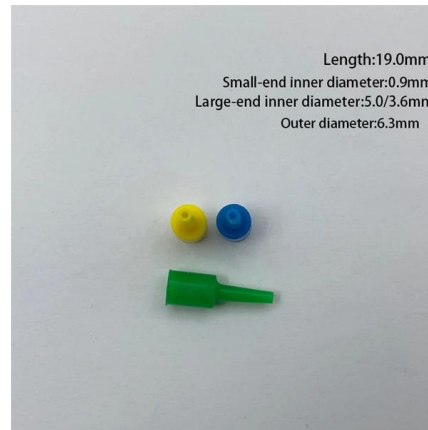
Network Cabling Installation Guide: Step-by-Step

Learn the do's and don't of network cable installation, from the planning process to the hardware to potential hazards to watch out for.



10 Steps to Network Installation

How Do You Choose The Right Network Type? About Wired Networks About Wi-Fi Networks About Hybrid Networks Plan Your Installation - Our Pro Networking Installer Tip How Do I Calculate My Cable amounts? Get The Right Materials Gather Your Tools Position Your Wall Plates Cutting Holes in Walls Once you've decided on which sort of network you want to run, you'll need to start planning your installation. This step will be when you plan out all the practical considerations for your network. For instance, where will your cable run, which rooms need which connection options, and how many data points will you need? Start by deciding if your ne See more on be structured Published: May 4, 2023 Gewiss



Organising and wiring a rack cabinet: a complete guide

How to choose, organise, and wire a company rack cabinet to create an efficient, ordered and safe network. Best practices and component guide.



How to Plan Cabling for In-Wall Network Cabinets: The Complete

Planning cabling for an in wall network cabinet can feel overwhelming. However, with the right approach, you can create a system that's organized, efficient, and ready for future growth. In this guide, we'll

Network Cabling System Installation Complete Guide 2024

This guide aims to provide a comprehensive overview of the entire process of designing and installing network cabling systems. We will walk



you through each step--from understanding the



Network Cabling Installation Example and Overview of Cabinet with

This video is designed to provide a thorough overview of network cabling installation and cabinet setup, offering valuable insights for both beginners and experienced professionals.

Network Racks

A flexible solution for every networking challenge nVent network racks & cabinets: the essential foundation for your IT infrastructure, optimizing cabling, security, thermal management and physical



Network cabinet design considerations

As your network grows, enclosures may need to be installed in various customer premises or locations-network room, colocation room, factory floor, and maybe



The Ultimate Guide to Setting Up a Home Network

The home network wiring cabinet is a dedicated space in your house where you can organize and centralize all the necessary equipment and connections for your



Best Practices for Network Installation

Testing not only confirms installation quality but also provides documentation for clients and future audits. Learn more about the certification

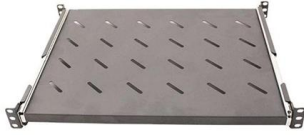
Comprehensive Guide to Network Cabling Installation

Discover the essentials of network cabling installation. Learn about best practices, cable types, troubleshooting, and more for efficient connectivity.



Network Installation Steps: How To Set Up (2025 Updated)

How do you move from wanting a wired network to actually having one? Create effective, efficient business networks by following these network



Commercial WiFi Installation: How to Set Up (2025)

If you're looking to learn everything about commercial WiFi installation then read this very thorough and extensive article that covers all the basics.



Best Practices for Network Cabling Installation in Offices and

In this guide, we explore the optimal strategies for network cabling in both office and warehouse environments, with a focus on Ethernet cable types, fiber optic cabling, network design and planning,

The Ultimate Guide to Structured Cabling Installation

Discover professional techniques for structured cabling installation to enhance your network's performance and reliability.





Top 10 Network Infrastructure Project Plan Templates with

Explore the top 10 Network Infrastructure Project Plan Templates with examples to streamline IT deployment, manage resources, ensure security, and optimize infrastructure



How to install RackMount Network Cabinet?

How to install RackMount Network Cabinet?, Gometal is China manufacturer & supplier who mainly produces network cabinet, network rack,



Network Cabinet Essentials: Organizing Your Network

Discover the pivotal role of a Network Cabinet in managing IT infrastructure. Learn about types, technical features, and best practices.

How To Build A Computer Network For Your Small

Building a computer network in a business environment is very different from setting up a home network. Business networks have high



Cable Management

Cabinets, Thermal Management, Racks and Enclosures Our vast selection of cabinets, thermal management, racks, enclosures for data centers,



Network Equipment Rack & Cabinet Installation

Our network equipment rack and cabinet installation services provide secure and organized housing for your IT equipment. We supply and install a range of rack solutions, from wall-mounted cabinets to full



How do I set up a server cabinet?

This paper presents a systematic guide to server cabinet installation, covering site preparation, physical assembly, cable management, power and





Network Cabinet Cabling: Guide & Documentation Tips

Practice-oriented guide to network cabinet cabling with documentation template, safety aspects & software tips.



Contact Us

For datasheets, pricing, or custom telecom energy solutions, please visit:
<https://www.koskolong.co.za>