



Adam Tas Corridor Energy

Construction methods for fiber optic cables





Construction methods for fiber optic cables

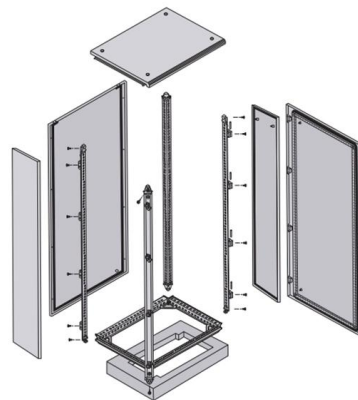
Essential Guide to the Construction of Optical Fiber Cables

Optical fibers are constructed using a precise process involving a core, cladding, coating, strengthening fibers, and an outer jacket. This guide will explain the construction of optical fiber,



on site fiber optic cable installation jobs

Assist aerial crews in the construction and maintenance of overhead telecommunications systems. Hang, lash, and secure strand, coax, and fiber optic cable to poles following customer specifications.



Fiber Optic Cable Construction: A Comprehensive Analysis

In this article, we'll discuss in detail the construction of Fiber optic cables and also see the challenges you might face.

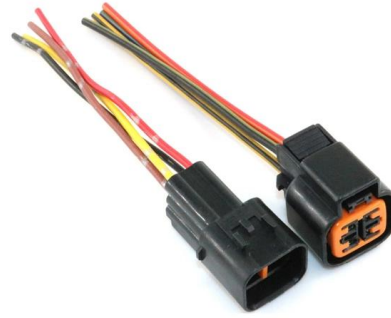


Why Trenchless Technology Perfect Fit for Fiber Optic

Key Takeaways Trenchless technology methods such as horizontal directional drilling help to



install fiber optic cable with greater ease and lower cost

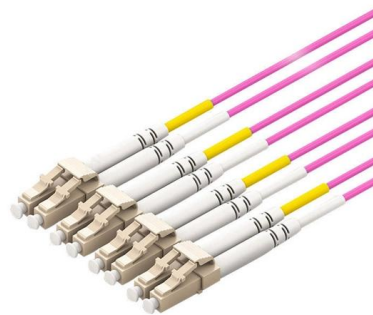


Electrical and Fiber Optic Cable Management

These cable management products offer a choice of methods to secure, route, label, and bundle electrical cables and fiber optic patch cables. Click the options in

Complete Guide to Fiber Optic Cable Construction

Learn how fiber optic cables are constructed and explore eight common cable types used in data centers, enterprise networks, and FTTH deployments.



Cable Identification System Best Practices for Fiber

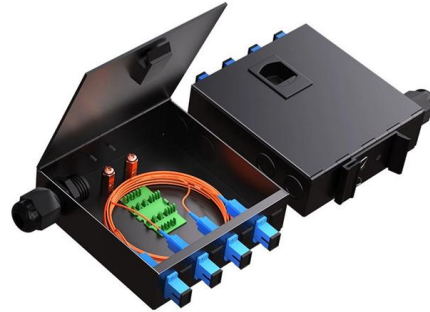
Cable identification best practices for fiber optic networks: use TIA-606-B standards, durable labels, and thorough documentation for reliable





How to Repair Fiber Optic Cable: Top 5 Easy Steps (2024)

Learn how to repair fiber optic cable with our step-by-step guide. Discover essential tools, splicing techniques, and troubleshooting tips.



How To Find Buried Fiber Optic Cable?

How To Find Buried Fiber Optic Cable: A Comprehensive Guide Fiber optic cables are critical components of modern communication infrastructure, often buried underground for protection

The FOA Reference For Fiber Optics -Outside Plant

Alternative methods of deploying underground fiber cables includes using storm water drains and sewers, while another is micro-trenching, which involves using a



Fiber Optics Market Size & Share , Industry Report, 2033

Fiber Optics Market Summary The global fiber optics market size was estimated at USD 10.76 billion in 2025 and is projected to reach USD 17.95 billion by 2033,



Fiber Optics Fundamentals: Construction, Transmission,

Explore fiber optic cable design, transmission principles, and performance optimization techniques. Ideal for engineers designing high-reliability



Optimization Analysis for Pavement Construction Integrated Optical

Distributed optical fiber sensors require robust designs for pavement integration. Reinforcement and armoring significantly improve cable survival during compaction, reducing stress

FIBER OPTIC CONSTRUCTION STANDARDS

Fiber optic cable sequential numbers are required at each pole location and vault wall. Sequential numbers will identify conduit length, and slack left in vaults and at poles.



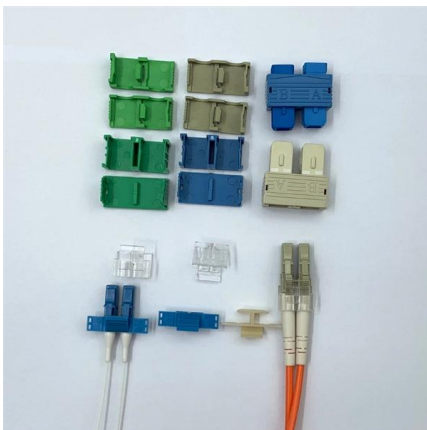


Fiber-Optic Cables: Materials, Construction, and Performance

In this article, we'll take a deep dive into the materials used, the construction process, and the performance benefits of fiber-optic cables to explain why they are key to the future of digital

The Complete Step-by-Step Guide to Fiber Optic Splicing

As fiber optic connections become increasingly mainstream, the need to connect fiber optic cables to one another -- or splicing -- is also on the rise. In this guide,



What Is Utility Potholing? Safe2core Explains How Potholing Prevents

Utility potholing is a precise, non-destructive excavation method used to expose underground utilities such as gas lines, water mains, electrical conduits, and fiber optic cables before

Optical Fiber Cable Guide: Types, Construction,

This guide explores optical fiber cable types, construction, applications in 2025. Learn about single - mode, multimode fibers, installation, market trends for





Recommendation ITU-T L.103 (08/2024)

Specific tests and criteria for evaluating these characteristics are outlined, referencing appropriate IEC test methods. For cable construction, the document



Executive Fiber Optic Cable Installer Jobs in Minnesota

Browse 419 EXECUTIVE FIBER OPTIC CABLE INSTALLER jobs hiring now in MINNESOTA. New openings daily. Apply early, get seen first & 1-click apply!



Underground Installation of Optic Fiber Cable Placing

Placing cables underground has the added benefits of reducing transmission losses, aiding planning consent and reduced risk of service supply loss through extreme weather. This practice covers the

Fiber Optic Network Construction

Learn how fiber optic network construction works--from site survey and permits to aerial vs underground fiber cable installation, splicing, and FTTH



Fiber Optic & Cable Standards Guide , FiberMania

IEC 60794 is the primary standard for fiber optic cable construction, mechanical performance, and environmental resistance. It includes a



FOA Standard For Installing Fiber Optic Cable Plants

Additional Construction Methods: Fiber optic cables may require installation in many other conditions, for example, lashing cables or cables in conduit to current structures such as buildings, bridges,



Underground Fiber Optic Cable Installation:

Explore the process and benefits of underground fiber optic cable installation. Learn how this infrastructure investment can elevate your internet





The FOA Reference For Fiber Optics

Outside Plant Fiber Optic Cable Jump To: Fiber Optic Cable Construction Fiber Optic Cable Types Cable Design Criteria Choosing Cables Cable Types: (L>R):

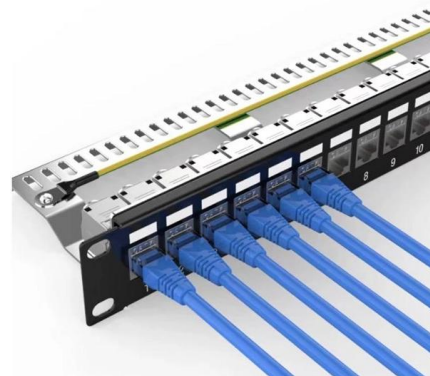


Underground Fiber Optic Cable: The Complete Guide

Comprehensive guide to underground fiber optic cable types, installation, pricing, conduit systems, standards, and armored solutions for projects.

Fiber Optic Cables Market 2025

The Asia-Pacific region stands as the unequivocal leader in the global Fiber Optic Cables Market, a position driven by enormous state-backed digitalization



Contact Us

For datasheets, pricing, or custom telecom energy solutions, please visit:
<https://www.koskolong.co.za>