



Adam Tas Corridor Energy

Cost-effectiveness of galvanized cable trays in Sierra Leone





Cost-effectiveness of galvanized cable trays in Sierra Leone



Odhav Multi Industries Powers Construction Sector with Locally Made

Driving forward Sierra Leone's infrastructure development and economic transformation, Odhav Multi Industries (SL) Limited stands prominently at the forefront of industrial innovation. As the

Galvanised Cable Tray In Sierra Leone

Galvanised Cable Tray is often a cost-effective solution compared to other materials. It is relatively affordable, especially when considering its durability and long lifespan.



Essential Guide to Galvanized Trays: Benefits, Types, and Applications

Understanding the nuances of galvanized trays is crucial for businesses and consumers alike, as it impacts both functionality and cost-effectiveness. This guide will delve into the

Galvanized Cable Tray In Sierra Leone

Being one of the leading Galvanized Cable Tray Manufacturers in Sierra Leone, we work for



customer satisfaction and design and deliver the standard and customized range accordingly. We have a

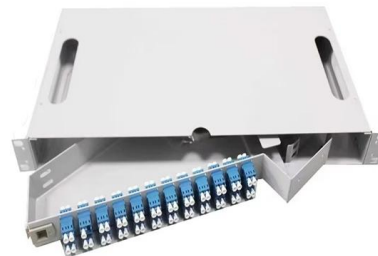


SS Cable Tray VS Galv Cable Tray: Which One Is Right

Among the most commonly used materials are stainless steel and galvanized steel. When considering SS Cable Tray VS Galv Cable Tray, it is

Cable Tray Wiring Systems Have Many Cost Advantages

Cable Tray Wiring Systems Have Many Cost Advantages Cost is usually a major consideration in the selection of a wiring system. This article provides information as to where cable tray wiring system



Galvanized Cable Tray In Sierra Leone

As one of the best Galvanized Cable Tray Manufacturers in Sierra Leone, we are trusted by people not only within the boundaries but even beyond that. Our custom-based products are able to match up



HDG Perforated Cable Tray , GI Cable Tray

A hot dip galvanized cable tray provides long-lasting corrosion protection that can last for decades without upkeep, hence becoming a cost-effective option in the



Why Galvanized Cable Tray is the Best Option for

Hot-dip galvanized trays offer the highest corrosion resistance due to their thick zinc layer, making them ideal for harsh outdoor environments. Pre

Galvanized Cable Tray In Sierra Leone

If you are searching for Galvanized Cable Tray in Sierra Leone, Brilltech Engineers Pvt. Ltd. is a trusted brand that you can rely on. We have a well-equipped manufacturing unit with all the advanced



Cable Tray Price Per Meter: Market Analysis & Cost

Discover the key factors affecting cable tray price per meter, including materials, demand, and competition. Get cost insights and future pricing trends.



Advantages and Disadvantages of Metal Cable Trays

Now that we've established the importance of metal cable trays in electrical systems, let's explore the specific advantages and disadvantages



Types of Cable Trays - Advantages, Applications and Sizes

Explore the types of cable trays, their advantages, applications, and standard sizes. Learn how they improve cable management and support various industries.

Cost-Effective Solutions: The Advantages of Cable Trays

This article examines the reasons behind the popularity of cable trays as a cost-effective method for organising wiring systems and discusses their benefit.



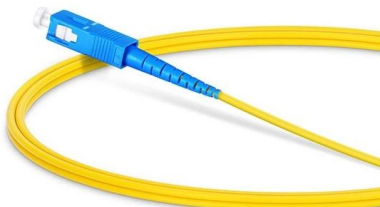


Cable Tray Installation Cost per Meter - Price Estimator

The finish and coatings applied to cable trays play a significant role in determining the overall cable tray installation cost per meter. Special finishes,

Galvanized Cable Tray In Sierra Leone

We, one of the leading Galvanized Cable Tray Manufacturers in Sierra Leone, bring trays that are designed to offer superior durability, corrosion resistance, and efficient cable management solutions

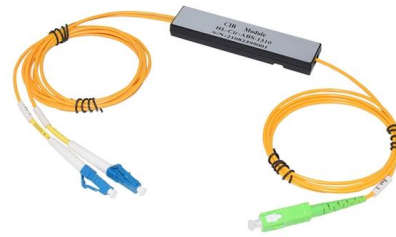


Cable Tray Cost Comparison

Compare cable tray costs by type, material, and installation. Find the most cost-effective option for your project in this detailed buyer's guide.

How Much Do Cable Trays Cost? A 2026 Comparison

Discover the 2026 cost breakdown for cable trays compared to conduit and wire mesh. Compare material prices, labor savings, and performance



Comprehensive Cable Tray Pricing Guide: Cost-Effective Solutions for

Explore competitive cable tray pricing options featuring durable materials, easy installation, and scalable solutions for efficient cable management in commercial and industrial applications.

Hi-Wire(TM) Galvanized Cable Tray

Cobia® wire mesh basket trays are a budget-friendly alternative to other cable management solutions for supporting groups of cables. WireRun® Cable Trays



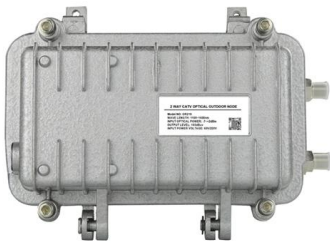
Mild Steel Cable Tray In Sierra Leone

As a leading Mild Steel Cable Tray Manufacturer and Supplier in Sierra Leone, our commitment to quality shines through in every aspect of our products. Combining durability, precision, and



Cobia® Galvanized Cable Trays

Cobia® wire mesh basket trays are a budget-friendly alternative to other cable management solutions for supporting groups of cables. WireRun® Cable Trays can be installed either in a ceiling, in a

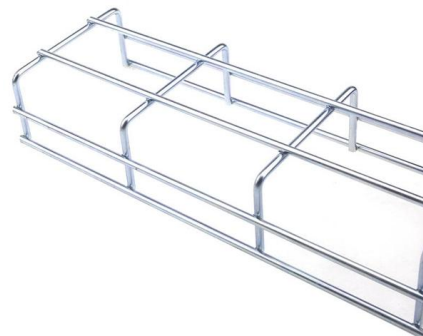


Why Galvanized Steel Cable Trays Are Ideal for

Why galvanized steel cable trays for industrial cable management? Durable, corrosion-resistant, and cost-effective for harsh conditions.

Cablofil wiremesh cable trays , , Products , Legrand France

Explore Legrand Cablofil wiremesh cable trays for flexible, customizable cable management solutions suitable for various environments and configurations.



Types of Cable Trays: Benefits and Uses

Understanding the applications of cable trays helps highlight their importance in providing secure, cost-effective solutions for complex cable setups



Contact Us

For datasheets, pricing, or custom telecom energy solutions, please visit:
<https://www.koskolong.co.za>