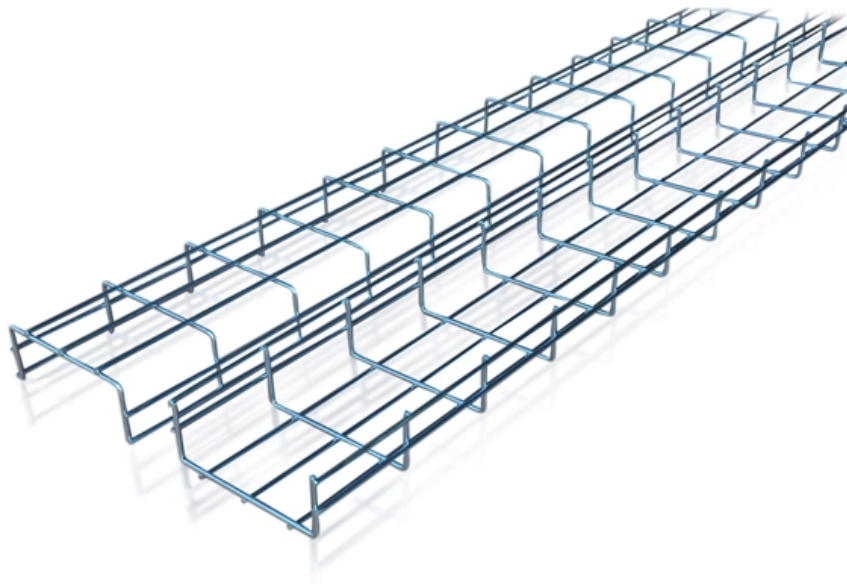




Adam Tas Corridor Energy

Cover of distribution box 15 circuits





Cover of distribution box 15 circuits



15 way distribution box

Discover our waterproof 15-way MCB outdoor distribution box with IP65 rating. Ideal for industrial power distribution, this plastic electrical panel offers wide voltage range (12V-220V).

Box Power Distribution & Circuit Protection at Lowes

Find Box power distribution & circuit protection at Lowe's today. Shop power distribution & circuit protection and a variety of electrical products online at

LoRawan outdoor base station

- * Industrial Internet gateway
- * Compatible with LoRaWAN network,
- * ClassA/B/C mode
- * Support 8/16 channel
- * Supports PoE power
- * supply and backup battery power supply
- * 10KV lightning protection



Distribution board

The photograph on the left shows a dual panel configuration: a main panel on the right (with front cover in place) and a subpanel on the left (with cover removed). The subpanel is fed by two large hot wires

Plastic Transparent Cover, Power Distribution Box for Circuit

GREAT QUALITY: Made of exquisite quality plastic, this distribution box is long-lasting and



sturdy. TRANSPARENT COVER: The blue plastic transparent cover power distribution is transparent, you



What is the Internal Structure of The Distribution Box

What is a Distribution Box? Definition A distribution box is an essential electrical component used to manage and control the flow of electricity

Waterproof Circuit Breaker Box with Transparent Plastic Cover

TRANSPARENT COVER FOR EASY CHECK: The blue cover is transparent so that you can easily check circuit breaker state without opening it.
WATERPROOF & DURABLE: Made of high quality



Understanding Distribution Boxes: A Comprehensive Guide

Learn what a distribution box is, its types, and how to choose the right one for your project. Includes clear examples and expert tips.



Distribution Box Guide: Types, Components & Solutions

Understand distribution boxes (DB boxes) in 5 minutes. Learn about types, components, functions, and uses. Find the perfect DB box for your needs.

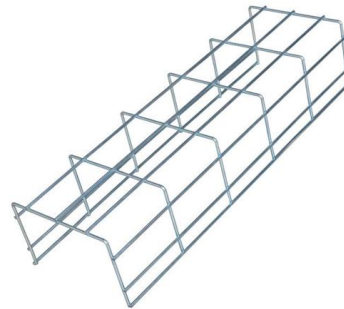


Breaker Box Distribution Protection Box, IP65 Clear Cover

This distribution box is designed for 5 ways circuit breaker, can be widely used for both indoor and outdoor applications. ?Openable Clear Cover?- You can observe the status of applications through

RACO MCB Distribution Box

Buy RACO MCB Distribution Box - 12-Way IP65 Waterproof Circuit Breaker Box Featuring a Transparent ABS Plastic Cover, Ideal for Household, Industrial, and Commercial Use. online on



Power Distribution Box, Lrp1D Series, Open Distribution Box with 15

Frosted PC Cover The dust cover of the distribution box is frosted and translucent black, which makes it dustproof and can clearly see the interior of the distribution box.



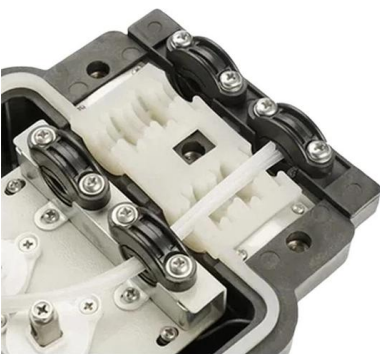
WPCV-15A-G , Electrical box covers , Carlon , Boxes

Carlon nonmetallic boxes. Made for quick and easy installation, code-compliance and durability, Carlon nonmetallic boxes and accessories are widely recognized



Circuit Breaker Boxes , McMaster-Carr

Choose from our selection of circuit breaker boxes, including over 50 products in a wide range of styles and sizes. Same and Next Day Delivery.



The Complete Guide to Distribution Box: Installation, Types & More

Home distribution boxes typically handle single-phase power supplies and contain 6 to 24 circuits. They include standard circuit breakers for lighting, outlets, and major appliances like water





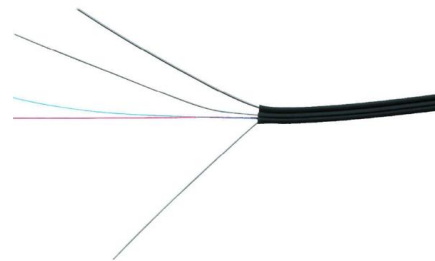
Atlantic International University

Hier sollte eine Beschreibung angezeigt werden, diese Seite lässt dies jedoch nicht zu.



RACO MCB Distribution Box

RACO MCB Distribution Box - 24-Way IP65 Waterproof Circuit Breaker Box Featuring a Transparent ABS Plastic Cover, Ideal for Household, Industrial, and Commercial Use.

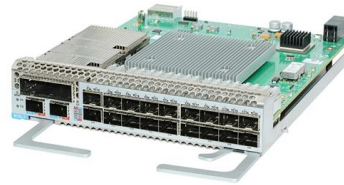


2-16 Ways Electric Box Cover Breaker Enclosure Distribution Box

Buy 2-16 Ways Electric Box Cover Breaker Enclosure Distribution Box Strong Current Circuit Breaker Panel online today! Description: Made of good quality plastic material, this circuit breaker distribution

Distribution Boxes Explained: Types, Functions, and

Learn about distribution boxes, their types, functions, and safety features to ensure efficient and secure electrical power distribution in any building.



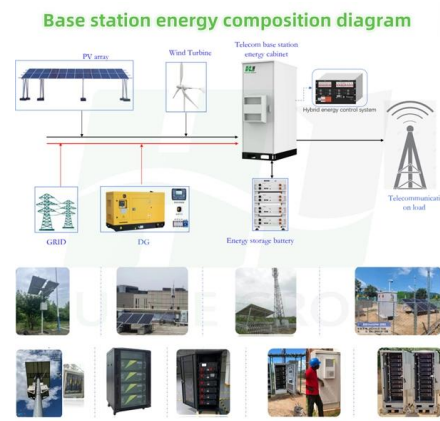
Amazon : DIN Rail Box

5 Way Circuit Breaker Box, IP65 Distribution Protection Box with Din Rail Abs Plastic Breaker Box Cover Miniature Electrical Breaker Box Enclosure for Indoor Outdoor Wall 200+ bought in past month Add



Complete Guide For Distribution Boxes Types

Distribution boxes, also known as junction boxes, electrical boxes, or panelboards, are essential components in electrical distribution systems. They serve as



sindr Outdoor waterproof transparent cover plastic distribution box HT

With compact dimensions of 310mm (L) x 195mm (W) x 110mm (H), this distribution box is designed to hold up to 15 circuits. Its IP65-rated waterproof construction and transparent cover ensure durability





What is an Electrical Distribution Box? A

It's recommended to check it annually or whenever you experience issues like frequent tripping. 3. What type of distribution box is best for a small



Distribution Boxes: Types and Functions

Learn what an electrical distribution box (DB/distribution board) is, its main components (MCB/RCCB/RCBO, SPD, busbar) and common types.

Contact Us

For datasheets, pricing, or custom telecom energy solutions, please visit:
<https://www.koskolong.co.za>