



Adam Tas Corridor Energy

Cracking the EXFO Optical Time Domain Reflectometer





Cracking the EXFO Optical Time Domain Reflectometer



EXFO Optical Time Domain Reflectometer : User Manual

Optical power meter EXFO's high-level power meter (GeX) can measure up to 27 dBm, the highest in the industry. This is essential for hybrid fiber-coaxial (HFC) networks or high-power signals. PAGE 6

Power Adapter Charger for OTDR EXFO MAX-730B Optical Time-Domain

Power Adapter Charger for OTDR EXFO MAX730C Optical Time-Domain Reflectometer \$58.00 + \$40.00 delivery



FE-1033-CO-ang V2

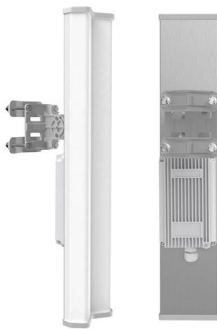
FE-1033 Introduction to OTDR Testing The optical time-domain reflectometer (OTDR) is one of the most complex instruments in fiber-optic testing.

New & Used Osa 7 Optic for sale. JDSU

This is the EXFO FTB-1-S1-8G OTDR (Optical Time Domain Reflectometer) with three



wavelengths (1310/1550/1625nm). This product is designed to be mounted on a main body using a modular design.



Navigating the Portable Optical Time Domain Reflectometer

The competitive landscape of the Portable Optical Time Domain Reflectometer (OTDR) market is characterized by rapid technological advancements and a focus on enhancing user

OTDR Testing Solutions , EXFO

These measurements and the fault detection are carried out by using an optical time domain reflectometer, commonly called an OTDR by the industry. What's an OTDR? Used to characterize



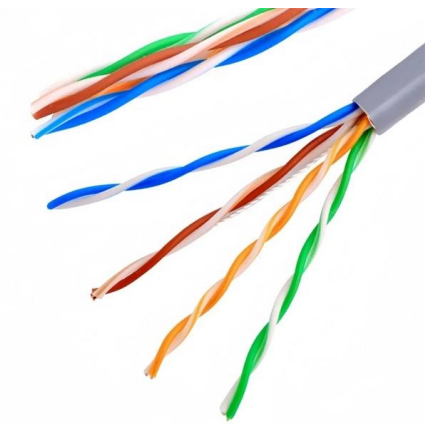
Optical Time Domain Reflectometer User Guide

This manual provides basic instructions for the use of EXFO OTDR series Optical Time Domain Reflectometers, including the setup of the device, measurement of optical cables, analysis of



User Guide OTDR

1 Introducing the OTDR The Optical Time Domain Reflectometer (OTDR) allows you to characterize a fiber-optic span, usually optical fiber sections joined by splices and connectors. Depending on the



Optical Time Domain Reflectometer

1 Introducing the OTDR joined by splices and connectors. The optical time domain reflectometer (OTDR) provides an inside view of the fiber, and can calculate fiber length, attenuation, breaks, total return

Navigating the Competitive Landscape of the Portable Optical Time

The competitive landscape of the Portable Optical Time Domain Reflectometer (OTDR) market is characterized by rapid technological advancements and evolving customer requirements.



MOT-200-D36

The MOT-200-D36 from OPTOKON is a Optical Time Domain Reflectometer (OTDR) with Event Dead Zone 3 m, Attenuation Dead Zone 8 m, Optical Wavelength 1310 to 1550 nm, Dynamic Range 34 to



EXFO Optical Time Domain Reflectometer

During its working process, the optical time domain reflectometer sends a series of fiber optic pulses into the fiber cable, the fiber signal light will be scattered back and reflected back because of the



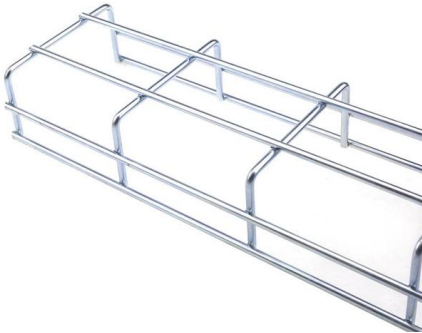
MAX

The MAX from EXFO Inc. is a Optical Time Domain Reflectometer (OTDR) with OTDR Measurement Time <3 seconds, Event Dead Zone 0.7 m, Attenuation

EXFO OTDR User Guide

EXFO OTDR is an optical time domain reflectometer that can be used to test the quality of optical fibers. It can be used to locate faults in fibers, measure the





GW34320A-FU

GW34320A-FU - Optical Time Domain Reflectometer (OTDR) from Shenzhen htfuture Co., Ltd. Get product specifications, Download the Datasheet, Request a Quote and get pricing for GW34320A-FU

Optical Time Domain Reflectometer EXFO MAX-730C

EXFO MAX-730C is iOLM-ready (iOLM - intelligent Optical Link Mapper, a dynamic application that turns complex OTDR trace analysis into a one-touch task).



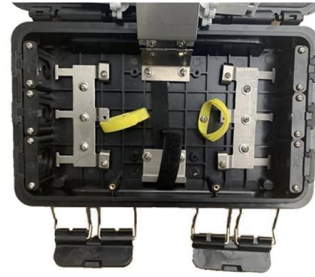
Fiber Optic Test & Installation Equipment , Fiber Testing

EXFO FTB-1v2 + FIP-430B Kit Optical Time Domain Reflectometer w/ FTBx-730C-SM8-OPM-EA EXFO FTB-1v2 OTDR kit with installed FTBx-730C-SM8-OPM-EA



Optimizing OTDR Measurement Parameters

The impact of the signal-to-noise ratio on the quality of event detection and measurement won't just go away on its own, this is why suppliers like EXFO optimize their OTDR parameters, providing the user



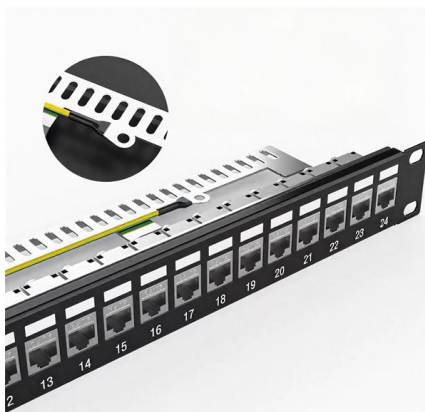
EXFO OTDR Quick Reference Guide , AI Chat & PDF

Below you will find brief information for Optical Time Domain Reflectometer. This Quick Reference Guide provides essential instructions for analyzing OTDR



Fundamentals of an OTDR

In the OTDR world, time is converted into distance; therefore, more reflection causes the detector to take more time to recover, resulting in a longer dead zone.



Top 10 OTDR Manufacturers & Brands: 2026 Buyer's Guide

When a fiber link goes down, your data center or telecom network bleeds money by the minute. The best solution for remote fiber fault detection and location is a high-performance Optical Time-Domain



Optical Time Domain Reflectometers , EXFO Inc.

QUEBEC CITY, April 27, 2023 -- The D-Series of Optical Time Domain Reflectometer (OTDR) solutions from EXFO are advanced field testing tools that



What is an optical time domain reflectometer (OTDR)?

Whether to characterize each component of the link, to pinpoint a potential problem with the fiber or to find a fault on your network, the use of an

PRODUCT FOCUS: OPTICAL TIME DOMAIN

Choosing an optical time-domain reflectometer for fiber testing requires careful scrutiny of manufacturers' data sheets.



Contact Us

For datasheets, pricing, or custom telecom energy solutions, please visit:
<https://www.koskolong.co.za>