



Adam Tas Corridor Energy

Cuba QSFP Optical Module 2 5G





Cuba QSFP Optical Module 2 5G



Cisco QSFP28 100G ZR Digital Coherent Optics Module Data Sheet

Cisco ® QSFP28 100G ZR extends 100GbE coherent links from QSFP28 ports reaching up to 80km over dark fiber and up to 300km over amplified Dense Wave Division Multiplexing

Cisco QSFP28 100G ZR Digital Coherent Optics Module Data Sheet

The Cisco QSFP28 100G ZR leverages the latest Common Management Interface Specification (CMIS) 5.2 management interface specification and is compliant to coherent CMIS. The



40G QSFP+ Transceiver Modules , Optical Transceivers

FS 40G QSFP+ optical transceiver module solutions offer a full range of QSFP+ modules from 150m to 80km reach, and used for high-density switching, routing

QSFP-DD Optical Transceivers Unlocking Faster

QSFP-DD Optical Transceivers deliver up to 800Gbps speeds, offering high bandwidth,



energy efficiency, and compatibility for modern networks



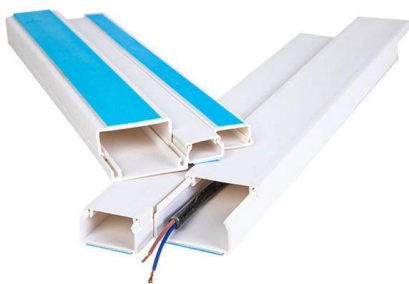
Optical Transceivers , Network Solutions for AI Cluster,

AI Computing Architecture Evolution: Scale-Up vs. Scale-Out and the Choice of Optical Modules
In the design of AI computing clusters, Scale-Up and Scale-Out



200G QSFP56 Optical Module Overview

Q: Does the 200G QSFP56 optical module comply with IEEE standards? A: The 200G QSFP56 optical modules are compliant with the IEEE 802.3bs standard. Q: What is the difference



Cisco 200G QSFP56 Cables and Transceiver Modules

The Cisco® family of QSFP modules provide solutions for AI/ML data center applications, Network Interface Cards (NICs) on servers, and for data



2.5G SFP Optical Transceivers , FS Transceiver

FS 2.5G SFP solution with low power consumption provides an ideal connection option for 2.5G Ethernet over Cat5e cable, switch to switch interface, and



The Ultimate Guide to SFP, SFP+, SFP28, QSFP+, and QSFP28:

This guide decodes critical distinctions between SFP, SFP+, SFP28, QSFP+, and QSFP28 modules--covering form factors, channel architectures (single vs. quad), and performance

100G QSFP28 FR1/LR1 Optical Transceiver

100 Gb/s FR1/LR1 QSFP28 Optical Transceiver is a small form-factor, high speed, and low power consumption product targeted for use in optical interconnects for data communications applications.



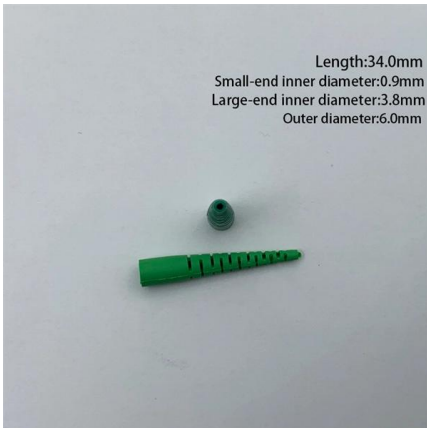
25G SFP28 Transceiver

QSFPTEK offers a 25G SFP28 high-performance Active Optical Cables integrated cable that can provide an ideal alternative solution for high-speed cables and short-distance SFP28 optical modules.



25G/40G Optical Transceiver Modules

Buy 25G and 40G fiber optic transceivers for high-bandwidth migration at QSFPTTEK online store. Cost-effective, compatibility guaranteed and same-day shipping.



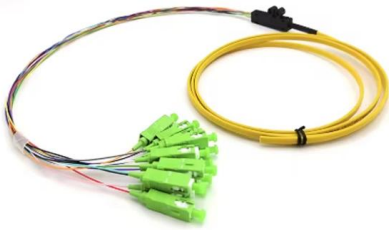
QSFP, QSFP+, and QSFP28: What You Need to Know

If you're looking for the most advanced optical module package on the market, look no further than QSFP. QSFP+ and QSFP28 are the two latest

Comprehensive Guide to 400G/800G QSFP-DD Optical

Boost AI, cloud, and 5G with QSFP-DD optical modules offering high bandwidth, low latency, and seamless scalability.



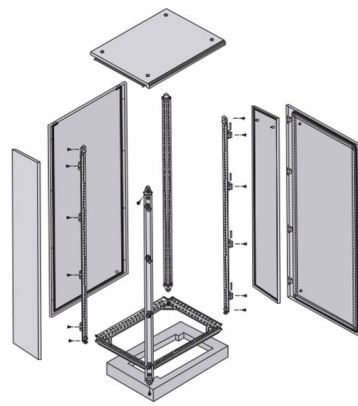


QSFP-DD Optical Transceivers for High-Speed

Connect with existing, lower speed QSFP modules with QSFP-DD backwards compatibility. Optimize thermal management with flexible heatsink

Splitting of QSFP+ and QSFP28 ports

Splitting of QSFP+, QSFP28 and QSFP56 optics Quad-SFP (QSFP+ and QSFP28) ports allow for four channels of lower-bandwidth communication. AOS-CX release 10.05 introduced this feature for



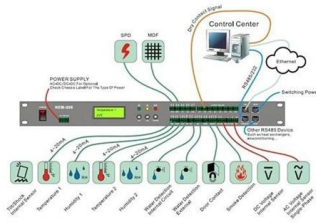
TE Connectivity

Hier sollte eine Beschreibung angezeigt werden, diese Seite lässt dies jedoch nicht zu.

QSFP vs SFP: Which Optical Transceiver Should You Choose in 2025?

As modern enterprise networks scale up to handle increasing data loads and higher bandwidth requirements, the choice of optical transceivers becomes critical. Among the most





Essential 5G Requirements: Configuring QSFP28 100G

This passage discusses the critical role of 100G Ethernet in 5G base station connectivity, focusing on its requirements for bandwidth, latency,

2.5G SFP - Optcore

SONET/SDH 2.5G SFP Transceiver Optcore 2.5G SFP transceivers are an industry-standard small form-factor pluggable module for SONET OC-48, SDH STM-16



Complete Guide to QSFP-DD, QSFP28, QSFP56,

As high-speed networks continue to evolve, optical transceivers like QSFP-DD, QSFP28, QSFP56, SFP56, and SFP28 have become the core components

QSFP, QSFP+, SFP, SFP+ transceiver modules and

First-class production technologies & skills, top-clean anti-static workshop and advanced production equipment, together with severe reliability test & quality





Optical Transceivers , Network Solutions for AI Cluster,

This article explores how to interconnect OSFP and QSFP-DD ports in 400G/800G networks, covering key principles, form factor differences, and practical solutions

Models, specifications, and compatibility

You are here: [Home](#) > [AOS-S and AOS-CX Transceiver Guide](#) > [QSFP-DD modules](#) > [200G Q-DD Optics, DACs, and AOCs](#)



2.5G SFP transceiver,2.5G single mode SFP fiber optical module

2.5G SFP transceiver,2.5G single mode SFP fiber optical module,1310nm DFB laser and PIN photo detector,10Km~20Km transmission with SMF

Cisco 400G QSFP-DD High-Power (Bright) Optical

Learn how Cisco 400G QSFP-DD High-Power (Bright) Optical module's small size and low power make it an optimal choice for a wide range of



Cisco 400G Digital Coherent Optics QSFP-DD Optical

Cisco now offers a range of all new 400G Digital Coherent QSFP-DD transceivers. Cisco already offers a range of Digital Coherent CFP2 transceivers



2.5G Switches for SMBs and Campus

Looking for Campus 2.5 Gb switches for Wi-Fi 6, cybercafes, or multi-rate networks? QSPTEK offers PoE++ and flexible 2.5G switches, allowing you to upgrade based on existing Cat5e wiring.



What is QSFP & QSFP+ Transceiver: An Ultimate Guide

QSFP AOC: Active optical cable with QSFP+ module on both ends, mainly for medium to long reach interconnectivity. Multimode QSFP: The MMF





QSFP-DD Optical Transceivers - MapYourTech

QSFP-DD (Quad Small Form-Factor Pluggable Double Density) represents a transformative advancement in optical transceiver technology,



Contact Us

For datasheets, pricing, or custom telecom energy solutions, please visit:
<https://www.koskolong.co.za>