



Adam Tas Corridor Energy

Cuban Active Optical Cable Maintenance DML





Cuban Active Optical Cable Maintenance DML

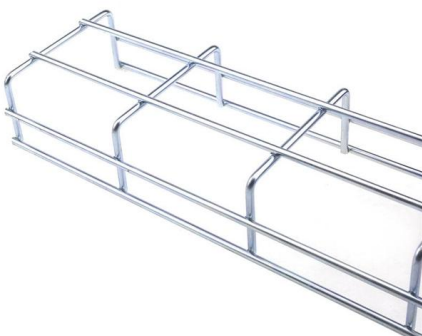


Understanding AOC Cables: The Ultimate Guide to

The Active Optical Cable (AOC) works by converting electric signals to optical signals through transceivers that are embedded in the cable. Such

'Curious' Cuban net cable has activated, researchers say

Slow internet download speeds have been a frustration for Cuban internet users. A high-speed fibre-optic cable connecting Cuba to the global internet appears to have finally been activated.



New international submarine cable to start operations next April

Cuba will have ready next April the operational capacities of the Arimao international submarine fiber optic cable project, after the physical laying of the cable across the sea between the

OOM-TR-PON-Ops-V01-250602

This report will serve to align the cable industry on telemetry to support optical operations use cases, maintenance use cases, and operator



needs for assuring service over optical access technologies. It

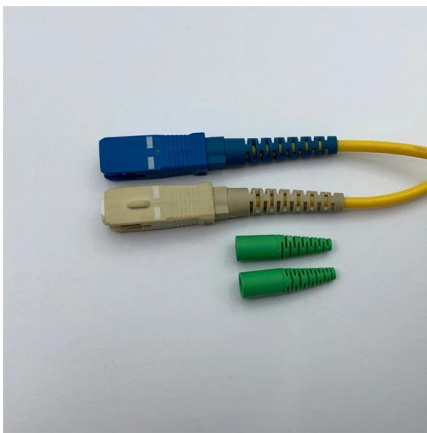
Pre-Terminated Patch Panel

- Multi-application support
- Flexible configuration
- Modular design



Maintenance of Access Network Optical Fibers

However, maintenance of a PON drop cable requires care because the rest of the network other than the faulty drop cable is still in-service. If a test is run in the in-service condition using an OTDR at the



Guantánamo to Dania Beach: Fiber-optic connection

Contractors are finishing the work on a fiber-optic cable between Florida and the U.S. Navy base at Guantánamo Bay, Cuba, and hope to turn it on



Bridging the Atlantic: How subsea partnerships drive high-speed

Subsea cables form the backbone of the global information and communications ecosystem, carrying vast quantities of data across continents and oceans. Their security and resilience are fundamental



OOM-TR-PON-Ops-V01-250602

This report will serve to align the cable industry on telemetry to support optical operations use cases, maintenance use cases, and operator needs for assuring service over optical access technologies.



Cuba Active Optical Cable Market (2025-2031) , Industry & Revenue

6Wresearch actively monitors the Cuba Active Optical Cable Market and publishes its comprehensive annual report, highlighting emerging trends, growth drivers, revenue analysis, and forecast outlook.

Alcatel Support Document For Cable System in Cuba

Cuba-Venezuela Submarine Project Benefits 2/2
Alcatel Shanghai Bell is the safest and most reliable partnership to ensure long-term viability combined with



Optical Fiber Maintenance Guide

This document outlines a comprehensive maintenance plan for optical fiber networks, detailing key components such as regular inspections, preventive and



How to Maintain Fiber Optic Cables and Connectors

Learn some best practices for maintaining fiber optic cables and connectors, such as inspecting, cleaning, storing, handling, and testing them regularly.

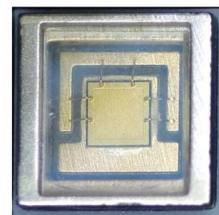


Cuba expedites the connection process for international fiber optic cable

After the physical laying of the cable between Martinique and the central Cuban province of Cienfuegos has been completed, the Ministry reports that the connection process and further tests

Cuba Active Optical Cables Market (2025-2031) , Trends, Outlook

6Wresearch actively monitors the Cuba Active Optical Cables Market and publishes its comprehensive annual report, highlighting emerging trends, growth drivers, revenue analysis, and forecast outlook.





SUBSEA CABLES

Modern subsea cables use optical fibre technology to transmit communications data literally at the speed of light. Close to shore subsea cables are thicker and strengthened with armour, but for most

Cuba speeds up connection process for international

The Ministry of Communications says work is now underway to establish a new international fiber optic cable - Arimao, which will bring with it an increase and



Detailed Guide on AOC (Active Optical Cable): From

Following the continuous increase in data transmission rate and expansion of data centres, it is imminent that the conventional traditional cables

ITU-T Rec. L.25 (10/96) Optical fibre cable network maintenance

In this case, the possibility of optical fibre cable maintenance is to re-route traffic to an alternate path, to perform testing to find the fibre fault location, and to utilize a restoration cable kit to make a



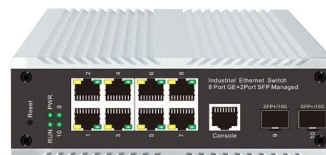
The FOA Reference For Fiber Optics

Some people have suggested that fiber optic networks need periodic maintenance, including microscopic inspection of connectors and mating adapters and even



Fiber Optic Cable Lifecycle Guide: Selection, Maintenance

Fiber optic cables are a critical component in modern networks, with their performance directly affecting the stability of data centers and enterprise networks. Effective lifecycle management



MacSkills Training & Development Institute

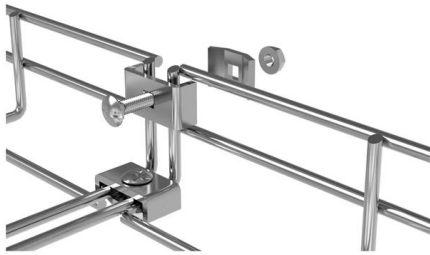
Connecting Continents: Subsea Cable Installation and Maintenance Training Course Introduction
Subsea cables form the backbone of global connectivity, transmitting over 99% of the world's internet





Cuba Active Optical Cable Market (2025-2031) , Industry & Revenue

Our analysts track relevant industries related to the Cuba Active Optical Cable Market, allowing our clients with actionable intelligence and reliable forecasts tailored to emerging regional needs.



Maintain Active Optical Cables , Juniper Networks

If there is a cable management system, arrange the cable in the cable management system to prevent the cable from dislodging or developing stress points. Place

Ultimate AOC Cable Guide: Active Optical Cables

Discover how AOC cable (active optical cables) works, benefits, types, and tips for using AOC cable solutions in high-speed systems.



ARIMAO (cable system)

ARIMAO communications cable between Cuba and Martinique The ARIMAO submarine fiber optic cable is designed and deployed to improve internet connectivity between the islands of Cuba and Martinique.



Cuba's mystery fiber-optic Internet cable stirs to life , Reuters

An undersea fiber-optic cable that promises to bring Cuban Internet and phone communications into the 21st Century stirred to life this week, two years after it was laid between



Fibre Optic Cable Maintenance Handbook , PDF

This document provides information on fibre optic cable maintenance including: - The basic construction of optical fibres with a core, cladding, and coating that guides

CIGRE Study Committee D2

It shall cover the complete process including cable design and assessment, cable engineering, cable pulling and installation, cable commissioning, cable asset condition monitoring and cable





Preventive Maintenance of Fiber Optic Cables and Optics

General safety precautions are discussed within this document but care should be taken to consult and follow your specific optical device manuals as well as the safety precautions outlined for the chemical

Atlantic Cable Maintenance & Repair Agreement (ACMA)

The Atlantic Cable Maintenance Agreement (ACMA) is a non-profit cooperative subsea maintenance agreement consisting of nearly 60 members. ACMA members are companies responsible for the



ITU-T Rec. L.25 (01/2015) Optical fibre cable network maintenance

Summary Recommendation ITU-T L.25 deals with general features in relation to the maintenance and operation of optical fibre cable networks. This is the latest revision of a Recommendation that was

Contact Us

For datasheets, pricing, or custom telecom energy solutions, please visit:
<https://www.koskolong.co.za>