



Adam Tas Corridor Energy

Custom Fiber Optic Distribution Box 2 Cores





Overview

The 2 Cores Fiber Distribution Box (FDB-102A-1) IP-55 SC Connector PLC Splitter is a compact and rugged outdoor enclosure designed to provide a safe and secure environment for fiber optic cables and splices. Fiber distribution box is suitable for the wiring connection of optical cable and optical communication equipment, through the adapter in the wiring box, the optical jumper leads the optical signal, and realizes the optical wiring function. to protect optical fiber splicing points, distribute and schedule optical fiber routings.



Custom Fiber Optic Distribution Box 2 Cores

FTTH Box 2 Cores Fiber Optic Box- PC And ABS With



This is FTTH Box, a 2-core fiber optic distribution box with PC ABS material, CE RoHS FCC certified, ideal for FTTH networks, waterproof dustproof.

Industrial Fiber Optic Distribution Boxes , 1-24 Cores FDB & ODF

OTRANS is a leading fiber optic distribution box manufacturer. We offer a wide range of 1-24 core FDB boxes and ODF cabinets for indoor/outdoor FTTH deployment. Durable, IP65 rated, and easy to



24 Core Fiber Optic Distribution Box

JUNPU 24 Core fiber optic distribution box is made with PC+ABS material. The equipment is used as a termination point for the feeder cable to connect with drop cable in FTTH communication network

2 Core Cassette Type SC Adaptor Fiber Optic

The 2 Core Fiber Optic Distribution Box serves as a termination point for feeder cables to connect



with drop cables in FTTX communication networks. It

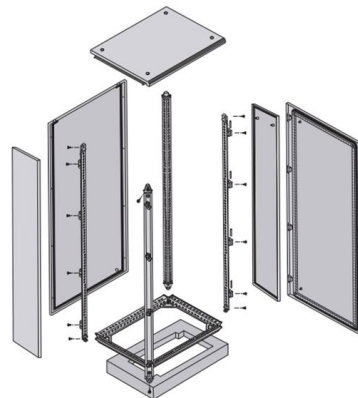


Custom Optical Fiber Distribution Box Supplier, Cable Distribution Box

Find Details about Fiber Optic Distribution Box, optical fiber distribution box, cable distribution box on Carefiber Optical Technology Co.,Ltd.

Indoor 8 Core Fiber Distribution Box for Optical Cable , CRXCONEC

The 8-core fiber distribution box features a windowed design, suitable for installers performing fiber maintenance without removing the entire box cover. They only need to unscrew and open the



Fiber Optic Distribution Box

Choose MellaxTel for custom Fiber Optic Distribution Boxes - pre-installed or not. With in-house production of patch cords, pigtails, adapters, and splitters, we give



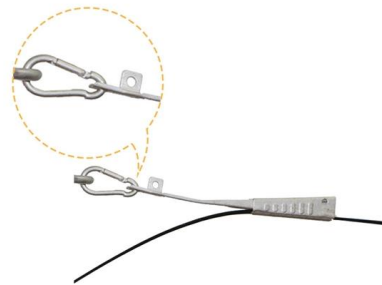
2 Cores Fiber Distribution Box (FDB-102A-1)

The box is equipped with 2 SC fiber optic connectors and a PLC



4 Core Fiber Termination Box with 12 Outlet Ports -

indoor& outdoor 12 port Fiber Access Terminal Box can hold 2 sc duplex adapter for 4 core termination,allows 8 splice and 1x4 optical signal splitting.



Fiber Optic Distribution Box , 8/12/16/24/48 Cores, IP-Rated, PLC Ready

Indoor/outdoor fiber optic distribution boxes for FTTH/FTTB. 8-48 cores, IP-rated sealing, splice trays, adapter panels (LC/SC/FC/ST), PLC splitter support, OEM/ODM, fast delivery.



Top-Quality Fiber Optic Distribution Box Supplier

Your Fiber Optic Distribution Boxes Supplier in China Bativ is your one-stop supplier for all custom & urgent need fiber distribution box solutions. There are many



2 Core Cassette Type SC Adaptor Fiber Optic

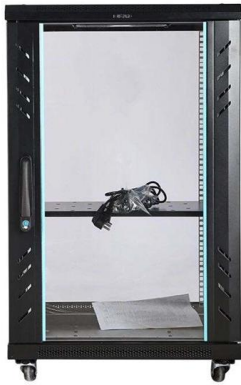
The 2 Core Fiber Optic Distribution Box serves as a termination



Industrial Fiber Optic Distribution Boxes , 1-24 Cores

OTRANS is a leading fiber optic distribution box manufacturer. We offer a wide range of 1-24 core FDB boxes and ODF cabinets for indoor/outdoor FTTH deployment.





Top-Quality Fiber Optic Distribution Box Supplier

Secure and organize your fiber optic connections with our durable distribution boxes. With various sizes and configurations available, we offer reliable solutions to meet

Switchcom Distribution 4 Cores Fibre Distribution Box

Overall, the 4 Cores Fibre Distribution Box is an essential tool for any network administrator looking to optimize their fiber optic setup. It's a high-quality, versatile solution that will help you get the most out



Best FTTH Plastic Distribution Fiber Optic Termination

Fiber Optic Termination Box , 8 Cores FTTH Plastic ABS Fiber Optical Distribution Box 2 Ports IP65 UnitekFiber is a group company in producing fiber

Fiber Box Manufacturer & Supplier

Gcabling: preferred optical distribution box supplier Gcabling specializes in providing one-stop solutions for the last 1KM network cabling! Our company has a



Custom Optical Fiber Distribution Box Supplier, Cable Distribution Box

Check it! Find Details about Fiber Optic Distribution Box, optical fiber distribution box, cable distribution box on Carefiber Optical Technology Co.,Ltd.



12 Cores Fiber Optic Distribution Box-NEATEL COMMUNICATION

NEATEL's distribution box terminates outside optical cables with up to 12 fibers; it allocates 12 adapters for connecting with max 12 drop cable pigtails, it is also suitable for using with mini splitters. The box



FBR-11604 Fiber-Optic Distribution Box, 2-Core

FBR-11604 Fiber-Optic Distribution Box, 2-Core is a high quality product by Bud Industries used for electronic enclosure applications.



12 Port Fiber Access Terminal Box with 2 Cable Inlet For

The 2 ports fiber optic junction box allows max 12 cores splicing and 1x8 splitting, Widely used in residential, business buildings for cable distribution.



Durable FTTH Terminal Box , Fiber Termination

Explore reliable FTTH terminal boxes for secure fiber termination and distribution. Wall-mounted design, robust build, for home and industrial optical networks.

4 Core PLC/SC Adapter Fiber Optic Distribution Box

The Fiber Optic Distribution Box is a multifunctional termination point to connect feeder cables with drop cables in FTTH communication network



2 in 2 out 16 Core Fiber Cable Distributio Box For 1x16

Free Sample, The 2 in 2 out 16 cores fiber optic distribution box is designed to joint feeder cable with drop cable in FTTH network.



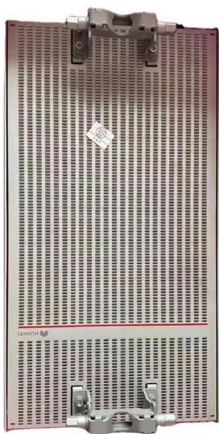
2 Core Fiber Optic Distribution Box FTTH Optical Fiber

All products can be custom manufactured to fit customer requirements. If you need something special, Nia Fiber can design and manufacture a custom fiber optic



Fiber Distribution Box & Terminal Box , Top-Quality

Specializing in both copper and fiber solutions, our products are designed for superior performance in data centers and FTTH applications. With over 35 years



24 Cores IP68 Fiber Optic Distribution Box

This box is used as a termination point for the feeder cable to connect with drop cable in FTTH communication network system. It integrates fiber splicing, splitting, distribution, storage and cable



FDB-4D 4 Cores 4 Ports Compact Fiber Distribution Box

The FDB-4D Fiber Optic Distribution Box is perfect for FTTH projects, offering IP55-rated protection for indoor and outdoor use. Supports 4 SC adapters and a 1:4

Contact Us

For datasheets, pricing, or custom telecom energy solutions, please visit:
<https://www.koskolong.co.za>