



Adam Tas Corridor Energy

Custom processing of Singapore SC-type fiber optic connectors





Custom processing of Singapore SC-type fiber optic connectors

Mastering SC Fiber Optic Connectors

SC Fiber Optic Connectors: Guide to UPC/APC, Singlemode/Multimode. Choose, install & test for MRO/OEM needs.



SC Fiber Optic Connectors

SC Fiber Optic Connectors are used for equipment cross-connects or interconnects in backbone, horizontal and work area applications. SC connectors are recommended by TIA/EIA-568-B.3 at the



FuseLite® Connectors SC Single-mode (OS2) UPC

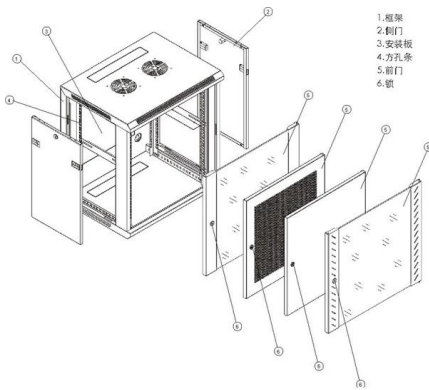
The FuseLite® Splice-On Connector enables fast, reliable fusion splicing connectivity for local area networks and offers flexibility for repairs and restoration of connectivity.

SC Type Fiber Optic Connectors

SC intermate test by NTT certified connector. Flame resistant Satisfies flammability rating UL94V-0. Three types of Duplex SC connector



Available in following types; Flexible F type - Floating



Fiber Connectors

The differences between types of connectors can easily be overlooked in the complex planning around fiber deployments. However, taking the time to select

Fibre Optic Singapore , Fiber Termination , Fibre Splicing Cabling

Fiber Tech is provide services of Fibre Optic, Fiber splicing, Fibre Termination and Fiber Termination & Cabling contractor in Singapore, Optical Fibre Cable, Singapore fibre. Call Us at 65 8055 9743.



Fiber Optic Manufacturers in Singapore: Reliable Solutions by Actenn

Fiber optics play a central role in enabling fast, secure, and interference-free data transmission. As one of the leading fiber optic manufacturers in Singapore, Actenn delivers precision-engineered solutions



2m (7ft) SC-SC Mode Conditioning Fiber Optic Patch Cable

Features SC Equip to SC OM1 Mode Conditioning Fiber Optic Patch Cable Compliant with IEEE 802.3z standard, MCP Cable is specially used for singlemode and multimode interconnection and applied



Custom SC Fixed Fiber Optical Attenuator, SM/MM

FS custom SC SM/MM fiber optic attenuators with leading attenuating fibers make sure consistent and stable fiber attenuation for wdm transmission all the time.

Fiber Optic Connector Types: SC, LC, ST, FC, MTP/MPO , Weunion

As a leading provider of fiber optic solutions, Weunion understands the critical role of connectors in modern networks. This in-depth guide explores the technical nuances, applications, and best



Fiber Optic Cable Assembly Guide , LC, SC & ST Connectors Explained

Learn how to select and test LC, SC, and ST connectors for reliable fiber optic cable assemblies. Includes polish types, OFC



Connector Types in Fiber Cabling: Comparison of SC,

Among different fiber optic connectors, the four most common types are SC, LC, ST, and FC. This article will provide a detailed introduction to the



A Breakdown of Fiber Optic Patch Connectors and Their

A comprehensive guide to fiber optic connectors including FC, SC, LC, ST, and MPO/MTP types.

Fiber Optic Cable Splicing

FS offers a range of fiber optic cable splicing devices, such as fusion splicing, fiber optic cleaver, protection sleeves for fiber network expansion.



Types of Fiber Connectors , LC, ST, SC

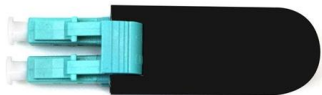
Find out the difference among fiber optic connector types LC, ST, SC including which is push-pull, which uses a locking mechanism and which is most



- IP65/IP55 OUTDOOR CABINET
- WATERPROOF OUTDOOR CABINET
- 42U/27U
- OUTDOOR BATTERY CABINET

SC Fiber Optic Pigtail

We supply the single mode 9/125, multimode 50/125 and multimode 62.5/125 types SC fiber optic pigtail cables. They are with various PC, UPC, and APC connectors respectively. Our SC fiber pigtails are



SC Fiber Optic Pigtail

We supply SC fiber optic pigtails, including the single mode and multimode types, these SC fiber pigtails are with premium grade connectors and with typical 0.9mm outer diameter cables.

Everything You Need to Know About SC Connectors

Learn all about SC connectors and fiber optic connectors in our comprehensive guide. From design to advantages, we cover everything you need





Connectors

advanced LX.5 small form-factor connector system and high density MPO multi-fiber interconnects, Amphenol leads innovation in fiber optic connector technology. Product Breadth. Amphenol offers a

What is an SC cable and how does it work? - Fiber

An SC cable, often referred to as an SC connector cable, is a type of fiber optic cable terminated with SC (Subscriber Connector) connectors on both



ST Fibre Optic Connectors , element14 Singapore

Buy ST Fibre Optic Connectors. element14 Singapore offers fast quotes, same day dispatch, fast delivery, wide inventory, datasheets & technical support.

Fiber Optic Connector Types Guide , LC, SC, MPO, ST

Fiber optic connector types explained: LC, SC, ST, MPO, MTP. Learn key differences for your network setup.



LC Fibre Optic Connectors , element14 Singapore

Buy LC Fibre Optic Connectors. element14 Singapore offers fast quotes, same day dispatch, fast delivery, wide inventory, datasheets & technical support.



SC Fiber Optic Connector , Strantech

Stran Technologies has specifically designed these connectors with an integral ferrule assembly plus a connector body, which offers long-term reliability of the



LC Connectors vs SC Connectors: A Complete Guide to

LC Connectors vs SC Connectors: Key Differences, Principles, and How to Choose By fiberlife. Posted on November 20, 2024 Fiber optic cables





What are SC connectors? , Connector Supplier

Illuminate your knowledge on SC connectors, the backbone of many optical networks. Discover their design and advantages at Connector Supplier.



Fiber Optic Connector Types: SC, LC, ST, FC, MTP/MPO , Weunion

Explore major fiber connector types (SC, LC, ST, FC, MTP/MPO) with Weunion. Learn applications, specs, and best practices for data centers & telecom. Contact for custom solutions.

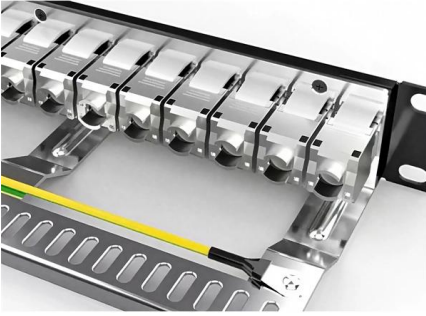
Singapore Fiber Optic Supplier

Pearlyond Technologies Singapore is a leading fiber optic supplier specialize in manufacturing and sales of fiber optic patch cords and fiber optic test equipment, the company is well known for the quality



Fibre Optic Connectors , Cable Connectors , RS

The SC, or Standard Connector, features an easy to use push-pull latching system for quick connect and disconnect. These fibre optic connectors have a 2.5mm ferrule and are suitable for many Datacom



Contact Us

For datasheets, pricing, or custom telecom energy solutions, please visit:
<https://www.koskolong.co.za>