



Adam Tas Corridor Energy

Customization Process for Hollowed-out Distribution Boxes





Overview

Customize dimensions and mounting options to enhance ventilation, heat dissipation, and overall system efficiency based on installation requirements. Distribution boxes are commonly used across various sectors such as industrial, commercial, residential, and municipal areas. Different applications require unique configurations: Industrial Plants: High-voltage distribution panels with robust enclosures, corrosion resistance. Learn the step-by-step process of customizing complete distribution boxes tailored to your needs. Design Flexibility: Beyond the Basics Can they handle odd sizes?

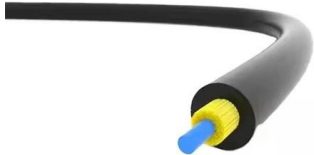
Integrate specialized ports?

Use graphene-coated conductors instead of copper?

If a. Ordering custom boxes online has never been easier, but not all options are created equal.



Customization Process for Hollowed-out Distribution Boxes



ERP Customization vs. Out-of-the-Box: Striking the

A hybrid strategy, combining customization with out-of-the-box functionalities, can yield optimal results. For instance, a wholesale distributor might leverage the core

Custom Boxes Online: Step-by-Step Guide to the

Here's what you need to know about ordering custom boxes online. Plus find out how Packrite takes your packaging from concept to completion with



1.An Ultimate Guide for Metal Distribution Boxes

Among the various types of distribution boxes, metal distribution boxes stand out due to their durability, fire resistance, and grounding capabilities. This article explores

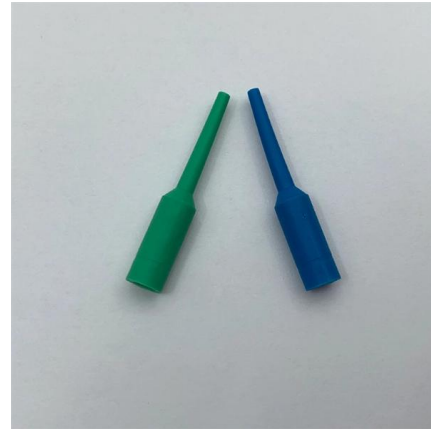


The Manufacturing Process Of Our Power Distribution Boxes

The Manufacturing Process Of Our Power Distribution Boxes We understand that not



everyone is technically minded, but that doesn't stop some of our customers from getting curious about exactly

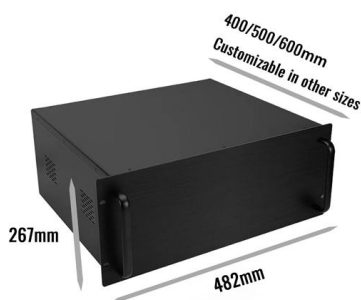


BULK DISTRIBUTION BOXES

Hamilton's Bulk Distribution Boxes are modular and additional material outlets may be added as your needs grow. Any module may be directed towards your material destination to ensure the easiest

Customizing distribution boxes based on customer application scenarios

Discover how E-Abel customizes electrical distribution boxes to meet unique requirements for industrial, commercial, and residential applications. Learn about our design,



Custom Boxes Manufacturer , Wholesale Supplier of

Custom boxes with logo provide an excellent means to enhance brand loyalty, raise brand awareness through a 'wow' unboxing experience, and reduce costs. The



Custom Box Builder , Easy Customization on Pacdora

With Pacdora, you can become your own custom box builder! Start with our ready-to-print templates, then personalize the size and material to match your product



Tackling Order Customization Challenges in Distribution

In distribution, every order customization adds complexity, often forcing distributors to rely upon manual processes just to get orders out.

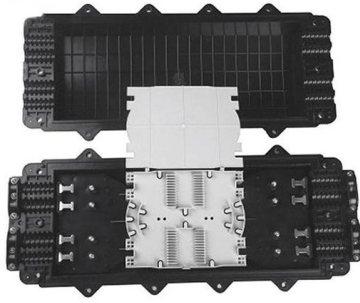
ERP Customization vs. Out-of-the-Box Solutions: Pros

Discover the pros and cons of ERP customization vs. out-of-the-box solutions in our manual. Explore key considerations and practical steps.



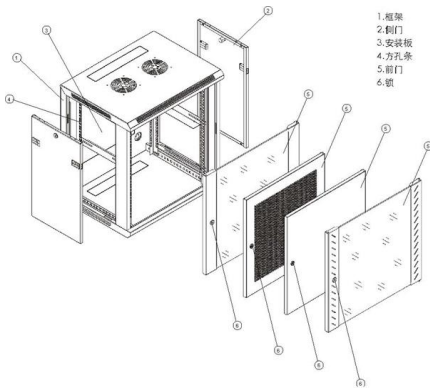
Distribution Box: Key Features, Applications, and

Top One Tech Can Customize Distribution Box For Your Needs Top One Tech factory equipped with state-of-the-art machinery including laser cutting,



Custom Packaging Boxes USA , Wholesale Printed

Fast 8-12 day production. Free USA shipping. Get premium quality custom boxes at wholesale prices! Hola Custom Boxes offers eco-friendly, durable packaging



Distribution Box Manufacturing Process , Custom Electrical Enclosure

Learn the step-by-step distribution box manufacturing process--from design and material selection to assembly and testing. E-abel provides high-quality electrical enclosures with customization options

Customization of a complete distribution box

Learn the step-by-step process of customizing complete distribution boxes tailored to your needs. From requirement confirmation to design,



How to Optimize Your Electrical Distribution Box Design With Custom

In summary, optimizing electrical distribution box design through custom services is essential for meeting specific project needs and enhancing overall performance.



Step-by-Step Guide to Custom Cardboard Box

The manufacturing process of Custom Cardboard Gable Boxes involves a series of intricate steps, from material selection to packaging and distribution. Each stage



Corrugated box design

Corrugated box design is the process of matching design factors for corrugated fiberboard (sometimes called corrugated cardboard) or corrugated plastic boxes with the functional physical, processing and



Custom Packaging Boxes: Design your Own with

Create premium product boxes & unique custom packaging tailored to your business needs. Build branded designs that leave a lasting impression with PackMojo.



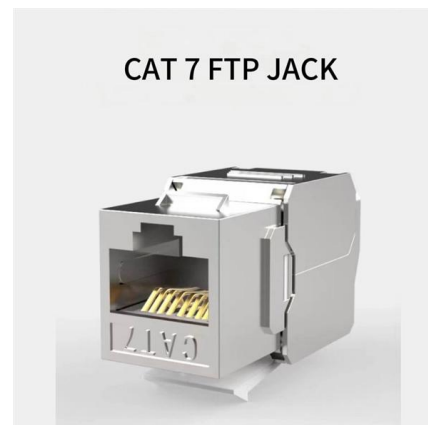
Customization Of A Complete Distribution Box

Learn the step-by-step process of customizing complete distribution boxes tailored to your needs. These Distribution Cabinets are to be outdoor type and to be fabricated out of 2 mm GI sheet steel.



Customizing distribution boxes based on customer

Functional testing: Conduct functional testing on customized distribution boxes to ensure regular operation of all functions. Quality control:





Custom Box Makers: Custom Boxes Designed for Your

We offer a wide variety of custom boxes, including mailer boxes, rigid boxes, retail packaging, food boxes, cosmetic boxes, CBD boxes, soap boxes, candle boxes,

Understanding Distribution Boxes: A Comprehensive Guide

A distribution box, also known as a power distribution box or electrical distribution box, is used to distribute electrical power safely to multiple

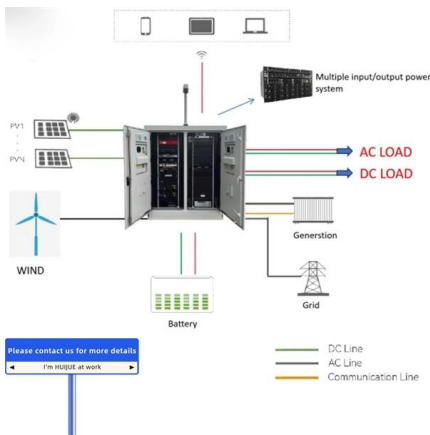


Customization Capabilities in Distribution Boxes: Core Aspects to

Tomorrow's distribution boxes won't just distribute power--they'll predict failures, self-heal minor faults, and talk to cloud dashboards. Suppliers locking you into monolithic designs today are selling relics.

Custom Boxes: How to Create Custom Boxes and

Custom boxes allow a business' brand to travel throughout every step in the shipping and handling process, ensuring that customers are left with an



Customized distribution box based on customer application scenarios

Explore the benefits of a customized distribution box tailored for your needs. Contact experts today for safe, reliable, and scalable electrical solutions!

Customization of Rigid Boxes: Process, Techniques

Customization of rigid boxes is a strategic process that blends design, materials, and branding into a single packaging solution. From initial consultation



Contact Us

For datasheets, pricing, or custom telecom energy solutions, please visit:
<https://www.koskolong.co.za>