



Adam Tas Corridor Energy

Distance of underground optical cables from the ground





Overview

The short answer, based on general industry standards and the National Electrical Code (NEC), is that fiber optic cable is typically buried between 24 inches (60 cm) and 30 inches (76 cm) deep. However, simply hitting this depth isn't enough to guarantee your network survives. Underground cables are pulled in conduit that is buried underground, usually 1-1. Project success depends on careful planning, precise installation practices, and proper. Placing cables underground has the added benefits of reducing transmission losses, aiding planning consent and reduced risk of service supply loss through extreme weather.



Distance of underground optical cables from the ground

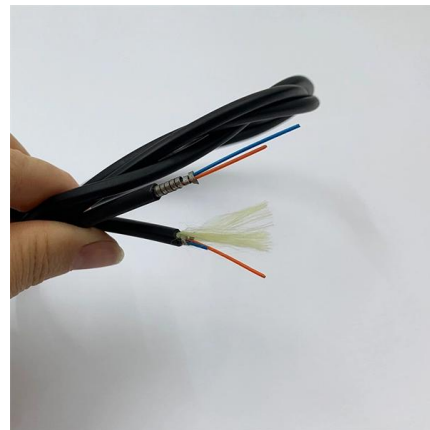


Latest Fiber Optic Technology 2025 for Faster Networks

Stay ahead with the latest fiber optic technology in 2025. Learn innovations driving speed, efficiency, and smarter network solutions.

OPTICAL FIBRE CABLE APPLICATIONS GUIDELINES

II. Armoured Optical Fibre Cable (Underground Installation - Directly Buried): The Armoured Optical Fibre Cable of Multi-Loose Tube construction type is mechanically protected by corrugated armour.



Underground Fiber Optic Cable Installation: Top 5 Best

Explore expert tips and best practices for underground fiber optic cable installation, ensuring efficiency and reliability. Get insights now!

How Deep is Fiber Optic Cable Buried: Installation Guide

Bury cables from 12-36 inches (or 30-90 cm)



deep. Where plant life, sidewalks, and other utilities already disrupt earth, it's safer to bury at as little as 24 inches or 60 cm, using protective conduits to limit the



Underground Installation of Optic Fiber Cable Placing

Placing cables underground has the added benefits of reducing transmission losses, aiding planning consent and reduced risk of service supply loss through extreme weather. This practice covers the



How Deep Are Fiber Optic Cables Buried? Detailed

Learn how deep fiber optic cables are typically buried (12-36 inches) and what factors affect their burial depth. Avoid damage and ensure proper



Kaggle

" 'new',n", " 'ground',n", " 'must',n", " 'let',n", " 'desire',n", " 'simply',n", " 'take',n", " 'br',n", " 'br',n", " 'noticed',n", " 'film',n", " 'dark',n", " 'showed',n", " 'reality',n", " 'maybe',n", " 'contrast',n",



Underground Fiber Optic Cable: The Complete Guide

This guide examines structural design, installation methods, material selection, protection strategies, cost variables, and long-distance deployment

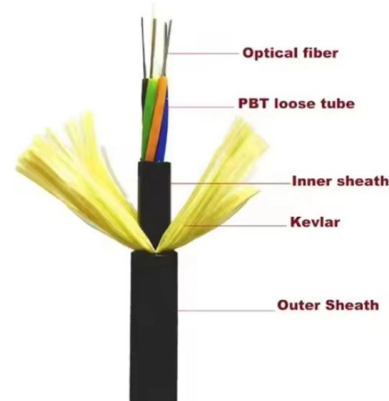


Direct-Buried Installation of Fiber Optic Cable

Personnel feeding cable into a feed-chute must make sure that they do not position themselves inside a cable loop. Hearing protection may be required by vehicle operators. Pre-ripping provides a safety

Safe Fiber Optic Cable Installation Underground

Fiber optic cable installers enable data transmission over long distances with higher bandwidth than electrical cables, making them essential for modern



Underground Cable Burial Depth Calculator

Estimate minimum burial depth (cover) for underground electrical, fiber, and low-voltage cable runs using a practical, code-aware ruleset. Use this page to plan trench depth, compare conduit options,



How Deep to Bury Fiber Optic Cable: A Best Practice

Installing a robust and reliable fiber optic network requires carefully determining the optimal burial depth. Proper cable placement protects your

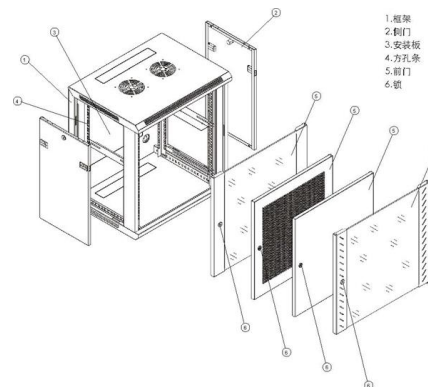


Underground Buried Pipe & Cable Locators, GPR, Laser

Fiber Optic test equipment. OTDR. Optical Power Meter & Light Source. Telecom Copper Testers. TDR. Discover TestPro CV100 and Network Service Assistant

How To Find Buried Fiber Optic Cable?

How To Find Buried Fiber Optic Cable: A Comprehensive Guide Fiber optic cables are critical components of modern communication infrastructure, often buried underground for protection



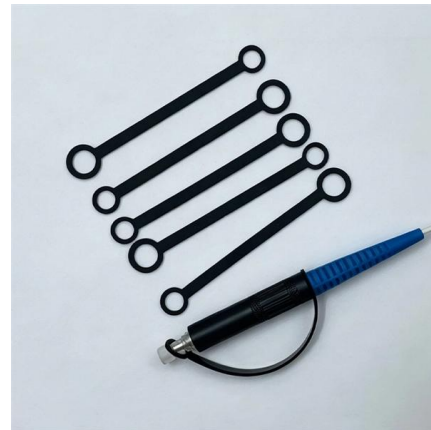


How Deep Are Fiber Optic Cables Buried? Detailed Guide for Safe

When planning a fiber optic network installation, one of the most common questions is: How deep are fiber optic cables buried? Proper burial

Underground Installation of Optic Fiber Cable Placing

Fiber optic cables have provided a more optimal use of available underground conduit space because of its small cable diameter and the much higher communications traffic capacity of each cable.



Fiber optic network installation in the ground

Learn how fiber optic networks are installed in the ground. This article explains common underground installation methods and

The FOA Reference For Fiber Optics -Outside Plant

Where no physical barrier exists, no duct or cable shall be laid within a distance of 600mm (24 inches) measured horizontally, nor cross within a distance of 300mm





5 rules for placing fiber-optic cable in underground plant

A new OFS technical guide covers comprehensive steps for installation of fiber-optic cable in underground plant.

Underground Fiber Optic Cable Installation: A Complete

A1: Underground fiber optic cables are typically buried 18-36 inches, depending on local regulations, soil type, and site conditions. In urban areas,



The FOA Reference For Fiber Optics -Outside Plant

The following items are key considerations in preparation for installing the fiber optic cable when the construction is ready for cable placement. Optical fiber cable

How Deep Is Fiber Optic Cable Buried? (2025 Nec

The short answer, based on general industry standards and the National Electrical Code (NEC), is that fiber optic cable is typically buried between 24 inches (60 cm)



Fiber-optic cable

Different types of cable are used for fiber-optic communication in different applications, for example long-distance telecommunication or providing a high

underground fiber optic cable installation standards

The depth at which fiber optic cables are buried directly impacts their protection from damage and environmental factors. Requirements vary based on location, cable type, and local



Contact Us

For datasheets, pricing, or custom telecom energy solutions, please visit:
<https://www.koskolong.co.za>