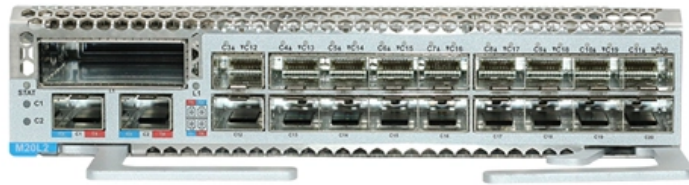




Adam Tas Corridor Energy

East African tubular busbar manufacturers supply





East African tubular busbar manufacturers supply

- ✓ Slow Axis Aligned (0°) - for standard sensing applications
- ✓ Fast Axis Aligned (90°) - for special modulation applications
- ✓ 45° Axis Aligned - for depolarizer applications



Maksal Tubes

Presently Maksal is a privately owned company and the biggest copper tube manufacturer on the African continent, supplying both local and international markets.

Specialised Products

The operations of casting, rolling and busbar fabrication are all fully integrated. We offer clients turnkey solutions from design through manufacturing to onsite completion, with the benefit of our extensive



Electrical Panel Busbar System , Supplier South Africa

Order your Electrical Panel Busbar System from ATI Systems in South Africa. Ask us for an Electrical Panel Busbar System today.



Home

BUSBAR SERVICES is one of Africa's leading manufacturers of Busbar distribution systems. With one of the most comprehensive ranges, we



offer solutions from 25A lighting Busbar through to 6,300A LV



Busbar Manufacturers In Gauteng , MBA Technologies

Busbar Manufacturers In Gauteng The MBA Technologies team has over 20 years' experience in the manufacturing arena. This allows us to specialise in the



Middle East and Africa Busbar market - Size, Share,

Market Overview The Middle East and Africa (MEA) busbar market refers to the industry involved in the manufacturing, distribution, and installation of busbars in



Busbar Installations (Pty) Ltd,

Supply and Installations of busbar systems, watercooled cables and flexibles. Busbars for electrowinning tank houses. Furnace busbars, and plug-in busbar systems.





Electris

Busbar manufacturer. Custom Copper Bus-bars are an Electris speciality Bus bar systems are used for the distribution of electrical power in



Maksal Tubes

Maksal Tubes (Pty) Ltd is South Africa's leading manufacturer of Copper tubing and Copper busbar, extrusions and profiles.

Al Inshrah Busbar Trading

Al Inshrah, is known in the industry as one of the leading stockiest of Copper Busbar in the middle east, which is being manufactured by two leading



Busbars

Our busbars are precision fabricated with our advanced fibre lasers, CNC milling machines and high capacity bending presses according to strict ISO 9001 standards. The busbars can receive a silver or



Mega Flexibles & Busbars - Power Distribution Experts SA

Mega Flexibles and Busbars (Pty) Ltd is a leader in power distribution solutions, providing tailored electrical products for industrial and commercial sectors. Our



Busbars and Wiring Systems , Schneider Electric South

Schneider Electric South Africa. Explore Schneider Electric South Africa busbar systems--Linergy power busbars, hot-plug wiring solutions, and modular

Africa busbar machine market Awakening

The African busbar machine market presents unique growth potential, fueled by a combination of rising electricity consumption, growing industrial





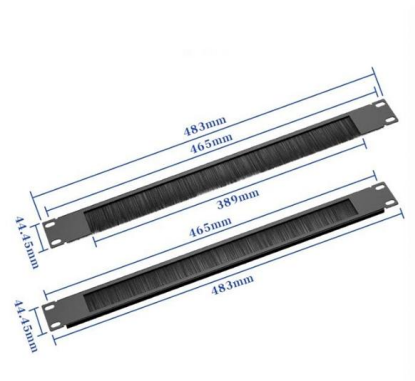
Global Tubular Busbar Market Size, Industry Share & Forecast 2026

Tubular Busbar Market Key Takeaways Regional Market Contribution in 2023: North America, Asia Pacific, Europe, Latin America, and Middle East & Africa contributed the following



A leading supplier of busbar trunking systems

Imexolutions offers flexible, safe and economical solutions for all your trunking needs with prefabricated busbar trunking solutions. Busbars are available from 63A up



Contact us

Supply and Manufacture Quality Copper and Aluminium LV/MV Busbar Products GET IN TOUCH OUR PRODUCTS Resin Encapsulated Busbar System (REBS) Cast Resin Sandwich Type Busbar

Services - DBTS busbar

DBTS Africa(TM) is an established brand, and is one of the world leaders in innovative busduct, busbars, busway, and Busbar Trunking Systems design and manufacture. Our knowledge on busbar design to



Home

Our highly skilled team provide our clients with exactly what is required, and with our in - house manufacturing facility, we are able to produce specialized components for the most challenging designs.



Busbars

Our busbars are precision customised with our advanced fibre lasers, milling machines and high capacity bending novo presses and are



Busbar Installations and Manufacturing

About us The company is a reliable and high integrity manufacturer and installer of Comprehensive range of busbar systems (Lighting, Sandwich, Cast Resin, IPB,





EC Aluminum Tubular Busbar Supplier , Chalco Aluminum

Essential fittings & accessories for tubular aluminum busbar systems In addition to Chalco's high-performance tubular aluminum busbars, we also supply a full range



LTMC® South African CNC Copper Busbar Bending Punching Cutting Machine

LTMC® - Leading CNC Copper & Aluminum Busbar Machine Manufacturer , Premium Busbar Bending, Punching & Cutting

Busbars - Mega Flexibles South Africa

Mega Flexibles and Busbars (Pty) Ltd is a leader in power distribution solutions, providing tailored electrical products for industrial and commercial sectors. Our



Busbars

Cart Technical DocumentsRequest Product Certificate Our Products View More Add to cart BFC4010 In Stock TERMINALS, INSULATORS, BUSBAR SUPPORTS, FLEX & SOLID BUSBAR



Strengthen door locks
More durable and aesthetically pleasing



Grounding screw
More aesthetically pleasing and safer



Removable hinges
Make operation more convenient



Sealing strip
Dustproof and waterproof

Contact Us

For datasheets, pricing, or custom telecom energy solutions, please visit:
<https://www.koskolong.co.za>