



Adam Tas Corridor Energy

Ethiopia AOC Active Optical Cable QSFP-DD





Ethiopia AOC Active Optical Cable QSFP-DD



Active Optical Cable , AOC , Active Optic Cables , Optics

These AOC assemblies are QSFP DD MSA compliant, also backwards port compatible with existing QSFP modules and provide flexibility for

FODDD43P00005 , QSFP DD 200G AOC , Amphenol

Discover the 200G QSFP DD Active Optical Cable (AOC) FODDD43P00005 from Amphenol, engineered for reliable performance in Communications, Data and Industrial & Instrumentation.



What You Need to Know About Active Optical Cables

Active Optical Cable offers high speed, low power use, and reliable connections. Find out how AOC fits data centers, offices, and home setups.



QSFP-DD TRANSCEIVERS for 400G and 800G

Active Optical Cables (AOC): Incorporate real transceivers with fiber optics, providing longer-



distance connectivity while remaining lightweight and flexible. These



200G QSFP-DD Active Optical Cable Datasheet , FS

The QDD200-AOxx is a 8-Channel, Pluggable, Parallel, Fiber-Optic QSFP-DD AOC for 2X100 Gigabit Ethernet, Infiniband FDR/EDR Applications. This transceiver is a high performance module for short



10m (33ft) HW QSFP-DD-400G-AOC-10M Compatible

Thin and lightweight AOC cables simplify cable management, enabling an efficient system airflow, which is critical in high-density racks. It is used extensively in



400G QSFP-DD AOC, Active Optical Cable , Tellusfiber

Type Active Add to cart Terms and Conditions 30-day money-back guarantee Shipping: 2-3 Business Days Contact Us Type: Active Base SKU: QSFP-DD-400G-AOC





Active Optical Cables

NADDOD offers Active Optical Cable (AOC) with data rates up to 400Gps and link distances ranging from 0.5m to 100m, all at a low cost and power consumption.



400G QSFP-DD to 4 x 100G QSFP56 Active Optical Breakout Cable

Type Active Add to cart Terms and Conditions 30-day money-back guarantee Shipping: 2-3 Business Days Contact Us Type: Active Base SKU: QSFP-DD-400G-4xQSFP56-100G-AOC

Active Optical Cables (AOC) 10G-400G SFP+ QSFP-DD

Active Optical Cables from 10G to 400G. SFP+, SFP28, QSFP+, QSFP28 & QSFP-DD AOCs with DDM support. Multimode fiber, up to 100m reach. Fast shipping.



400G QSFP-DD Active Optical Cables - Proficium

Arista A-D400-2Q200 Compatible 400GBase AOC QSFP-DD to 2 x 200G QSFP56 Breakout MMF LSZH Active Optical Cable From \$1,499.00 USD



Various specifications optional



Active Optical Cables (AOC) Explained: Advantages,

An AOC is a pre-assembled, fixed-length cable that integrates: Optical fiber as the transmission medium. Integrated optical engines in the



Ultimate AOC Cable Guide: Active Optical Cables

Discover how AOC cable (active optical cables) works, benefits, types, and tips for using AOC cable solutions in high-speed systems.

Active Optical Cable Market Size & Trends 2025-2035

From 2020 to 2024, the Active Optical Cable (AOC) Market has witnessed sustained growth attributed to the surging need for high-velocity data



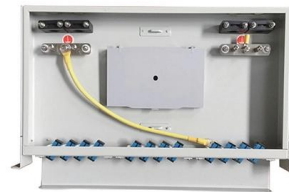


AOC

Transceiver/Optic Configuration 112 G SerDes
QSFP-DD - (800 G to 2x400 G) Cable Types DAC -
Direct Attached Copper Cable AEC - Active
Electrical Cable AOC - Active Optical Cable
Pluggable

AOC Active Optical Cables , Fibertronics, Inc.

For instance, the Amphenol QSFP DD 200G
Active Optical Cable features a high-density
connector with eight channel lanes, doubling port
density compared to

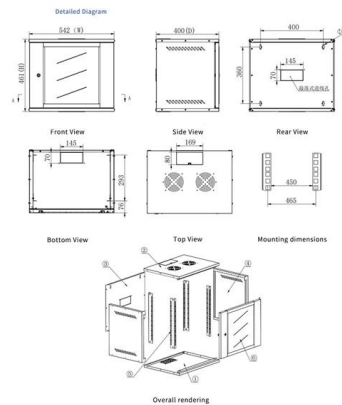


200G QSFP DD Active Optical Cable (AOC)

These AOC assemblies are QSFP DD MSA
compliant, also backwards port compatible with
existing QSFP modules and provide flexibility for

Aoc Cable | JTOPTICS

JTOPTICS® 800G QSFP-DD AOC (active optical
cable) is a 800 Gb/s parallel active optical cable,
which transmits parallel 8x100 Gb/s PAM4
signals over multi-mode



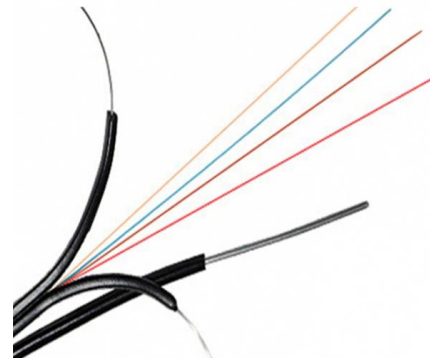
What is QSFP DD connector?

Walsun has finally built a semi-automated optical interconnect product line for the production of multimode 40/100G optical modules and Active Optical Cables (AOCs).



The Definitive Guide to 800G OSFP/QSFP-DD AOC Cables for

The 800G OSFP/QSFP-DD AOC Cable is an integrated optical transceiver assembly designed for ultra-high-speed short-reach communication. Unlike traditional passive copper cables



Active Optical Cables (AOC) , High-Speed Connectors

Active Optical Cables (AOC) Explore Amphenol's high-speed Active Optical Cables designed for data centers, HPC, telecom, and storage systems





400G QSFP-DD TO QSFP-DD AOC ACTIVE OPTICAL CABLE

Buy 400G QSFP-DD TO QSFP-DD AOC ACTIVE OPTICAL CABLE at SHI. See detailed specifications and benefit from expert support. Shop IT hardware and software products with SHI now!



SFP, QSFP, QSFP-DD, OSFP Active Optical Cable Assemblies

Our active optical cable assembly portfolio provides improved cable flexibility and longer reach as compared to both traditional passive copper and emerging active copper (ACC/AEC) solutions,

What is a Active Optical Cable (AOC)?

Then one can run a cable between them. Close QSFP28 AOC Active Optical Cable With AOCs, it is trickier since both ends are fixed to a fiber cable. As a result, devices that are vendor



400G QSFP-DD Active Optical Cable (AOC) , Lumentum

Lumentum's 400G QSFP-DD Active Optical Cable (AOC) provides high-speed, low-latency optical connectivity for short-reach interconnects in hyperscale and enterprise data centers.



Contact Us

For datasheets, pricing, or custom telecom energy solutions, please visit:
<https://www.koskolong.co.za>