



**Adam Tas Corridor Energy**

# **Fiber Optic Cable Junction Box Inspection Post**





## Fiber Optic Cable Junction Box Inspection Post

---



### 101 Guidelines for Fiber Termination Box

Fiber termination box (FTB), also known as optical terminal box (OTB), generally refers to a distribution box specially designed for fiber cable

### Outdoor Rated Fiber Distribution Boxes FDU's - Primus Cable

Outdoor Fiber Distribution Boxes With the changing seasons presenting new challenges for your fiber optic network to overcome, Primus Cable offers Outdoor Fiber Distribution Boxes that are designed



### Fiber-Optic Junction Boxes , New Equipment Digest

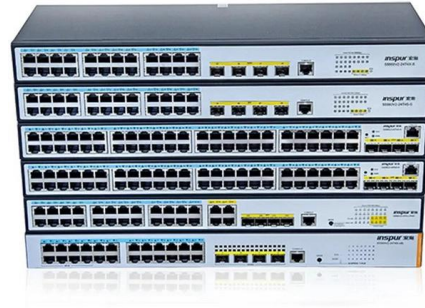
MICRONOR 's MR398-JB series fiber-optic junction boxes are designed to join two fiber-optic cables and environmentally protect the connection. The product

### 4 Core Fiber Optic Termination Box FTB

Product Description ABS Slide In Lock Fiber Optic Termination Box FTB, 4 Core Terminal Box



Description Plastic ABS material socket panel FTB86D is a



### Fiber optic junction box, Fiber optic terminal box

Find your fiber optic junction box easily amongst the 67 products from the leading brands (HUBER+SUHNER, BOPLA, METZ CONNECT, ) on DirectIndustry, the



### Ultimate Guide to Fiber Optic Distribution Box: Types

Fiber optic technology has revolutionized the telecommunications industry, enabling faster and more reliable data transmission. One essential



### FOCIS Flex Fiber Optic Connector Inspection System

With rechargeable battery and integrated display, FOCIS Flex enables untethered inspection of patchcord and panel-mounted connectors - without requiring an





## Junction Box Inspection and Test Plan

This content provides you with a sample junction box inspection and test plan. You need to modify this junction box ITP to meet your specifications.

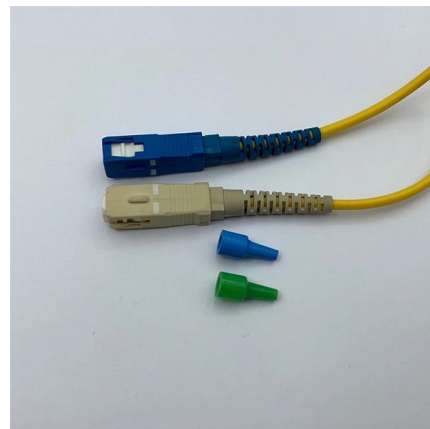


## Fiber Optic Cable Inspection Checklist , PDF , Optical

This document provides a fiber optic cable inspection checklist. It includes sections for general information about the inspection such as date, location, cable type.

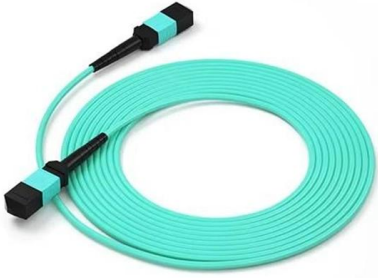
## Fiber Optic Junction Box Installation Guide

When fibre optic cable is used, glands must be suitably certified for use with the type of cable so as to maintain the type of protection (Ex db/Ex tb). one thread adapter when an adaptor is used. A blankin



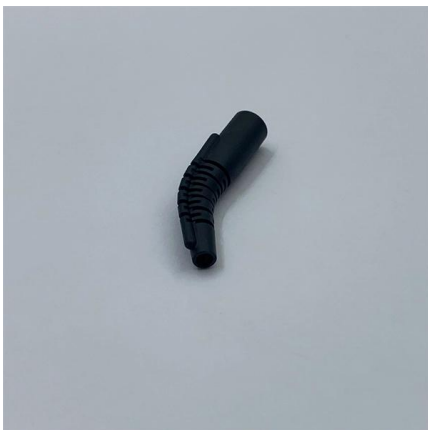
## Horizontal 12 24 Core Fiber Optic Splice Closures

Description Fiber optic splice closures are one of the most important types of equipment for user access points, and junction box fiber optic splice cases are



### Fiber Optics inspection, cleaning and testing

There are three main principles that needs to be taken in consideration for an efficient optical connection: a perfect core alignment, perfect physical contact and dirt-free connectors.



### Inspection and Cleaning Procedures for Fiber-Optic

The procedures in this document describe basic inspection techniques and processes of cleaning for fiber optic cables, bulkheads, and

### 12 Port Fiber Access Terminal Box with 2 Cable Inlet For

The 2 ports fiber optic junction box allows max 12 cores splicing and 1x8 splitting, Widely used in residential, business buildings for cable distribution.



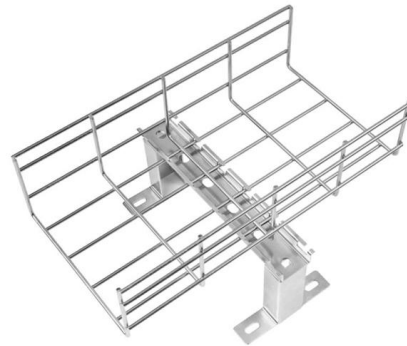


## FIBER OPTIC CONSTRUCTION STANDARDS

Fiber optic cable sequential numbers are required at each pole location and vault wall. Sequential numbers will identify conduit length, and slack left in vaults and at poles.

### Fiber Optic Cable Junction Boxes royalty-free images

Find 77,046 Fiber Optic Cable Junction Boxes stock images in HD and millions of other royalty-free stock photos, 3D objects, illustrations and vectors in the



### InsPEctInG & cleanInG Multi-Fiber OPTIcal cOnnectOrs

The fiber inspection, cleaning and testing procedures documented in this manual are recommendations made by JDSU. Please reference your company's process documents for standard tools and

### What Is an Optical Junction Box and Its Benefits?

Conclusion Understanding the role and benefits of an optical junction box is fundamental for anyone looking to set up or enhance a fiber optic network. Following the steps outlined above will



### **FI-7000 FiberInspector Pro Fiber Optic Inspection Scope**

The FI-7000 FiberInspector Pro is a fiber optic inspection scope that allows you to inspect and certify fiber optic connector end-faces in 1 seconds so you can get the job done the first time.



### **Fiber Terminal Boxes: What They Are and Why You**

A fiber terminal box, is a device used in fiber-optic communication networks to terminate, splice, and distribute optical fibers. It is a small enclosure



### **Ultimate Download Secure Your Fiber Optic Cable**

The Fiber Optic Cable Junction Box is an absolutely crucial component in any modern telecommunications or data network infrastructure. It





## 25-Point Instrumentation Junction Box (JB) Wiring and

Ensure safe and compliant instrumentation JB wiring in process plants. Use this detailed 25-point checklist for inspection, termination, and QA verification.



## MR398-JB Fiber Optic Junction Boxes

MR398-JB Fiber Optic Environmental Junction Boxes MR398-JB series fiber optic junction boxes are designed to join two fiber optic cables and environmentally

## CFX ITS Inspection Reference & Training Manual

1 Electrical Pull Boxes - Electrical pull boxes are used for power runs and typically house conductors. Electrical pull boxes shall meet the requirements of CFX Technical Specification Section 635-2.4,



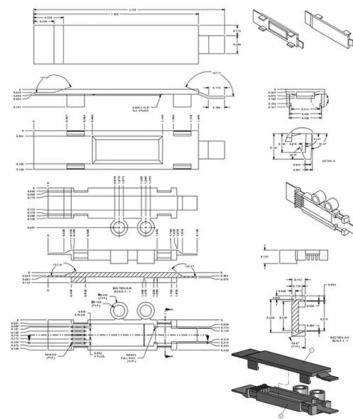
## Fiber Junction Box: Your Guide to Installation, Types,

Discover the world of Fiber Junction Boxes! Explore installation tips, different types, and the advantages they offer. Get expert insights for seamless



## Fiber Termination Boxes: A Beginner's Guide to

Cable Entry and Management: Carefully route the incoming and outgoing fiber optic cables through designated entry points, utilizing cable



## Optical Cable Junction Boxes: Functions and Features

Whether in the home with fiber optic broadband or in the communication signals used in mobile phones, transmission of light signals is

## Fiber Terminal Box VS. Junction Box: What is the

Imagine your fiber optic network as a high-speed information highway. Just like highways require exits, interchanges, and connections to reach homes





## Essential Guide to Optical Cable Junction Boxes: Key Benefits & FAQs

While some junction boxes are versatile enough for both indoor and outdoor use, it's best to choose a box specifically designed for outdoor conditions if used outside to ensure better protection. How do I

## Contact Us

---

For datasheets, pricing, or custom telecom energy solutions, please visit:  
<https://www.koskolong.co.za>