



Adam Tas Corridor Energy

Fiber Optic Cable Pulling Tool





Fiber Optic Cable Pulling Tool

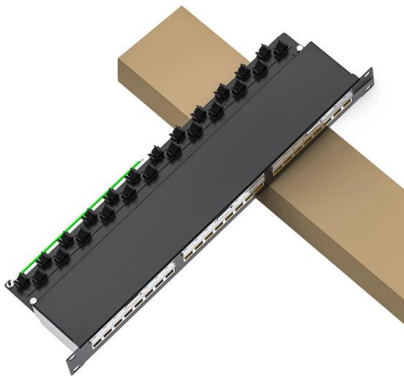


The FOA Reference For Fiber Optics

In addition to the splicer and cleaver, the tech doing the splicing will need a set of cable preparation and fiber stripping tools. Since much fusion splicing is done in

New VCFS-18 SC/LC Fiber Optic Connector Plug and Clamp Pull Tool

Multiple Options Available (4-6mm) 4-25mm Wire
Cable Pulling Socks Grip For Telstra NBN Tools
Heavy Duty £26.27FREE Delivery Multiple
Options Available (Gold) 200 Pieces Crimp
Terminal



Cable Pulling Systems

The quality tools from Katimex® are easy, safe and quick to use. For comfort and precision with every cable pull in domestic-, underground

Cable Installation Tools

Proper Fiber Optic Cable Pulling Tools are essential for any large-scale bulk Ethernet or fiber installation. Having the correct tools is



essential for a safe and efficient installation. The pulling rope



Fiber Optic Cable Puller

The 42700 Series Fiber Cable Puller is designed to handle most fiber optic cables requiring a minimum bend radius. The versatile design offers a simple, easy-to



Fiber Optic Tools and Tool Kits for Your Cabling Needs

High quality fiber strippers, fiber cleavers, cable slitters, mid-access tools, cable pulling tools and more from 3M, Corning, Ripley Tools, Greenlee, Paladin Tools and more.



Structured Cabling Solutions

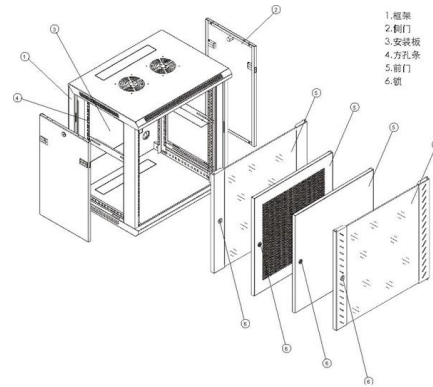
ICC is a structured cabling solutions manufacturer of copper & fiber optic connectivity products for commercial & residential applications.





Fiber Tools, Consumables & Accessories

CommScope features a family of tools and components for the installation, repair and maintenance of fiber cables, including prep and termination kits.

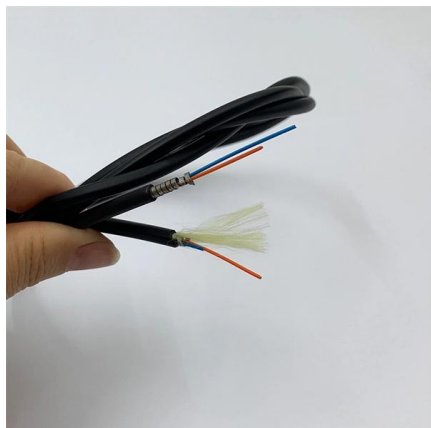


The Zinger Tool

The Zinger is designed to be used with a cordless or electric drill to assist in pushing or pulling fiber optic cable, a fiberglass rodder, or other

Fiber Optic Cable Pullers

The Fiber Cable puller is a simple, easy to use cable puller that is designed to accommodate industry standard sheaves of 9", 24", 30", or 40" diameter specifically intended for use with fiber optic cables



FIBER PULLING , General Machine Products Company

The Hydraulically Limited Cable Puller is designed to offer exceptional value while providing critical speed control and overload protection. It is simple to set up and



Cable Installation Tools - tagged "cable-pulling-rope" - Fiber Savvy

Proper Fiber Optic Cable Pulling Tools are essential for any large-scale bulk Ethernet or fiber installation. Having the correct tools is essential for a safe and efficient installation.



Fiber Optic Cable Puller

The Fiber Optic Cable Puller from Condux sets new standards for safe, accurate pulling of fiber optic cables. Only the Condux puller can offer

Light Reading

Light Reading is the leading source of news analysis for communications industry professionals.



The FOA Reference For Fiber Optics

Fiber Optic Network Design Jump To: The Communications System Cabling Design Choosing Transmission Equipment Planning The Route Choosing Components



The FOA Reference For Fiber Optics

Fiber optic joints or terminations are made two ways: 1) splices which create a permanent joint between the two fibers or 2) connectors that mate two fibers to



Cable Pulling Tapes, Lubricant, Pulling Eyes & Safety

Gloves, fish poles, fish tapes, lubricant, cable pulling eyes and netting, fiber vacuum blowers, all necessary tools for your fiber/copper cable pulling jobs.

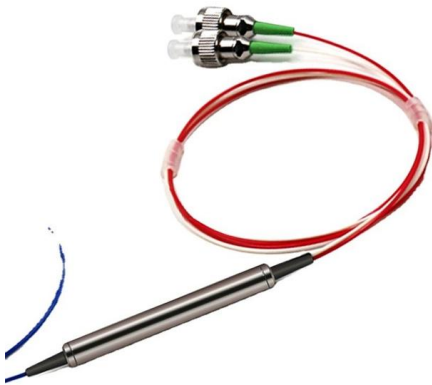
Pulling Eye Kit for Simplex & Duplex Fiber Optic Cable

A fiber optic cable puller is a specialized tool used during the installation or pulling of fiber optic cables. The fiber puller is designed to facilitate the process of running



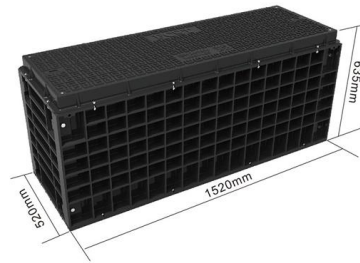
Amazon

About this item . Non-staining, non-toxic clear gel formula is water-based for easy soap and water cleanup ; Dries to a clear, non-conductive semi-fluid film for easy handling, st



Pulling Fiber Optic Cable

The below article explores the best practices and tools commonly used to pull fiber optic cable. The Future Ready Solutions Tools & Test



Cable Pulling

Prevent damage when pulling fiber optic cable. The glass within the cable is extremely fragile. Although the cable protects the fiber, it is fairly easy to break the fiber when pulling. Using these tools and

The FOA Reference For Fiber Optics

The proper method of pulling fiber optic cables is always to attach the pull rope, wire or tape to the strength members. Some cables also include a central fiberglass





Startech Mpo/Mtp Fiber Optic Cable

Plus, the push-and-pull tabs optimize accessibility by letting you install or remove the connectors with one hand without needing additional tools. The MTP to MTP cable is housed in a plenum-rated

Startech Mpo/Mtp Fiber Optic Cable

Plus, the push-and-pull tabs optimize accessibility and let you install or remove the connectors with one hand, without having to use additional tools. The MTP to MTP cable is housed in a plenum-rated



Cable Installation Tools

These Cable Pulling Tools are flexible enough for working inside insulated walls, yet stiff enough for drop ceilings. Ideal for a wide range of challenges, the Fiberfish comes packaged in a handy vinyl pouch

Contact Us

For datasheets, pricing, or custom telecom energy solutions, please visit:
<https://www.koskolong.co.za>