



Adam Tas Corridor Energy

Fiber Optic Communication Systems Second Edition





Overview

Introduction to Fiber-Optic Communications, Second Edition provides students with a comprehensive understanding of modern optical fiber communication and its applications. The book strikes a balanced approach between theory and practice, avoiding excessive mathematics and. In the last five years alone, the bit rate of commercial point-to-point links has grown from 2.5 Gb/s to 40 Gb/s-and that figure is expected to more than double over the next two years! Such astonishing progress can be both. Read more For regional delivery times, please check 'When will I receive my book?

' in our Support Hub. "Although intended primarily as a textbook for graduate students of fiber-optic communications, this book is also a valuable resource for undergraduate courses at the senior level and a valuable professional reference for researchers and engineers working in the fields of telecommunications and.



Fiber Optic Communication Systems Second Edition

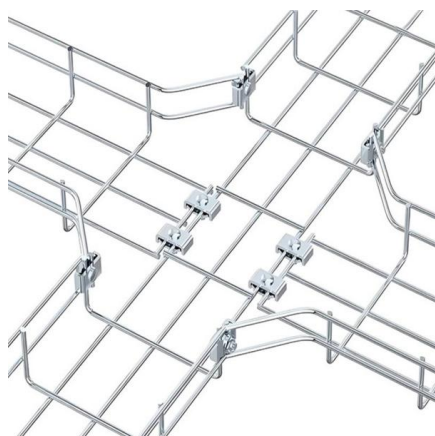
FIBER-OPTIC COMMUNICATION SYSTEMS

Preface Since the publication of the first edition of this book in 1992, the state of the art of fiber-optic communication systems has advanced dramatically despite the relatively short period of only 18



Fiber-Optic Communications Systems, Third Edition. Govind P.

Since the publication of the first edition of this book in 1992, the state of the art of fiber-optic communication systems has advanced dramatically despite the relatively short period of only 10



Fiber-Optic Communication Systems, 5th Edition , Wiley

Discover the latest developments in fiber-optic communications with the newest edition of this leading textbook In the newly revised fifth edition of Fiber-Optic Communication Systems, accomplished

Fiber-Optic Communication Systems

Based on its author's exhaustive review of the past five years of published research in the field,

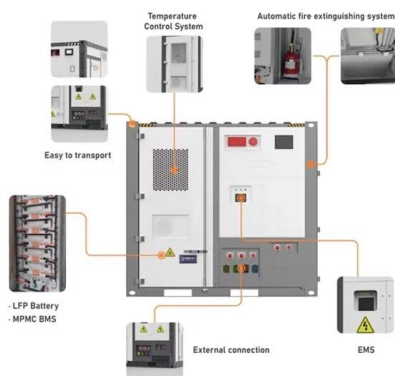


this Second Edition, like its popular predecessor, provides an in-depth look at the state of



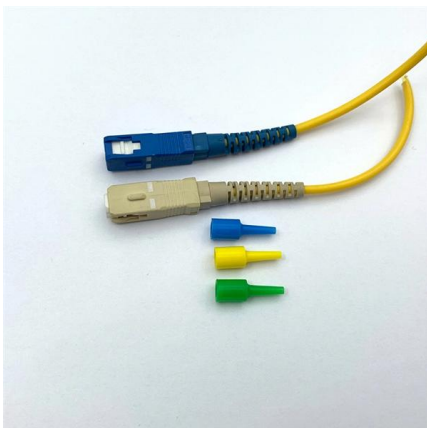
Fiber-Optic Communication Systems, 4th Edition , Wiley

This book provides a comprehensive account of fiber-optic communication systems. The 3rd edition of this book is used worldwide as a textbook in many universities. This 4th edition incorporates recent



Fiber-Optic Communication Systems , Wiley Online Books

GOVIND P. AGRAWAL is a professor at the Institute of Optics at the University of Rochester and a Fellow of both the Optical Society of America and the Institute of Electrical and



Fiber-optic communication systems

Fiber-optic communication systems by G. P. Agrawal, 1997, Wiley



Fiber-Optic Communication Systems: Agrawal, Govind P

Based on its author's exhaustive review of the past five years of published research in the field, this Second Edition, like its popular predecessor, provides an in-depth look at the state of the art in fiber



Fiber-Optic Communication Systems , Wiley eBooks , IEEE Xplore

It is also a valuable resource for undergraduate courses at the senior level, as well as an indispensable professional reference for engineers and technicians in the telecommunications industry and

Fiber-Optic Communication Systems (Wiley Series in Microwave and

Based on its author's exhaustive review of the past five years of published research in the field, this Second Edition, like its popular predecessor, provides an in-depth look at the state of



Fiber-optic communication systems

Fiber-optic communication systems by G. P. Agrawal, 1997, Wiley edition, in English - 2nd ed.



Introduction to Fiber-Optic Communications

Introduction to Fiber-Optic Communications, Second Edition provides students with a comprehensive understanding of modern optical fiber communication and its applications.



Fiber-Optic Communication Systems

* This comprehensive, up-to-date account of fiber-optic communication focuses on the physics and technology behind fiber-optic communication systems while covering both the systems and

Fiber-Optic Communication Systems

This book provides a comprehensive account of fiber-optic communication systems. The 3rd edition of this book is used worldwide as a textbook in many universities. This 4th edition



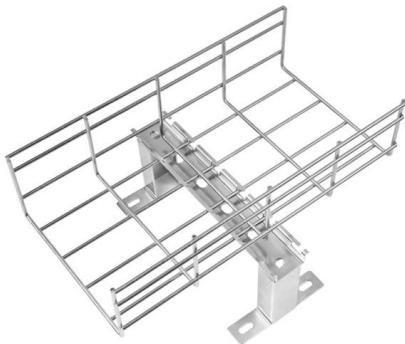


Fiber Optics Handbook

Fiber optics communication systems issues are treated in articles concerning telecommunication links, solitons, fiber couplers, MUX and deMUX, micro-optics for networking, semiconductor amplifiers and

Introduction to Fiber-Optic Communications

Introduction to Fiber-Optic Communications, Second Edition provides students with a comprehensive understanding of modern optical fiber



Fiber-optic communication systems

Fiber-optic communication systems by G. P. Agrawal, 1992, Wiley edition, in English

Introduction to Fiber-Optic Communications: Amazon .uk: Hui Ph.D

Introduction to Fiber-Optic Communications, Second Edition provides students with a comprehensive understanding of modern optical fiber communication and its applications. The book strikes a





Fiber-Optic Communication Systems

The Institute of Optics, University of Rochester *
".readers searching for a wide ranging and up-
date view of fibre optic communication systems
would do well to purchase this book."

Wiley Online Library , Scientific research articles, journals, books

Hier sollte eine Beschreibung angezeigt werden,
diese Seite lässt dies jedoch nicht zu.

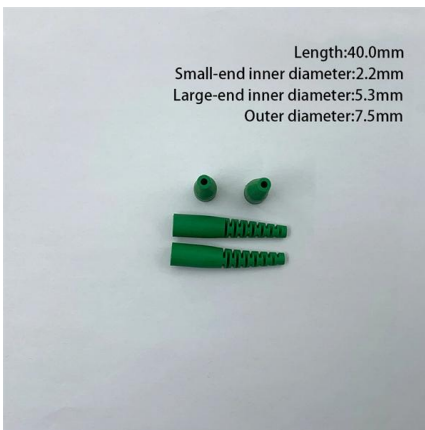


Fiber-Optic Communication Systems , Wiley Online Books

You'll learn about topics like fiber's losses,
dispersion, and nonlinearities, as well as
coherent lightwave systems. The latter subject
has undergone major changes due to the
extensive

Fiber-Optic Communication Systems, Solutions Manual

Now Fiber-Optic Communication Systems,
Second Edition makes that job a little easier.
Based on its author's exhaustive review of the
past five years of published research in the field,
this Second



Fiber-Optic Communication Systems , Wiley eBooks , IEEE Xplore

The definitive guide to fiber-optic communications systems, now fully up-to-date since the release of the previous edition of this proven bestseller, fiber-optic communication systems (FOCS) have

Fiber-Optic Communication Systems

Discover the latest developments in fiber-optic communications with the newest edition of this leading textbook In the newly revised fifth edition of Fiber-Optic Communication Systems, accomplished



Undersea Fiber Communication Systems

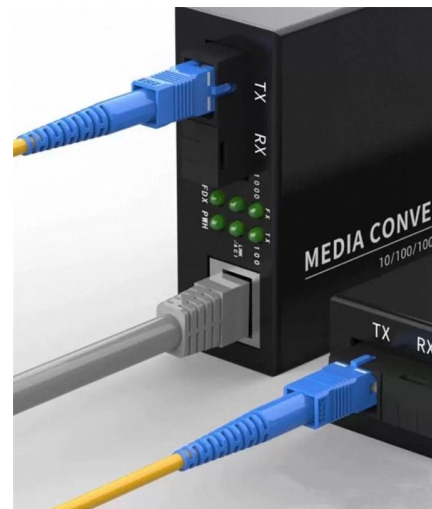
Description Undersea Fiber Communication Systems, Third edition is an authoritative guide exploring the comprehensive aspects of optical





Fiber-optic Communication Systems

The Institute of Optics, University of Rochester *
".readers searching for a wide ranging and up-
date view of fibre optic communication systems
would do well to purchase this
book."--International Journal of



Contact Us

For datasheets, pricing, or custom telecom energy solutions, please visit:
<https://www.koskolong.co.za>