



Adam Tas Corridor Energy

Fiber Optic Patch Cord Quantity Calculation





Fiber Optic Patch Cord Quantity Calculation

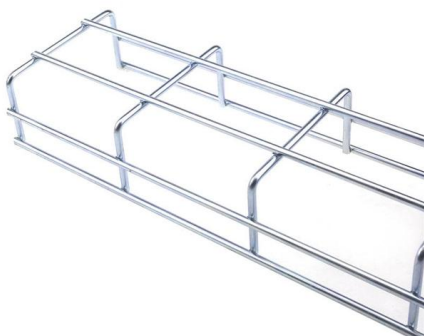
FO Patch Panel Calculator



Premium-Line 19" Rack mountable fiber optic patch panel is designed for both patching and splicing, accepts whole range of adapters including SC, ST, FC, LC adapters. 2 * Rear cable entries

Key Quality Indicators and Technical Parameters of

A Technical Overview by TARLUZ Fiber Optics
Fiber optic patch cords are essential components in modern optical communication networks,



Search

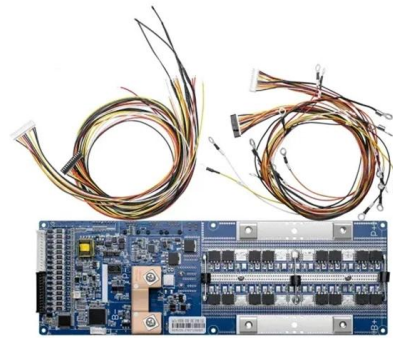
Search Up to 36% lower carbon footprint than standard plastic cable ties Globally, only 9% of plastic waste is recycled, and by 2050, up to 12 billion tons could pollute our landfills, waterways, and

Fiber Patch Cable Guide

GT-SCSCDS2Y-xM fiber optic patch cords are ideal for short distance patching applications. These fiber optic cables have been built to



exceed industry standards tested for insertion loss and reflectance on



Fiber Count Calculator

This calculator assumes no tolerance, so the actual count in a given bundle may be off a few fibers. In addition, it is very difficult to pack a ferrule with the calculated number of fibers. Typically, an optimal



How to Calculate the Quantity of Fiber Optic Patch Cords?

This article provides a systematic guide on calculating the number of fiber optic patch cords, assisting network engineers and project planners in



Cables, Coaxial Cable, Cable Connectors, Adapters, Attenuators

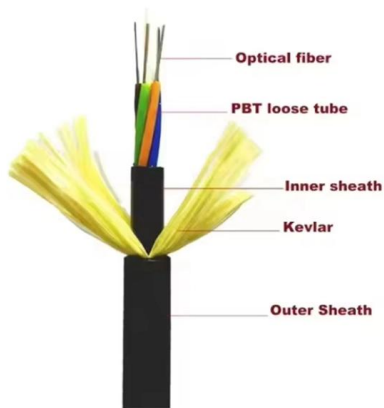
Pasternack carries a huge selection of microwave parts, RF parts, cables, connectors, modulators, adapters, attenuators plus much more. Bulk quantities shipped same day.





what are the international standards for fiber optic patch cord

In summary, these international standards play a crucial role in defining the specifications and best practices for fiber optic patch cords, ensuring they meet the necessary performance criteria while

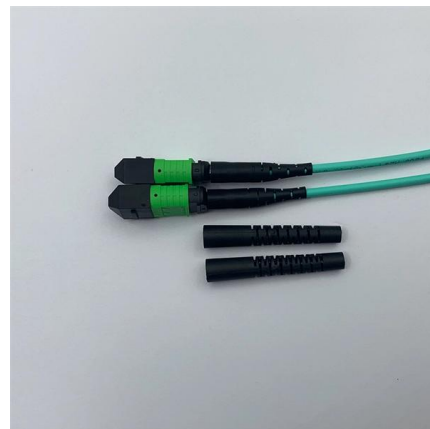


How to Choose the Right FTTH Patch Cord for Your

How to Choose the Right FTTH Patch Cord for Your Network Choosing the right fiber optic patch cord is critical to minimizing insertion loss,

FIBER PATCH CABLES DATASHEET

For standard patch cords, sampling check is performed on ferrule geometry to ensure high percentage of polished connectors meeting GR-326 requirements. For premium grade, ferrule geometry is tested



Fiber Patch Cable Guide

GT-MPO4LCDM4A2-xM fiber optic patch cord is ideal for short distance patching applications. These fiber optic cables tested for insertion loss and reflectance on all connectors.



Network Cabinet & Rack

TECHNICAL DATA SHEET FOR OPTICAL FIBER PATCH CORD

Description fiber optic patch cord is a fiber optic cable capped at either end with connectors that allow it to be rapidly and conveniently connected to CATV, an optical switch or other telecommunication



Fiber Optic Cable Patch Cord Order Guide

When choosing fiber optic cable patch cord, consider the actual length needed, material reliability, transmission speed, and loss.

What is a Fiber Optic Patch Cord? - Types, Explained

A fiber optic patch cord is a cable that is terminated at both ends by connectors to connect to the respective communication optical port.



Management of patch cables in integrated wiring

Managing fiber optic patch cables requires strict adherence to technical standards due to the unique material properties of the cables. This



Fiber Optic Calculators , FSI Technical Tools

Utilize FSI's specialized fiber optic calculators for precise planning and design. Optimize your projects with our accurate, easy-to-use technical tools.



Solved: SFP Power Budget Calculation

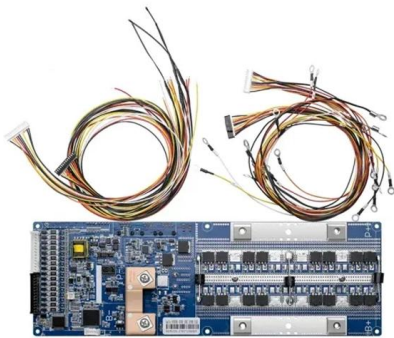
If we use a patch cord from the FO patch panel to SFP port at the switch, connector loss will be on the connector at a patch panel only or both sides? Here some is a formula do the calculation:





ZIFONIC, Fiber Optic Patch Cord Procurement Guide

ZIFONIC's guide to choosing fiber optic patch cords for data centers, telecom, and FTTH. Ensure high performance and reliability.



How to Plan Fiber Optic Patch Cord Lengths Correctly

Learn how to calculate fiber patch cord lengths with accuracy. Ensure optimal performance, slack management, and future scalability.

US5057675A

Commercially available optical fiber patch cord is commonly provided by manufacturers and distributors in fixed lengths. For example, ADC Telecommunications, Inc., Minneapolis, MN (assignee of the



Fiber-optic patch cord calculator

So, we have created a special tool - a calculator that allows customers to design patch cords tailored to their needs, calculate their prices, and send the orders.



How to Choose the Right Fiber Optic Patch Cord

By following these steps, you can ensure that you select the right fiber optic patch cord tailored to your specific needs.



A Comprehensive Guide to Fiber Optic Patch Cables

Fiber optic patch cables are found almost everywhere; cable television networks (CATV), data centers, computer networks, and telephone networks. Fiber optic



How to Choose the Suitable Number of Fiber Cores for

Among their many features, the number of fiber cores directly affects data capacity and network performance. Understanding this key aspect is crucial





Best Practices for Fiber Optic Patch Cable Lengths

Explore the optimal cable length for data transmission, cable length limitations, and patch cable length selection. Follow industry standards and



How to Choose Fiber Optic Patch Cord?

Discover the essential guide on choosing the perfect fiber optic patch cord for your needs. Learn about crucial factors such as connector types, fiber



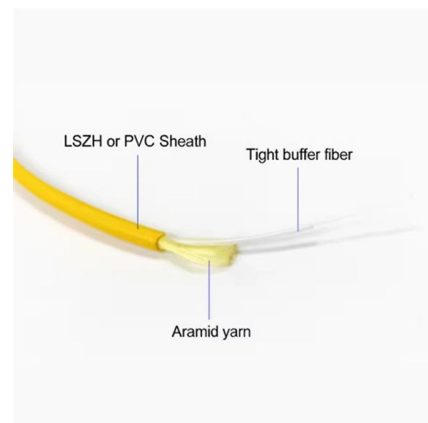
The Comprehensive Guide to Fiber Optic Patch Cables

Discover how fiber optic patch cables are integral to the seamless operation of modern networks, offering significant advantages.



Fill Ratio Calculator , Fiber Conduit Fill Calculator , Corning

This calculator will allow you to find the fill ratio using one, two, or three cables within the conduit. If you only have one cable for your conduit, please use only the first cable diameter field.





Contact Us

For datasheets, pricing, or custom telecom energy solutions, please visit:
<https://www.koskolong.co.za>