



Fiber Optic Tail Quota

Pre-Terminated Patch Panel



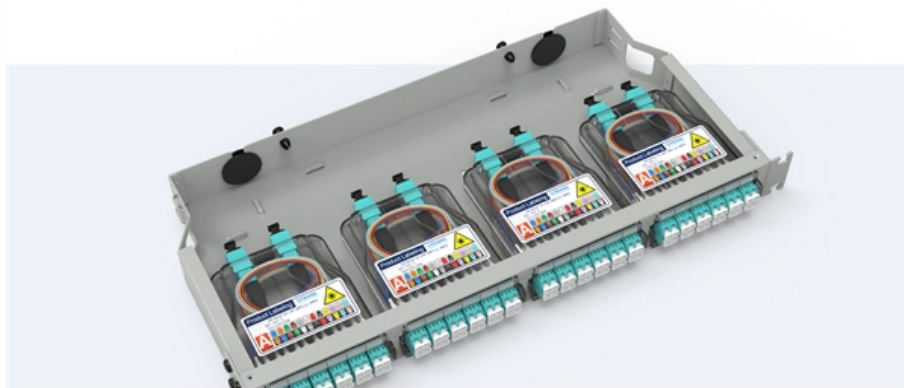
Multi-application support



Flexible configuration



Modular design



Cable Gland Plug
28mm Cable Gland Plug



MPO-LC up to 96 cores
MPO direct connection 48 ports



Mounting Bracket
Semi-open mounting holes





Fiber Optic Tail Quota

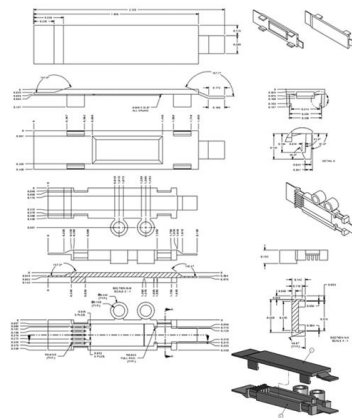


Tail Fiber: Types, Functions, and Common Interfaces

Similar to fiber optic jumpers, tail fibers are classified into single-mode and multimode types, differing in color, wavelength, and transmission distances. Generally, multimode tail fibers are

What Is the Quota of the Fiber Optic Splice Closure

With the continuous development of the optical communication industry, the Fiber Optic Splice Closure equipment has been used by more users, so what is the quota for the fiber optic



What is Fiber Optic Pigtails

Fiber optic pigtails are indispensable in creating efficient, reliable, and high-performance fiber optic networks. By understanding the various types and

Fiber tail fiber characteristics

Pigtail, also known as pigtail, has only one end with a connector, and the other end is a broken end of a fiber optic cable core. It is connected to



Fiber cable termination

Fiber Optic cable termination is the addition of connectors to each optical fiber in a cable. The fibers need to have connectors fitted before they can attach to other equipment.

Service Cables (Node Tails)

Service Cable (Node Tails) provide connectivity to an Optical Network Unit (ONU). These optical amplifier drop cable assemblies feature a rugged design and



What is a Fiber Optic Pigtail?

A fiber optic pigtail, also known as a fiber optic cable tail, is a type of fiber optic cable assembly that provides connection between fiber optic



Guide to Fiber Optic Pigtails

Delve into this exciting video to discover more about fiber optic pigtails and their production at Megladon. Additionally, Megladon's online Custom Configuration Tool allows you to select your fiber and

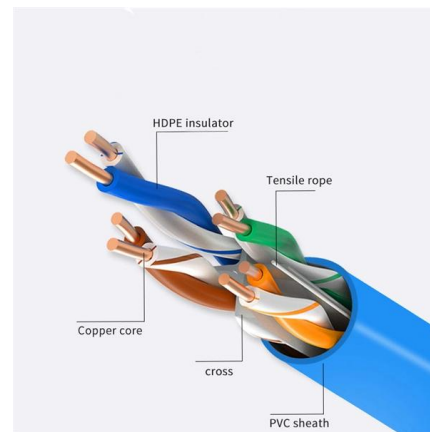


How to choose fiber optic pigtails?

High quality fiber pigtails combined with correct fusion splicing practices offer the

Using Micro-ducts in FTTX Networks , by David Rottmayer , Medium

Using Micro-ducts in FTTX Networks Key in the deployment of any fiber-to-the-X (FTTx) passive optical network (PON) infrastructure is to maximize the number of units attached to a single



What Is a Fiber Optic Pigtail? Full Guide to Pigtail Fiber

Comprehensive guide to fiber optic pigtails: Explore types, pigtail connectors, fiber counts, and applications for FTTH, data centers, industrial



What is a Fiber Optic Pigtail, and What Is It Used For?

Discover the essentials of fiber optic pigtails, including types, uses, and installation procedures to ensure smooth network operations in data and



Comprehensive Guide to Fiber Optic Pigtails , Gezhi Photonics

A common question in fiber optics is the difference between a fiber optic pigtail and a fiber patch cord. The key difference lies in the way they are terminated: a fiber optic pigtail has a

What Is Fiber Optic Pigtail and How to Splice It?

It can be attached to optical fibers by fusion or mechanical splicing. Given the access to a fusion splicer, you can splice the pigtail right onto the cable





What is Fiber Optic Pigtail and How to Choose it?

One essential component in fiber optic installations is the fiber optic pigtail. In this guide, we'll delve into what fiber optic pigtails are, their importance, and how to choose the right one for

Fiber Optic Tail Technology Advancements By GIGAC

Explore GIGAC's advanced fiber optic tail technology for reliable high-speed data transmission. Learn about single-mode and multimode tails, connector types, and applications in



The relationship between optical cables, terminal boxes, and tail fiber

In fiber optic communication systems, optical cables are used to transmit light signals over long distances. Terminal boxes are used to connect and protect the fiber optic cables at various

What is a Fiber Optic Pigtail, and What Is It Used For?

A fiber optic pigtail is a type of fiber optic cable with only one end that has a factory-terminated connector and the other end exposed as bare fiber. A





MEGANet Cs PIGTAIL SM LC/APC 1m (x12 Colours)



These tails conform to IEC, EIA TIA and Telecordia standards. For optimal performance, these leads are all terminated with premium quality connectors.

Fiber Optic Tail Technology Advancements By GIGAC

As bandwidth demands escalate with emerging technologies like 5G and IoT, the role of high-performance fiber optic tails will only become more crucial. In conclusion, fiber optic tails



What is last-mile connectivity, and why is it vital for your

Learn more about DIA vs broadband For higher capacities, Ethernet can deliver dedicated connections up to 100Gbps, while optical connectivity

How to choose fiber optic pigtails?

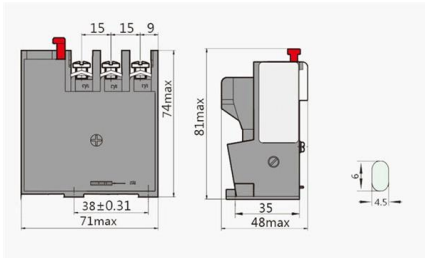
Applications Fiber optic pigtails are used to terminated fiber optic cables via fusion splicing or mechanical splicing as shown in the picture below. The end of the





What is Fiber Pigtail? A Complete Guide for Beginners

A fiber pigtail is a thin multimode or single-mode fiber optic cable with a connector installed on one end. The purpose of the fiber pigtail is to terminate



What is Fiber Pigtail? A Complete Guide for Beginners

A fiber pigtail is a fiber optic cable with pre-terminated fiber connector and exposed fiber. This guide introduces fiber pigtail basics, types.



Decoding Fiber Optic Connectivity: Jumper Cables vs. Tail Lines in

Two terms frequently popping up in fiber optic discussions - "jumper cables" and "tail lines" - often confuse even experienced technicians. This article dives into the practical applications, structural

Contact Us

For datasheets, pricing, or custom telecom energy solutions, please visit:
<https://www.koskolong.co.za>