



**Adam Tas Corridor Energy**

# **Fiber optic patch cord 400**





## Overview

---

This 3 meter fiber patch cable features a 400 $\mu$ m core multimode fiber, and is clad with a PCV-coated stainless steel tube for optimum protection. Both ends are terminated with an HP-SMA connector with copper alloy ferrule and free-standing fiber tip. Use them as illumination or read fibers to connect spectrometers, light sources, probes, or sampling accessories with maximum. With a length of 2 m, it can handle power levels above 50 W without requiring heat sinking due to the air-gap SMA connector.



## Fiber optic patch cord 400

---



### 400µm High Power Optical Fiber Patch Cord, 3m Length

This 3 meter fiber patch cable features a 400µm core multimode fiber, and is clad with a PCV-coated stainless steel tube for optimum protection. Both ends are

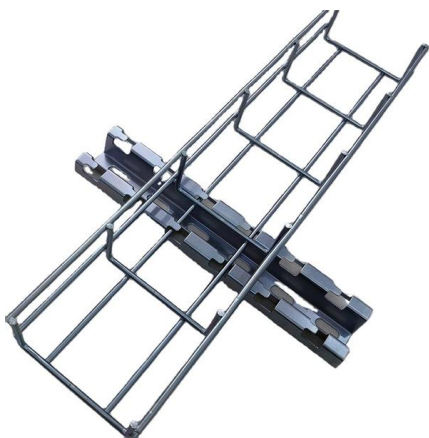
### Fiber Optic Cables

Fiber Optic Cables, Adaptors, & Accessories Our extensive offering of fiber optic cables, connectors, cassettes, enclosures, patch cords, cable assemblies, cable



### Fiber optic patch cable, OS2, LC

The fiber optic patch cables from kabelmeister® are used wherever fast and reliable data transmission is required. With their small cable diameter of just 2.4 mm, the cables also offer a very high packing



### VIS-NIR Fiber Patch Cord, 400 µm Core, Stainless steel BX

Ocean Optics offers a complete line of premium optical fiber patch cords compatible with Ocean



Optics spectrometers to suit a range of VIS-NIR and UV-NIR spectroscopy needs.



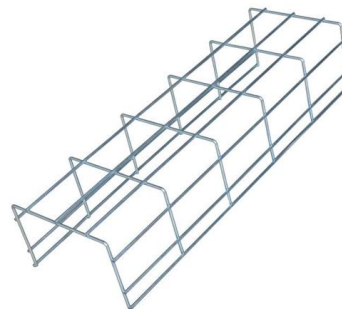
### Fiber optic patch cable, OM4, ST

The fiber optic patch cables from kabelmeister® are used wherever fast and reliable data transmission is required. With their small cable diameter of just 2.4 mm, the cables also offer a very high packing



### Fiber optic patch cable Uniboot, OS2, LC

Fiber optic patch cable Uniboot, OS2, LC - LC The fiber optic (FO) uniboot patch cables from kabelmeister® are used wherever fast and reliable data transmission is required.



### Fiber Patch Cord Single Mode and Multimode 1m, 3m,

Fiber optic cable single mode and multimode duplex Lc-lc, sc-sc, sc-lc, st-st, sc-fc, fc-fc, fc-st, sc-st, fc-lc 1m 3m 5m 10m 15m 20m 25m 30m 40m 50m 70m 100 meters



## **Tripp Lite N846D-03M-24DAQ MMF, Fiber Optic, Cable, 24F,**

400 GbE Cable Supports Higher Bandwidths Needed for Next-Gen Data and Voice Networking  
As the amount of traffic in data networks grows, so does the need for next-generation devices and fiber

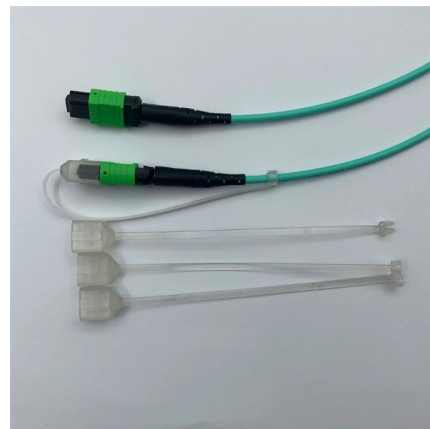


## **ST 400/430 μm Cable Assemblies**

Industrial Fiber Optics manufactures multiple product lines of premium quality fiber optic patch cords suitable for industrial networking and other applications. The products below are made with Lightera

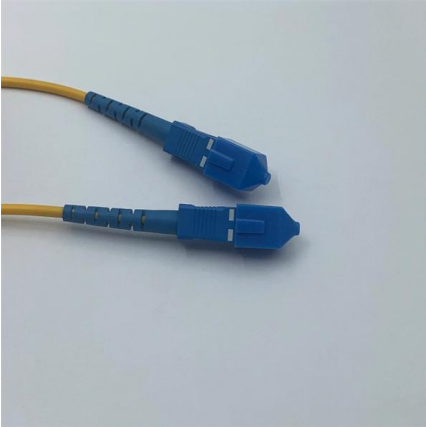
## **Ethernet Cables Wi-Fi Antennas Amplifiers Adapters**

COAXIAL PASSIVE COMPONENTS D-SUBMINIATURE ETHERNET AND TELEPHONY  
FIBER OPTIC INDUSTRIAL BULK CABLE MILITARY



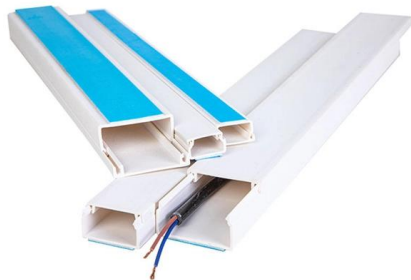
## **1300ft / 400m Armored OD-5mm OS2 LC to ST Single Mode Fiber Cable**

2-strand Pre-terminated OS2 Fibre Cable with LC/ST Connectors: ideal for connecting 1G/10G/25G/40G/100G/400G Ethernet connections Singlemode is most commonly used for high



### Tripp Lite 3m 400G Duplex LC/UPC OS2 Switchable Fiber Optic Cable

The N370X-03M is a premium multimode fiber optic cable that supports 400 Gb Ethernet speeds for transmitting data and voice signals over short distances. It is designed to support higher bandwidths



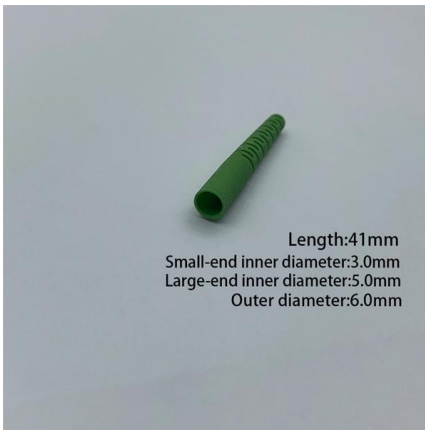
### EATON TRIPP LITE SERIES 40/100/400G MULTIMODE 50/125 OM3 FIBER OPTIC

01fx28 sb3490 el1118 26121607 037332272935  
14678866 2y7211 6475781 0037332272935  
6854642 tc-n844x03m8 522 n844x-03m-8l-p  
1071618216 g116428931 g712095667 ~~  
connector cables eaton

### Fiber Optic Interconnects, Patch Cords & Pigtaills

Fiber Optic Interconnects, Patch Cords & Pigtaills  
Something went wrong. If the problem persists  
contact the administrator.





### Optogenetics Patch Cables, Ø400 µm Core, 0.39 NA Fiber

These optogenetics patch cables are designed with a ferrule on one end to connect an LED or laser light source to a fiber optic cannulae during an optogenetic experiment (see Figure 1.3 for an example)

### Fiber Optic Patch Cables, Fiber Patch Cords

Get low-loss fiber patch cables & cords with various connector options that support fiber optic cabling up to 400G. 100% tested. Customized cables available.



### OM4 Multimode Cables

OM4 Multimode Cables are high-performance optical fiber cables with a 50µm core, supporting up to 400 meters at 10 Gbps and 150 meters at 100 Gbps, OM4

### Ultimate Guide to Fiber-Optic Patch Cables: Types, Selection, and

Learn about fiber optic patch cables, their types, construction, applications, and how to choose the right one for your network needs.



### **HP Fiber Optic Patchcord 400/440, 0.22 NA**

This high-power fiber optic cable features a 400 mm / 0.22 NA fiber, SMA connectors, and a visible anti-reflection (AR) coating. With a length of 2 m, it can handle power levels above 50 W without requiring



### **Fiber optic patch cable, OM4, SC**

The fiber optic patch cables from kabelmeister® are used wherever fast and reliable data transmission is required. With their small cable diameter of just 2.4 mm, the cables also offer a very high packing



### **Optical Fiber Patch Cables**

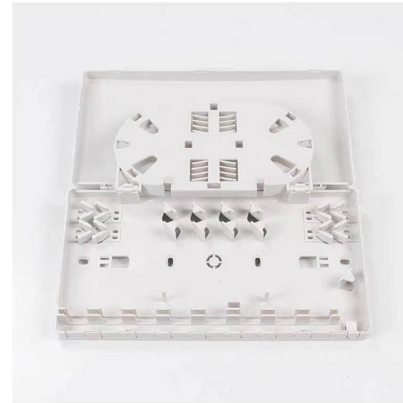
Optical Fiber Patch Cables Applicable wavelength: 400nm-1100nm Numerical aperture: 0.22, 0.39, 0.50 Core diameter: 100mm, 200mm, 300mm, 400mm Default





### **MM patch cable, 400-2000 nm, 200/240 um, FC/SPC, 2 m**

Optical Posts and Bases Posts and Holders  
Aluminum 12.7-mm Post Holders Stainless Steel  
12.7-mm Post Holders With Pedestal Base Other  
12.7-mm Post and Post Holders Removable-Base  
Post



### **Fiber Patchcord , Single Mode & Multimode Fiber Patch**

Fiber Patch Cords are used to connect optical network equipment, patch panels, and fiber distribution systems across data center, telecom, and enterprise

### **High-Performance Fiber Patch Cables , 400G Fiber**

Get OM3/OM4/OM5 multimode and OS2 singlemode fiber optic patch cables with ultra-low insertion loss. Available in LC/SC/FC/MPO connectors to support



### **Fiber Optic Cables and Extensions**

Fiber patch cables transfer data quickly at speeds of up to 100 Mbps depending on the type of optic cable. They are a suitable alternative to network ethernet cables



### Fiber optic patch cable, OM4, LC

The fiber optic patch cables from kabelmeister® are used wherever fast and reliable data transmission is required. With their small cable diameter of just 2.4 mm, the cables also offer a very high packing



### Mono Fiber-optic Patch Cords - Doric Lenses

The simplest form of the fiber-optic patch cord is a single strand of optical fiber surrounded by a buffer and protective jacket with connectors at both ends. The

### Tripp Lite 2m 400G Duplex LC/UPC OS2 Switchable Fiber Optic Cable

The N370X-02M is a premium multimode fiber optic cable that supports 400 Gb Ethernet speeds for transmitting data and voice signals over short distances. It is designed to support higher bandwidths





## Contact Us

---

For datasheets, pricing, or custom telecom energy solutions, please visit:  
<https://www.koskolong.co.za>