



Adam Tas Corridor Energy

Fiber optic patch cord interface type ft

8-Port PLC Fiber Splitter Box

12-Port SC Fiber Splitter Box

Size: 235*215*75mm

Material: ABS, IP65,





Fiber optic patch cord interface type ft



Cables, Adapters, Fiber, Network Add-ons & Tools , Computer Cable

Cables, Adapters, Fiber, Network Add-ons & Tools
This 20m Multimode Duplex OM4 Fiber Optic Patch Cable (50/125) - LC to LC has ceramic ferrules and a 50/125 micron core, this cable is suitable for

Cables

Buy cables, fiber optic cables, Cat6 cables, Cat5 Cables, ethernet cables, power cords, patch cables, HDMI and custom cables. Shop for cables.



Fiber Optic Patch Cables: The Complete 2026 Buyer's Guide

Confused by LC, SC, MPO, UPC, and APC? This complete fiber optic patch cable guide covers connector types, single-mode vs multimode, insertion loss specs, and how to choose the right

Patch Cord LC Singlemode Fiber Optic Cable Assemblies

Patch Cord LC Singlemode Fiber Optic Cable



Assemblies are available at Mouser Electronics. Mouser offers inventory, pricing, & datasheets for Patch Cord LC Singlemode Fiber Optic Cable Assemblies.



How to make Fiber Optic Patch Cord and Pigtail Production

General View about How to make Fiber Optic Patch Cord and Pigtail. There are often 10 necessary steps to make sure a fiber optic patch cord is qualified globally in the market.

10 Gigabit Ethernet

A Foundry Networks router with 10 Gigabit Ethernet optical interfaces (XFP transceiver). The yellow cables are single-mode duplex fiber optic connections.



Fiber Optic Patch Panels Types Prices & Technical

Streamline your fiber connectivity with our premium Fiber Optic Patch Panels and ODF systems. Designed for reliability and ease of use, our rack-mount and wall



Online Bulk Cable Company , CableWholesale

As a premier online bulk cable company, CableWholesale carries a large inventory of computer cables, USB, HDMI, fiber optic, VGA cables, and more. Shop now!



Multi-fiber Push On (MPO) Connectors

Multi-fiber push on connectors, or MPOs, are fiber cable connectors comprised of multiple optical fibers. Learn more at Fluke Networks.

All Kinds of Fiber Optic Patch Cords - SC, LC, FC, ST

Learn about SC, LC, FC, and ST fiber optic patch cords, their uses in FTTH, telecom, and data centers, and how to choose the right type.



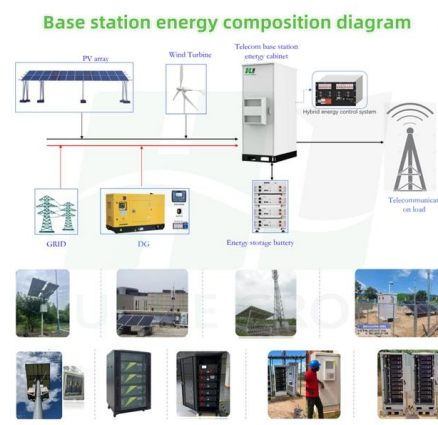
Optical fiber connector

An optical fiber connector is a device used to link optical fibers, facilitating the efficient transmission of light signals. An optical fiber connector enables quicker



Fiber Patch Cables Explained 2025: Types, Connectors,

Choosing the wrong type of patch cable can cause signal loss, downtime, or higher costs. This guide explains what fiber patch cables are, their



How to Choose the Right FTTH Patch Cord for Your

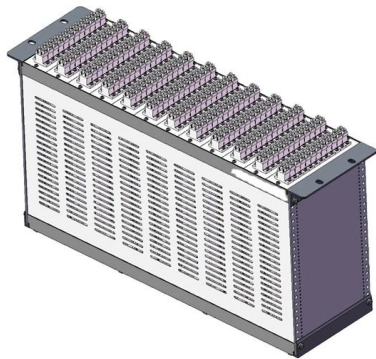
Learn how to choose the ideal FTTH fiber patch cord for OLT, ONU, and data center use. Compare SC vs LC, APC vs UPC, jacket types, and



Durable FTTH Terminal Box , Fiber Termination

Explore reliable FTTH terminal boxes for secure fiber termination and distribution. Wall-mounted design, robust build, for home and industrial optical networks.





Duplex Fiber Patch Cord Selection for Network Cabinets and Links

Duplex Fiber Patch Cord Selection for Network Cabinets and Links duplex fiber patch cord should be selected by connector type, single mode or multimode, polish type, cable length, jacket,

Fiber Patch Cord Types

Discover the complete guide to fiber patch cord types, including single-mode and multimode, LC/SC/MPO connectors, and ruggedized cables for



OYI INTERNATIONAL LTD

Oyi international., Ltd. is a dynamic and innovative fibre optic cable company based in Shenzhen, China. Since its inception in 2006, OYI has been dedicated to

Fiber Optic Patch Cords Guide , Types, Connectors

This guide will help you quickly understand the main types of fiber patch cords and how to choose the right solution for your project - and how ZION



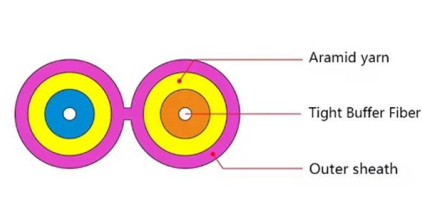


Fiber-optic cable

A fiber-optic cable, also known as an optical-fiber cable, is an assembly similar to an electrical cable but containing one or more optical fibers that are used to carry

Fiber Optic Patch Cord Types

Fiber optic patch cables can be divided into simplex and duplex fiber optic patch cords according to the working mode of the interface. Simplex fiber



Fiber Optic Connectors & Ceramic Ferrules , SC, LC, FC, ST, MPO Types

Upgrade your network performance with our professional-grade Fiber Optic Connectors. Featuring high-precision Zirconia Ceramic ferrules for minimal signal loss, our selection includes industry-standard



Types of fiber Optic Patch Cords' Interfaces and Their

MTRJ type fiber optic patch cord consists of two high-precision plastic molded connectors and fiber optic cables. The outer parts of the connector are precision



ODVA Fiber Optic Connectors (DLC, SC, MPO) - Rugged Waterproof

ODVA fiber optic connectors, cable assemblies & adapters - IP67 waterproof for FTTA and harsh environments. Discover key features, specs, installation tips & FAQs.



Gigabit Ethernet

Optical fiber transceivers are most often implemented as user-swappable modules in SFP form or GBIC on older devices. IEEE 802.3ab, which defines the widely used



How to Use Fiber Optic Adapters?

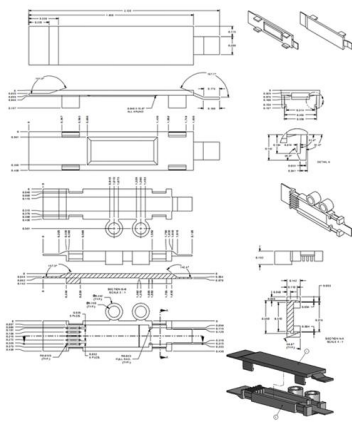
Regularly check the connection status of fiber optic adapters and patch cords to ensure the stability and reliability of the network. Introduction to OTRANS Fiber





5M 12-Fiber MPO APC Female to Female Single Mode Fiber Optic Optical

5M 12 Fiber MPO UPC Female to Female Multi Mode Fiber Optic Patch Cable OM3 Aqua 1-40M
MPO to MPO OM4 Fiber Optic Patch Cord 8,12 Core Type B MTP/Female-Fema lot



FIBER PATCH CABLES DATASHEET

Fiber optic patch cables are ideal for supporting high speed telecommunication network fiber applications. They are manufactured and tested in compliance with TIA 604 (FOCIS), IEC 61754 and

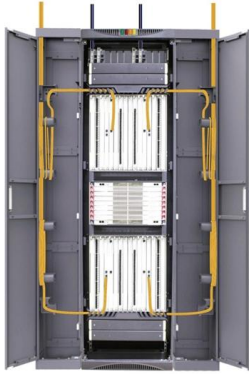
Structured Cabling Solutions

ICC is a structured cabling solutions manufacturer of copper & fiber optic connectivity products for commercial & residential applications.



SOPTO

Fiber optic patch cords, also known as fiber optic patch cables or fiber jumpers, are indispensable components in modern optical networks. They act as the critical link for



Contact Us

For datasheets, pricing, or custom telecom energy solutions, please visit:
<https://www.koskolong.co.za>