



Adam Tas Corridor Energy

Fiberglass float tail material





Overview

Fiber glass rod also features excellent electrical insulation, high impact resistance, and versatile design capabilities. Application:Used for fishing float tail, squid hook, fishing bait and DIY jig lure. Product name: fiber, floating tail, diy floating tail materials grids: the length of each rod is the same, gauge grids: the length is 80cm high-quality fiber rod, and its roundness and straightness can meet the production of high-end floats and high-quality floats Application: this material is used. Cork floats are lightweight, environmentally friendly, and provide excellent sensitivity to fish bites.



Fiberglass float tail material

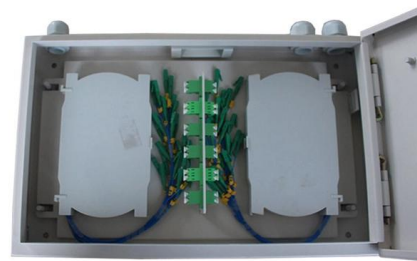


Tail Material

I've made numerous tails out of plastisol, with varying degrees of very soft to almost rigid stiff. I've also made a couple out of Lexan, they can be airbrushed to match the baits.

Mooring Tails-Polypropylene& Polyester Mixed Tail

Mooring tails come in various materials and lengths, with nylon being a common choice for its superior stretch. Polyester mooring tails, although less elastic, offer



What Materials Are Floats Made Of? A Comprehensive Guide

Floats, seemingly simple objects that effortlessly stay afloat, are actually crafted from a surprisingly diverse range of materials. The choice of material depends heavily on the float's

How Does A Fiberglass Boat Float? What You Should

So in summary, the lightweight and watertight properties of fiberglass, along with design



elements like flotation foam, allow fiberglass boat hulls to



Fibre Glass Stems

Price £15.40 + £3.80 Delivery via EVRI Tracked Natural Fibreglass 60cm 24 Lengths. Fibreglass Stem material for float making (Natural). This is 60cm. long

Flotation pods on a fiberglass skiff?

Aluminum boat owners have been welding pods to the stern of their boats ever since the heavier 4 stroke and long tail mud motors came out but I never see anyone do the same on a fiberglass boat.



Float Fishing Float DIY Float Materials Fiberglass Rod High

High-Efficiency Floating Paint, Primer, Floating Material, Floating Paint Repair!!



Semi-Transparent Tail Accessories DIY Handmade Fishing Float Materials

Buy Semi-Transparent Tail Accessories DIY Handmade Fishing Float Materials High-Transparency Fiberglass online today! Dear Sir/Madam, Thank you for visiting our store! The quality of our

Wall Mount Cabinet Server Racks



Solid Fiberglass Float Tail Straight-Shaped Fishing Float Tail

welcome to taobao buy fish float hard tail, taobao tens of billions of hot selling goods, official logistics can be sent to the world, support foreign currency payment and other payment methods, platform

What is a Fiberglass Boat? Everything You Need to Know

What is a Fiberglass Boat? A fiberglass boat is a vessel constructed using a composite material made from glass fiber reinforcements embedded in a



10pcs Solid Fiberglass Rod 40cm Long, Fiberglass Bar for

Product Summary: 10pcs Solid Fiberglass Rod 40cm Long, Fiberglass Bar for Fishing Float Tail Jig Hook Fishing Lure, Fiberglass Rodding (1.0mmX40cm) From Petabo



clamar Floats

Clamar Floats designs and produces straight and amphibious floats for experimental aircraft using high tech materials



Fiberglass ultralight floats, fibreglass ultralight floats, amphibious

Fiberglass ultralight floats, fibreglass ultralight floats, amphibious fibreglass floats for ultralight aircraft.

2-Part Polyurethane Expanding Marine Flotation Foam

2-part expanding polyurethane marine flotation foam for permanent flotation, insulation, and soundproofing. Cures to a 94% closed cell marine grade foam.



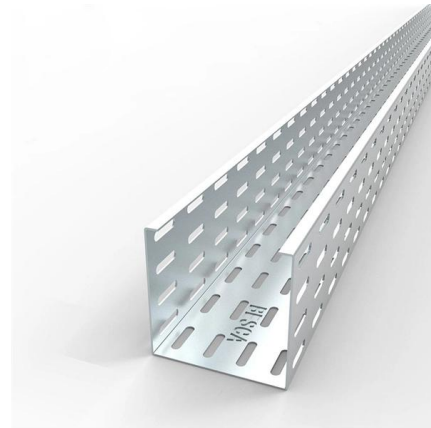
Having Fun With Floats

Types of Floats Basically there are four types of float materials. Wood kits that are built up balsa and light ply, foam that are pre-cut, molded plastic, and ready-made fiberglass. The wood and foam floats



How do I build a fiberglass tail?

My tail i build a fiberglass pan for my seat that bolts through the tail. If you can use the stock one i would go for it. The end product will be nicer. Keep in mind what type of plastic the seat



Lakes & Fishing Tackle , Omnia Fishing

Omnia Fishing is your one-stop-shop for smart fishing tackle online. Try our shop-by-lake map and get better resources to land more fish. Learn more!





Transparent Fiberglass Fishing Float Tail DIY Material Straight Tail

Transparent Fiberglass Fishing Float Tail DIY Material Straight Tail Four Diameter Options First Class Transparent Float Tail App Brand: No Brand More Outdoor Sports & Activities Equipment

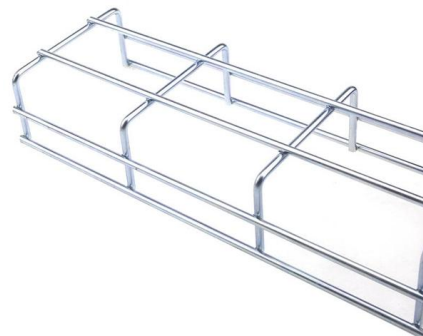


Catamarans , The solution to prevent excessive flexibility in the rear

The solution to prevent excessive flexibility in the rear of a leopard catamaran is to reinforce the transom with 7500 gram thickness of fiberglass with vacuum bag process - the result are amazing

Transparent Fiberglass Fishing Float Tail DIY Material Straight Tail

Transparent Fiberglass Fishing Float Tail DIY Material Straight Tail Four Diameter Options First Class Transparent Float Tail



Fibre Glass Stems

Natural Fibreglass 60cm. 100 Lengths Fibreglass Stem material for float making (Natural). This is 60cm. long (a shade under 2 Feet). 0.8mm / 1.0mm. Trade pack



E1111v 0.8-2.8mm Round Glass Fiber Stick DIY Fishing

Buy E1111v 0.8-2.8mm Round Glass Fiber Stick DIY Fishing Float Tail Material Fiber Rod For Squid Jig Hook Fishing Tackle Accessories at Aliexpress for . Find more



What materials are fishing floats commonly made from, and how do

Composite Materials: Some fishing floats are made from composite materials, such as fiberglass or carbon fiber, which offer a combination of strength, durability, and buoyancy.

Fiberglass cloth selection , Boat Design Net

I'm totally baffled at the absence of anyone providing an off-the-shelf set of amas at a reasonable price when it would take such a small amount of





Fiberglass Boat: The Ins and Outs

Fiberglass Boat: The Ins and Outs Fiberglass vessels have surged in popularity over recent decades owing to their clear advantages over conventional construction materials. Initially introduced in the

Beavertail Skiffs , The very best in shallow water skiffs

Beavertail Skiffs truly sets the bar when it comes to designing and building the most spectacular shallow water, technical poling skiffs on the market.



Boat Tail Question

On the aft end the ID of the boat tail would fit flush with the OD of a 3.0" internal body tube. I'd then build my 38mm motor mount into the inner 3.0" body tube and moun



10pcs Solid Fiberglass Rod 40cm Long, Fiberglass Bar for

10pcs Solid Fiberglass Rod 40cm Long, Fiberglass Bar For Fishing Float Tail Jig Hook Fishing Lure, Fiberglass Rodding Material: Glass Fiber Color: White Length: 40cm Size (optional):



Contact Us

For datasheets, pricing, or custom telecom energy solutions, please visit:
<https://www.koskolong.co.za>