



Adam Tas Corridor Energy

Flowchart of Optical Fiber Cable Assembly





Flowchart of Optical Fiber Cable Assembly

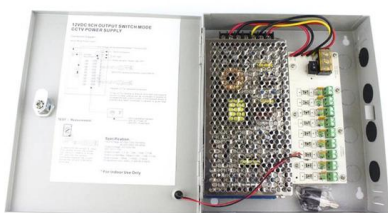


Fiber-optic cable

A fiber-optic cable, also known as an optical-fiber cable, is an assembly similar to an electrical cable but containing one or more optical fibers that are used to carry

Optical Fiber Manufacturing Process And Methods

Adhering to exacting quality standards is paramount when fabricating the optical fiber and protective cable assembly. Consistent precision is required in



Design Guide

Those involved in fiber optic project design should already have some background in fiber optics, such as having completed a FOA CFOT certification course, and may have other training in the specialties

1166-D02

Part 2 describes the assembly of the fiber optical cable including installing the connectors. Part 3 details the steps involved in polishing the cable



and connector end faces. Part 4 details the steps for



How does fiber optics work?

An easy-to-understand introduction to fiber optics (fibre optics), the different kinds of fiber optic cables, and how light travels down them.

How to Install Fiber Optic Cables: A Step-by-Step Guide

Fiber optic cables offer superior performance compared to traditional copper cables, making them the preferred choice for modern communication networks. In this



Basic Components of a Fiber Optic Cable - trueCABLE

This article examines the key components that make up a fiber optic cable including the core, cladding, coating, strengthening fibers and cable jacket.



Optical Fiber Cable Installation Guideline

In general, fiber optic cable can be installed with many of the same techniques used with conventional copper cables. Basic guidelines that can be applied to any type of cable installation are as follows:



FIBER OPTIC CABLE ASSEMBLY MANUFACTURABILITY AND

The purpose of this document is to define the standards and guidelines that should be followed in order to fabricate a harsh environment fiber optic cable assembly.

fiber optic cable assembly

A fiber optic cable assembly refers to a complete unit consisting of optical fibers, connectors, protective jackets, and other components that are assembled together to facilitate the transmission of optical



Optical Communications Products

Browse our optical communication connectivity products designed to help you enable your communication networks. Easily create a bill of



materials list.

Introduction to Fiber Cable Assemblies

We can design and manufacture fiber optic cable assemblies for almost any application, meeting your requirements for cost, performance, reliability and rapid delivery.



Fiber Optic Cable Preparation for Fiber Optic Cable Assembly

Fiber Optic Cable Preparation prior to connector loading during the fiber optic termination process. For more FOC Technical Expertise on Cable Prep, visit our

Why Automation Control in Fiber Optic Cable Assembly

Fiber Optic Center, Inc., (FOC), is an international leader in distributing fiber optic components, equipment, materials, and supplies known for helping





Fiber optic cables design flowchart

Later, fiber manufactures became able to fabricate optical wave-guides with very low losses at the 1.1 to 1.6 um region by reducing the concentrations of the hydroxyl ions and metallic ion impurities in the

Guide to the Construction of Optical Fiber Cable Factories

The main processes involved in optical fiber cable manufacturing include fiber production, cable sheathing, cable assembly, and testing. Each process requires



OPTICAL FIBRE CABLES INSTALLATION GUIDE

In any cable deployment, whether it is optical fibre or any other type of cable, it should be considered the considerable number of tasks related to the manipulation and laying of the cable. Cable laying needs

Fiber Optic Cable Assembly Process: Why it's not Like the

Fiber optic cable assembly understanding Cable assemblies combine several wires and connectors with doing what is needed. But it's hard to put fiber optic components together. Fiber is

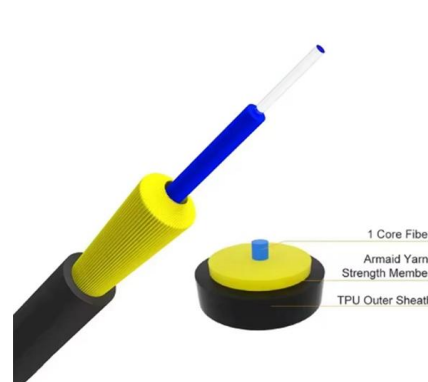


Design and Critical Process Requirements for Optical Fiber, Optical

1.1 Scope This document provides design and critical process requirements and technical insight for cable and wire harness assemblies incorporating optical fiber, optical cable and hybrid wiring

Fiber Optic Assemblies

Fiber Optic Assemblies How to Order: 1) Choose your cable codes from the Cable Information table. 2) Choose your connector codes from the Connector Codes table (consult factory if your connector is



Optical Fiber Cable Installation Guideline

1. Recommendations for Fiber Optic Cable Installation 1.1 General recommendations for all installation and storage areas of cable (indoor/outdoor) Where reels are supplied with protective material fitted





Fiber Optic Cable Assembly Manufacturing Process

This paper addresses four general processes of typical fiber optic cable assembly production, some important sub-tasks, how they can contribute to product quality,



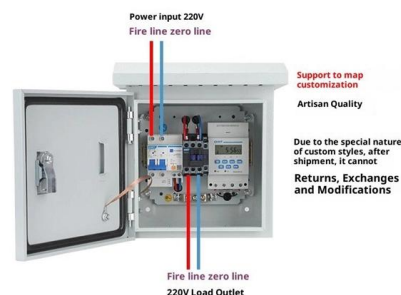
Handbook Optical fibres, cables and systems

The simultaneous availability of compact sources and of low-loss optical fibres led to a worldwide effort for developing optical fibre communication systems. The real research phase of fibre-optic

Fibre Optic Cable Installation SOP

This document provides a method statement for the installation of fibre optic cables. It outlines the planning, site preparation, installation of underground and aerial

Product Wiring Diagram



Exploring the Fiber Optic Cable Manufacturing Process

In short, the construction of fiber optic cables is a highly specialized and advanced level procedure. Each step, starting from the preform fabrication to final quality assurance tests, needs to be completed with



The FOA Reference For Fiber Optics

Fiber Optic Network Design Jump To: The Communications System Cabling Design Choosing Transmission Equipment Planning The Route Choosing Components



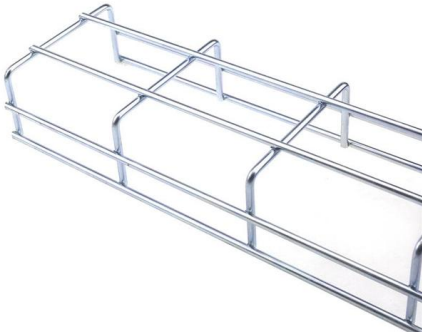
Optical Fibre Manufacturing Process

Optical Fibre and Cable Testing Performance verification forms an integral part of the manufacturing of optical fibre. The capability of each length of optical fibre to meet the required optical, geometrical,

Assembly Handbook: Fiber Optics

However, fiber optic communication requires more than just hair-thin strands of glass. A wide variety of optoelectronic components and photonic devices are necessary to generate, transmit,





Optical Fiber Cable Engineering Construction: A

Optical Fiber Cable engineering construction refers to the process of designing, planning, executing, and maintaining communication system infrastructure by

Contact Us

For datasheets, pricing, or custom telecom energy solutions, please visit:
<https://www.koskolong.co.za>