



Adam Tas Corridor Energy

Horizontal fiber optic cable organizer





Overview

Horizontal Cable Manager provides a solution for organizing cable on any Standard 19" cabinet and to meet ANSI/TIA/EIA installation guidelines for copper & fiber cabling. Available in sizes ranging from 1U to 4U, as well as a broad selection of styles, including. Optimize closet space and organize your cabling system with any of OCC's horizontal cable managers.



Horizontal fiber optic cable organizer

Horizontal Cable Managers



Olabs Horizontal Cable Manager is designed for the purpose of keeping cables under a professional & clean environment. With snap-on hinged cover design, it provides an attractive and highly functional

Fiber/Copper Cable Manager, 1U Horizontal, Yellow

This 1U horizontal manager offers proper bend radius to eliminate stress on the



Horizontal Cable Management

Belden Horizontal Cable Managers allow routing of copper and fiber cables/patch cords in racks and cabinets while helping maintain proper bend radius and

Fiber Optic Cable Manager, 19 Inch 12 24 Slots Single

UnitekFiber can provide you with promotion low price cable management bar, 1U 2U 19 inch



single sided horizontal vertical fiber optic cable



Fiber Optic Cable Manager,12 Slots 1U 19 Inch

UnitekFiber can provide you with high quality optical cable organizer,1U 2U 19 inch 12 24 slots horizontal fiber optic cable manager for data center. Contact us for

Fiber Cable Management

Our Cable Shelves work great with our Hook and Loop Cable Ties. They save time when routing fiber optic cables around server components. Fiber Savvy supplies Hook and Loop Fiber Cable



Horizontal Cable Managers

Optimize closet space and organize your cabling system with any of OCC's horizontal cable managers. This complete line of horizontal cable management



Cable Management Solutions , Leviton Network Solutions

Leviton has a wide offering of cable management solutions for both copper and fiber installations. Products include vertical and horizontal cable managers, rear cable



1U Horizontal Cable Management Panel (Black Metal)

1U Horizontal Cable Management Panel (Black Metal) for protecting and easily routing fiber optic cables (Standard 19" Racks) OptoSpan Advantage: A high

Efficient Cable Management Solutions, Cable Managers

Get a horizontal/vertical cable manager to safely organize and protect your cables.



1U 19-inch Rack Horizontal Finger Duct Cable Management w/ Cover

The horizontal cable management is specially designed



1U 19-inch Rack Horizontal Finger Duct Cable

The horizontal cable management is specially designed



1U Cable Organizer with Cover Horizontal , Special Project Price ,

Fiber4u 1U Horizontal Cable Organizer, With Cover , Fiber4u IT: 20 Years of Affordable and professional Network Infrastructure Solutions



How to Use Rack Cable Organizer for Cable Management

As we know, it is vital to keep cable well-organized when working with server rooms and data centers. For cable management, rack cable organizer is





Horizontal & Vertical Cable Managers

Organize network infrastructure with CommScope Horizontal and Vertical Cable Management Kits. Sturdy aluminum structures, troughs, spools, and trays keep cables secure and concealed.

Fiber Cable Management

Fiber Savvy's Fiber Cable Management solutions not only organize fiber cable, but also protects fiber in various ways. We supply a wide selection of Fiber Cable Trays, Ladder Racks, Cable Lacing



2U Ring Cable Organizer Horizontal , Special Project

Fiber4u 19" 2U Hook Cable Organizer Fiber4u 19" 2U Hook Cable Organizer is an accessory designed to professionally organize cables within cabinets. This

Wall Mount Fiber Optic - Cable Organizer

Wall mount fiber optic cabinets, connector housings, and patch panel enclosures are designed to protect sensitive fiber connections from dust, damage, and



Cable Manager

Fiber Optic Cable Manager Fiber optic cable management as a component used to keep fiber patch cord and copper cables organized. Fiber optic patch cords are



19" 1U Horizontal Cable Organizer with Plastic Hook

Canovate 19" 1U Horizontal Cable Organizer with Plastic Hooks is specially designed to organize cabling applications inside the rack cabinet. While organizing the



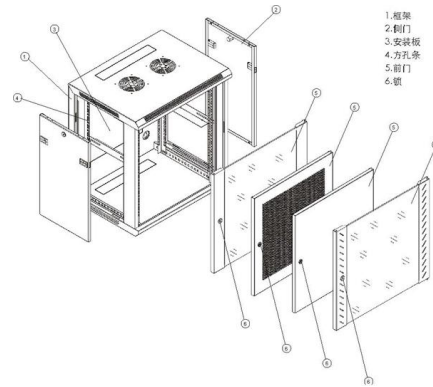
Cable Organizers

Fiber4u offers a wide range of cable organizers to help organize and optimize your network infrastructure. Our vertical and horizontal cable organizer solutions suitable for rack cabinet systems



Horizontal Cable Managers

[Olabs Fiber Solutions - FiberFlex(TM)] Olabs Horizontal Cable Manager is designed for the purpose of keeping cables under a professional & clean environment. Horizontal Cable Manager provides a



Explore Horizontal Cable Managers to Optimize Rack

Unlike finger duct cable managers, D-ring horizontal cable managers feature an open-access design that allows for efficient network cable

1U Cable Organizer with Cover Horizontal , Special Project Price

Fiber4u 1U Horizontal Cable Organizer, With Cover , Fiber4u IT: 20 Years of Affordable and professional Network Infrastructure Solutions



Fiber Optic Cables - CableOrganizer

We offer a generous selection of fiber optic cables. Single or multimode patch cords are available for multiple applications: mechanical use, short in-office runs, longer





Fiber/Copper Cable Manager, 1U Horizontal, Yellow

1U Horizontal Cable Manager Keeps Your Rack Looking Neat and Organized Easy to mount on either the front or rear of your rack cabinet or open frame rack, the



Optical Cable Corporation (OCC)

See the company profile for Optical Cable Corporation (OCC) including business summary, industry/sector information, number of employees, business summary, corporate governance, key

Horizontal Cable Management - CableOrganizer

Organize cables side to side across a rack unit with horizontal cable management, reducing strain, improving airflow, and facilitating maintenance. Use it to help



Contact Us

For datasheets, pricing, or custom telecom energy solutions, please visit:
<https://www.koskolong.co.za>