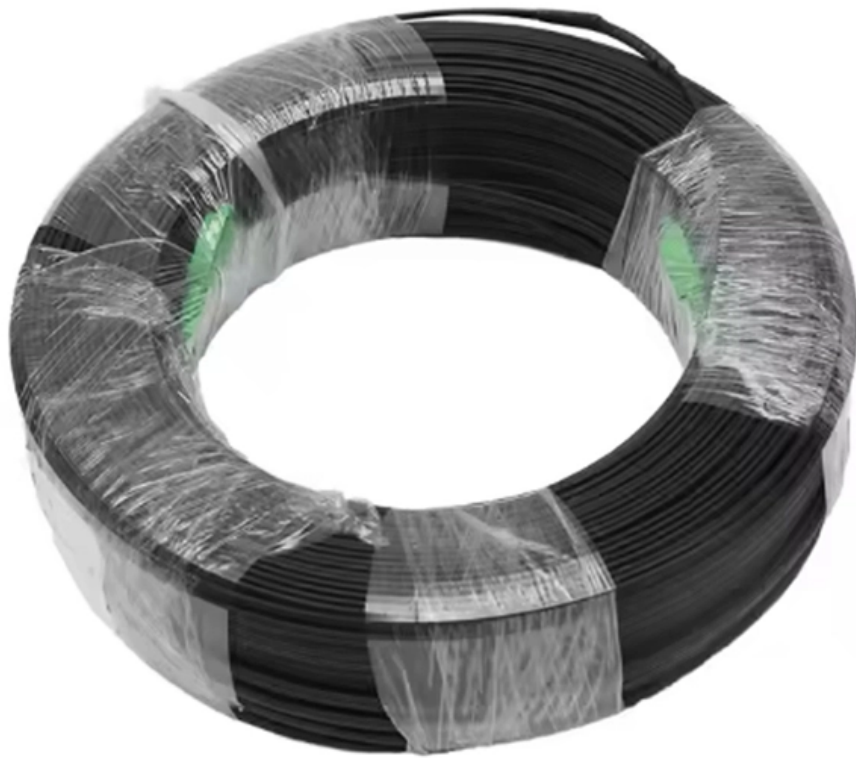




Adam Tas Corridor Energy

How high is the base for the distribution box





Overview

7 meters) high makes it easily accessible without the need to bend or stretch excessively. It takes the incoming power and safely distributes it to different circuits throughout your building. When preparing the tools and materials that are needed for installation, an electrical enclosure is a.



How high is the base for the distribution box



Procurement Integrated Enterprise Environment (PIEE)

About PIEE. The Procurement Integrated Enterprise Environment (PIEE) is the primary enterprise procure-to-pay (P2P) application for the Department of Defense and its supporting agencies and is

Key Points Of Installation And Collocation Of Distribution Box In

Distribution box and switch box shall be made of iron plate or high-quality insulating material, and the thickness of iron plate shall be greater than 1.5mm The electrical equipment in the distribution box



What Is an Electrical Distribution Box? A Complete Guide

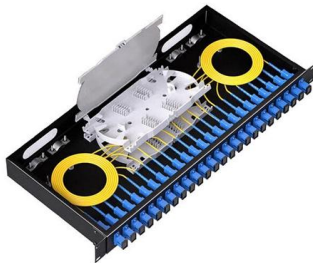
What Is an Electrical Distribution Box? An electrical distribution box serves as a centralized unit for distributing electrical power within

What is the Ideal Installation Height for a Distribution Box

The proper installation of a distribution box involves placing it at the right height to ensure



safety and convenience. Mounting it 4.5 to 5.5 feet (1.4 to 1.7 meters) high



Installation points of household distribution box

The distribution box of household distribution box should not be installed too high. Generally, the installation elevation is 1.8m to facilitate operation; the electric pipe

Notes for Installation of Distribution Box

Installation position should not be too high to avoid inconvenience in normal use. Usually, the installation height of the distribution box can not exceed 1.8 meters, and the tube needs to be fixed with a



How to choose a distribution box of the right size for a project based

The truth is, sizing a distribution box isn't rocket science, but it's not as simple as just picking something that looks about right either. When you base your decision on actual load current rather than



How to Improve the Installation Quality of Distribution Boxes

According to standards, the height from the bottom edge of a distribution box to the floor is generally 1.5m, and for distribution boards, it should not be less than 1.8m.



How to Choose a House Distribution Box , CHINT global

This article guides you through selecting a distribution box that is both affordable and safe, emphasizing key features, configuration, and practical

What Is a Distribution Box?

What to Look for When Choosing a Distribution Box If you're going to buy a distribution box, there are several things you should look for. You should



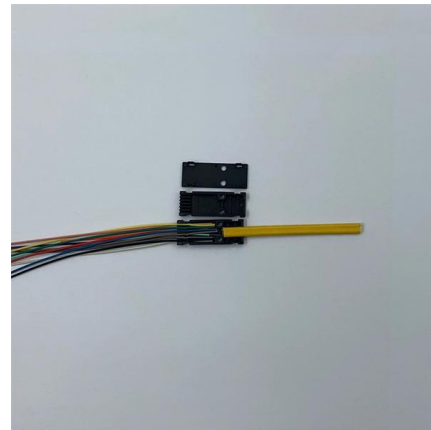
The Complete Guide to Distribution Box: Installation, Types & More

Frequently Asked Questions How often should distribution boxes be inspected? Distribution boxes should receive visual inspections monthly and comprehensive professional



Requirements And Specifications For Installation Of

The bottom edge of the distribution box is usually between 1.5 meters and 1.8 meters above the ground, which is convenient for operation and



High-Quality FTTH Fiber Boxes

Explore our FTTH fiber boxes, including distribution boxes, termination boxes, wall outlets, and fiber access terminals. Ideal for residential, MDU, and commercial



Ultimate Guide To Distribution Boxes Db Boxes Types

This ultimate guide explains what a distribution box does, its internal components, common types, real-world applications, and how to select the right DB Box for





How to Install a Distribution Box--A Comprehensive

The best height for installing residential distribution boxes is 1.5 meters above the ground, while for industrial distribution boxes, the height

What is the Internal Structure of The Distribution Box

Learn about the internal structure of a distribution box, its components, functions, and key types. Understand its role in electrical systems



The installation requirements for the distribution box

The distribution box shall be installed horizontally and vertically. After the box is placed, the perpendicularity of the box shall be found with ruler board to meet the requirements.

Understanding Distribution Boxes: A Comprehensive Guide

A distribution box, also known as a power distribution box or electrical distribution box, is used to distribute electrical power safely to multiple



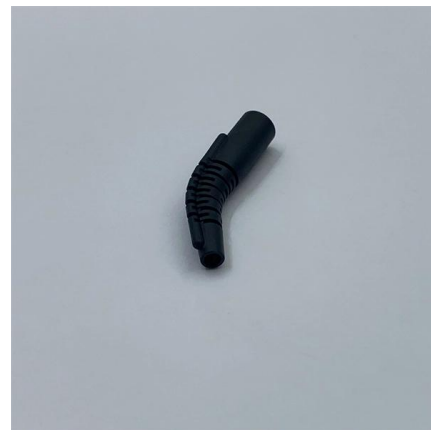
Atlantic International University

Hier sollte eine Beschreibung angezeigt werden, diese Seite lässt dies jedoch nicht zu.



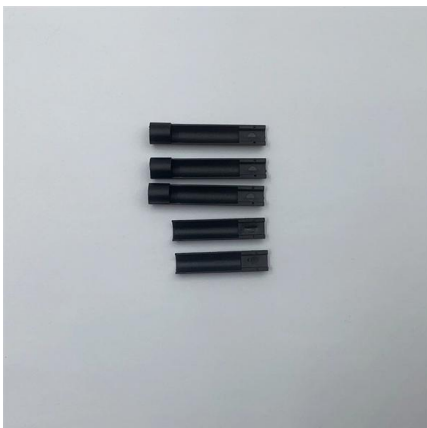
Nagaland News, India News, Northeast News

The Morung Express brings the Latest News, Top Breaking headlines on Politics and Current Affairs in Nagaland India and around the World, Naglaand News, Naga



Small distribution box installation steps

The steps to install a small distribution box include selecting a suitable location, installing the base, placing the distribution box, connecting the





How to determine the size, installation method and

9) The wood brick and iron parts needed for the installation of the distribution board need to be buried in advance, and the exposed distribution box should be fixed



Understanding Distribution Boxes:A Comprehensive Guide

A distribution boxes is an essential device that manages the safe and efficient flow of electrical power throughout different areas of a building or facility.



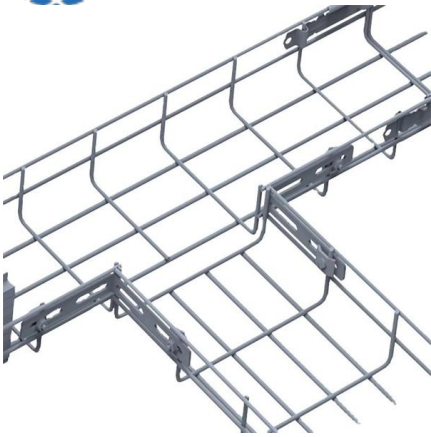
Installation requirements for distribution boxes

Distribution boxes shall be made of non-combustible materials; open distribution boards may be installed in production places and offices with low electric shock risk; enclosed cabinets shall



Requirements And Specifications For Installation Of

In flammable and explosive environments, explosion-proof distribution boxes should be selected and explosion-proof treatment should be carried out.



Contact Us

For datasheets, pricing, or custom telecom energy solutions, please visit:
<https://www.koskolong.co.za>