



Adam Tas Corridor Energy

How to connect the aluminum wires in the power distribution cabinet



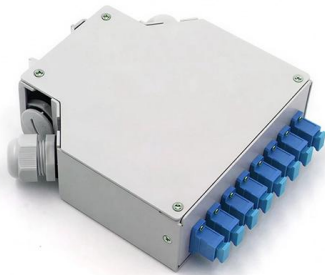


Overview

In this guide, we'll walk you through the best methods to join aluminium wire, the essential tools you'll need, and the step-by-step process to ensure a successful splice. Aluminium wire is a staple in many electrical and construction projects due to its lightweight and excellent conductivity. Using the advantages of aluminum cable / aluminum wires - Professional connection of aluminum wires in terminal blocks Economic development and industrialization in most emerging countries are causing raw material prices on the world market to rise rapidly. In this tutorial, you'll discover practical electrician techniques for winding and connecting aluminum wires with a bifurcation method.



How to connect the aluminum wires in the power distribution cabinet



How to Make Safe Wire Connections (DIY) , Family

Introduction Making safe, dependable wire connections is critical to any wiring job. Loose wires cause arcing, tripped breakers and electrical fires, so

A Guide to Aluminum Wiring from DOC Electrical Services

The lower weight of aluminum wires in particular makes these electrical conductors well suited for use in power distribution systems by electrical utilities, as



Aluminum building wiring

Aluminum provides a better conductivity-to-weight ratio than copper, and therefore is also used for wiring power grids, including overhead power transmission lines

Power Distribution Board: Uses, Role & How its Work

Learn about power distribution boards: their



uses, role, and how they work to manage electrical power distribution efficiently and safely in various setups.

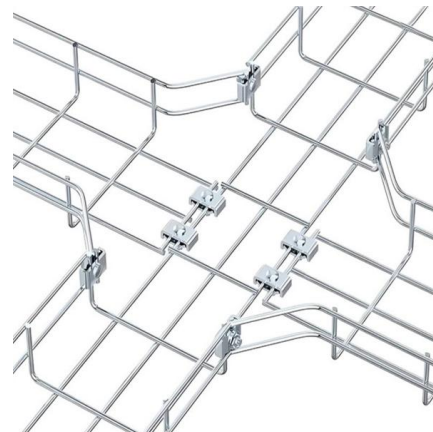


How to Install a Cable Distribution Box Safely and

In modern electrical systems, cable distribution boxes (also known as electrical distribution boxes or distribution boxes) play a crucial role as the key

Soldering Multiple Wires for a Distribution Joint

Soldering Multiple Wires for a Distribution Joint: Sometimes it's necessary to split power/signal from a single wire to multiple outputs. Normally I'd prefer to use a



Power distribution blocks (PDB) for DIN rails

The brass core of the distribution block with its special coating, in combination with the hexagonal screws, allows for connection of copper and aluminum wires.



Connection of aluminum wire in terminal blocks

Weidmüller's WPD terminal blocks enable a simple, safe and cost-effective transition from aluminum wires or aluminum cables to copper wires within the switchgear.



How to connect and install electrical cabinets easily?

Hi everyone, in this video, let's connect and install the distribution cabinet for the apartment. #electrical #electrician #industrialelectrician #electricale

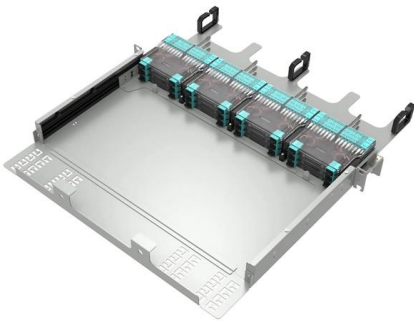
How to Wire an Electrical Circuit Breaker Panel

Learn how an electrical circuit breaker panel is installed. Normally this is a job that should be attempted only by a licensed



Cable Connections to the Power Supply and Distribution System

If the cable length needs to be adjusted, adjust the cable to a proper length based on the actual position of the power distribution module, crimp the terminal, and then connect the cable.



How to Connect Aluminum Wires Safely , Electrician Wiring Skill

The video walks you through the complete step-by-step process -- from preparing the wire ends to creating a stable and low-resistance connection.



Computer Wiring: How to Connect Your Computer Wires

Computer wiring is critical when you build your own computer. Understand how to wire computer connectors, the importance of wiring harness connectors and how



How to quickly connect copper and aluminum wires

How to quickly connect copper and aluminum wires #Electricalwiring #Wiringtips Electric Master 887K subscribers Subscribe





How to Wire a Main Breaker Panel

Wiring a main breaker panel means setting up the central hub that distributes electricity throughout a building. At the heart of the panel is the main

How to Wire a Subpanel? Main Lug Installation for

How to Wire 240V, 208V & 120V, 1 & 3-Phase, High Leg Delta Main Panel? What is a Subpanel? A subpanel (Remote Panel in NEC) is a smaller service panel



A visual guide to wiring a load center

Wiring a load center is an essential part of any electrical installation. A load center, also known as a breaker box or electrical panel, is the central hub where

Connecting Aluminum Wires - How to Do It Correctly

So how do you connect aluminum wires and what to do when you want to connect them to copper wires? Learn effective and safe work methods.



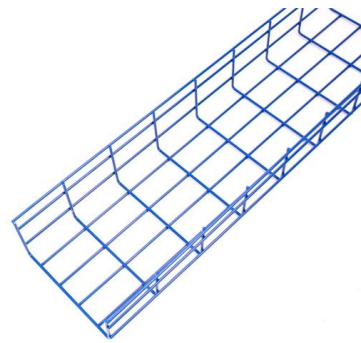


Power Distribution Unit (PDU) Installation Guide

The Keysight E7685A PDU Installation Kit enables you to mount an Keysight Power Distribution Unit (PDU) in an Keysight instrument rack. This kit is required if the rack is not already equipped with a

Connecting Aluminum Wires - How to Do It Correctly

When creating electrical installations, as well as their modernization, it is necessary to determine how the aluminum wires will be connected



Connection of aluminum wire in terminal blocks

Aluminum cable / aluminum wire as a new trend Economic development and industrialization in most emerging countries are causing raw material prices on

How To Wire A Main Electrical Panel

In this video I show you how to wire a main electrical panel from start to finish. I show you how to wire a panel box neatly and very detailed to give a good looking wiring job.



Residential Electric Meter Box Wiring Diagram Guide

Clear wiring diagram for residential electric meter box, showing connections, safety components, and layout for accurate installation and maintenance.



Wiring Distribution Panels: Cable Types, Installation, & More

Wiring distribution panels serve as the central hub and nerve center, routing power from the main service feed to multiple circuits. When setting up such a significant component of industrial,



POWER CABLE INSTALLATION GUIDE

Southwire Company's Power Cable Installation Guide provides installation information for extruded dielectric power cable systems. This guide covers copper and aluminum conductors from No. 14





Contact Us

For datasheets, pricing, or custom telecom energy solutions, please visit:
<https://www.koskolong.co.za>