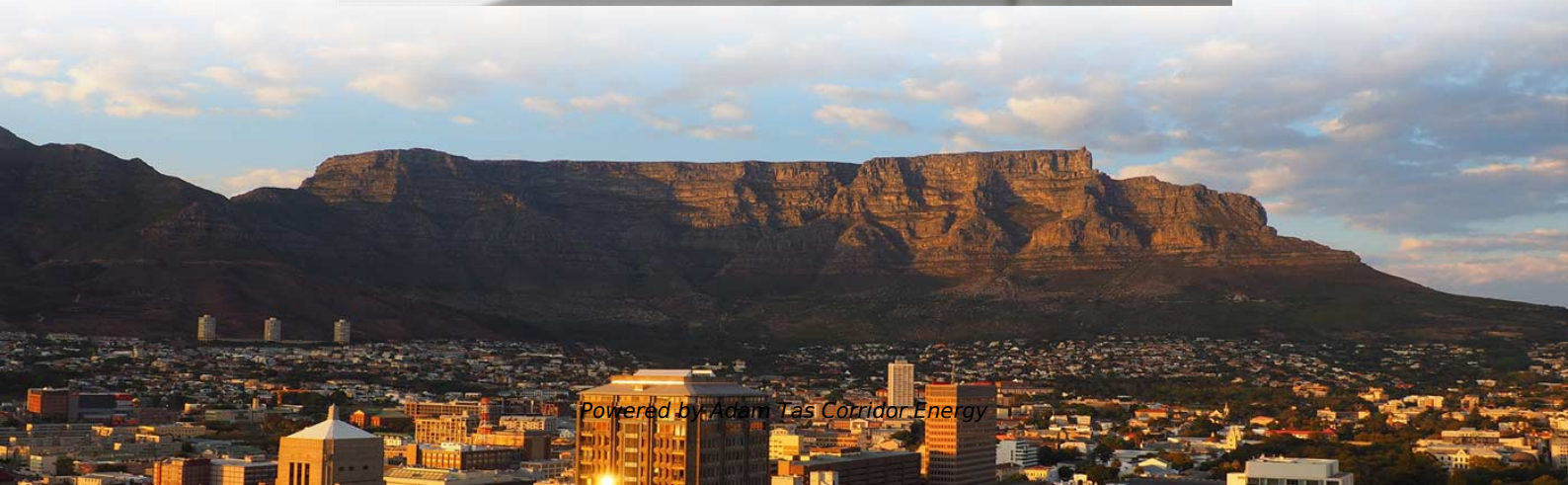




Adam Tas Corridor Energy

How to connect the fiber optic cable to the router and the network cable





Overview

Fiber optic cables carry light signals, not the electrical signals your router uses. The key component is an Optical Network Terminal (ONT) or Optical Network Unit (ONU). In this guide, we'll walk you through how to connect a fiber optic cable to a router safely and efficiently. **Why Use Fiber Optic Internet?**

Before diving into the setup, let's quickly recap why fiber optics are worth the effort: Lightning-fast speeds (up to 1 Gbps or higher).



How to connect the fiber optic cable to the router and the network



ONT What is it and how is it used in a fiber network?

Learn what an ONT is, how it connects fiber Internet to your home, and what to use instead if you have cable Internet. Explore fiber vs. cable options here.

Fibre-optic Link Around the Globe

Fibre-optic Link Around the Globe (FLAG) is a 28,000-kilometre-long (17,398 mi; 15,119 nmi) fibre optic mostly- submarine communications cable that connects



How to Connect Fiber Optic Cable to Router: Top 5

Learn how to connect fiber optic cable to router with our step-by-step guide. Optimize your home network for speed and reliability!

Fiber Internet Equipment: Routers, ONTs, and What

Professional technicians handle ONT installation since it requires specialized tools and expertise



to properly connect fiber-optic cables. However,



Optical Communications Products , Communication Network

Browse our optical communication connectivity products designed to help you enable your communication networks. Easily create a bill of materials list.

I upgraded to fiber and my Wi-Fi still lagged: How to find the hidden

Bottlenecks within your connection can matter a lot more. Fiber can improve the connection coming into your home, but it can't automatically fix what happens after that signal



Cable Internet Providers in Your Area by Zip Code

Compare the speeds and prices of cable internet providers in your area. Find the best deal for you and get connected today!



How to Get Internet to a Shed, Garage, or Barn (2026)

There are three main categories of strategies for extending your Internet connection to an outbuilding. These strategies include connecting the buildings via wireless communication, a wire, or



How to Connect Fiber Optic Cable to Router: A Step-by-Step Guide

Connecting a fiber optic cable to a router might seem daunting at first, but with the right tools and a bit of patience, it's a straightforward process. Here's a step-by-step guide to help you through it.

List of terrestrial fibre optic cable projects in Africa

This is a list of terrestrial fibre optic cable projects in Africa. While submarine communications cables are used to connect countries and continents to the Internet, terrestrial fibre optic cables are used to



Patch Panels: A Complete Guide

Patch Panel Performance Next, you need to look at the cable type supported by your patch panel and decide what kind of performance you want



Fiber testers : Equipment and tools , Fluke Networks

Fluke Networks is a market leader in enterprise fiber testing equipment, with a wide range of field-tough fiber testers to help you inspect, clean, verify, certify, and troubleshoot your fiber optic cable networks. Here are some common types of fiber optic cabling testers and how they're used. Fiber detectors



The FOA Reference For Fiber Optics

The Optical Time Domain Reflectometer (OTDR) is useful for testing the integrity of fiber optic cables. It can verify splice loss, measure length and find faults.



How to Connect Fiber Optic Cable to Router: Complete

By following this detailed guide, you've not only learned how to connect fiber optic cable to router properly but also how to optimize and maintain



Only Tier 1 Private Sector Submarine Fiber Optic Cable

Empowering Businesses with Pakistan's only private sector Tier 1 Submarine Fiber Optic Network Provider - TW Associates, ensuring unparalleled connectivity for



How to connect a fiber optic cable to the router

Connect the fiber optic cable to the router:
Carefully insert the end of the fiber optic cable into the corresponding port on the router. Make sure the connection is tight to avoid connection



Structured Cabling Solutions

ICC is a structured cabling solutions manufacturer of copper & fiber optic connectivity products for commercial & residential applications.



Complete Guide to Fiber Optic Home Networking

Build a home fiber network for 1-2 Gbps speeds with this complete guide to installation, troubleshooting, and performance.



\$IONQ IonQ published a patent today that solves a problem in

To connect quantum computers across a city, a country, or an ocean, you need to send the information they produce through fiber optic cables. This fiber already exists.

How to Connect a Fiber Optic Cable to a Router , Network Setup - Sivo

Step 1: Connect the fiber cable from the ISP into the designated port on the ONT. Step 2: Connect an Ethernet cable from the ONT's Ethernet port to your router's WAN port.



How To Connect Fiber Optic Cable To Router?

Connecting a fiber optic cable to a router involves a few key steps and specialized equipment. Here's a simple guide to help you through the process: 1. Check Your Fiber Optic



Global IT Products & Network Solutions Provider , Black Box

Black Box provides cutting-edge IT solutions and technology products to businesses worldwide, ensuring innovative and reliable services for global digital transformation.

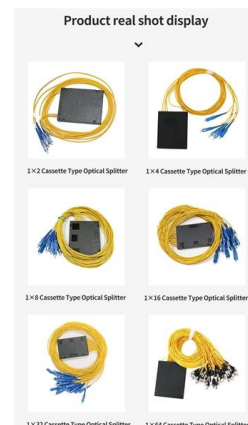


Cables, Adapters, Fiber, Network Add-ons & Tools , Computer Cable

Cables, Adapters, Fiber, Network Add-ons & Tools
This 20m Multimode Duplex OM4 Fiber Optic Patch Cable (50/125) - LC to LC has ceramic ferrules and a 50/125 micron core, this cable is suitable for

Fiber Optic Cable Assemblies

Corning offers the most complete line of connectors and factory-terminated cables, from single-fiber patch cords to high-fiber-count assemblies.





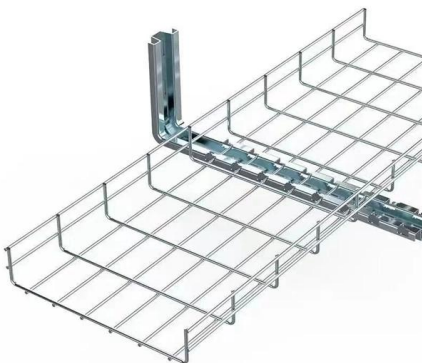
How to Connect a Fiber Optic Cable to a Router



Setting up a fiber internet connection requires understanding key hardware components and following a specific connection sequence to establish your home network. This guide details the

The 8 Must-Have Items of Equipment You Need for

Despite their advanced technology, fiber optic cables are lighter, thinner, and more flexible than copper cables. Fiber optic cables maintain signal



Physical Components of Computer Network

There are two types of Ethernet: Fibre Optic Cable: In fibre optic cable data is transferred in the form of light waves. Fibre Optic Cable Coaxial Cable:

How to Connect Fiber Optic Cable to Router: A Step-by

However, setting up a fiber optic connection to your router can seem daunting if you're unfamiliar with the process. In this guide, we'll walk you through



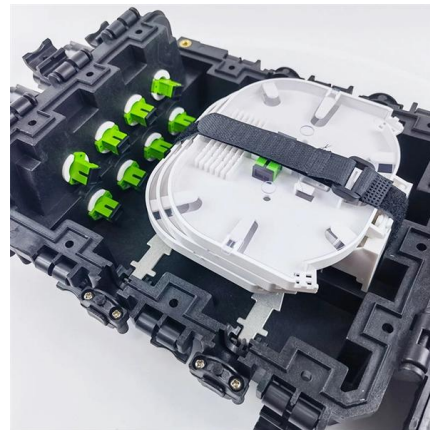
How to Connect Fiber Optic Cable: Comprehensive Guide

This article will guide you through the necessary tools, materials, and methods on how to connect fiber optic cables effectively, ensuring you achieve



How is Full Fibre Installed? Openreach

An Optical Network Terminal (ONT) will be installed inside your home. This connects the fibre line to your broadband router. Testing your service Once installed, the



Contact Us

For datasheets, pricing, or custom telecom energy solutions, please visit:
<https://www.koskolong.co.za>