



Adam Tas Corridor Energy

How to cut the upper left bend of the cable tray





Overview

The bends, tees, crosses, risers and reducers of wire mesh cable tray can be easily and quickly made live at the project by using a bolt cutter. Since the jaws of the bolt cutter drags a layer of zinc across the cut end and forms a protective layer. As well as, learn about what's important to consider before you start cutting, what tools we recommend and after treatment of products. How to bend 90 degree of cable tray 3 line with the same distance :// • HOW TO BEND 90 DEGREE OF CABLE TRAY 3 LINE. You have used your protractor and worked out you need to make a 22° angle in a 600mm cable tray.



How to cut the upper left bend of the cable tray



Bending Cable Tray

Bending Cable Tray - NO Fancy Tools Required
Students trading aid on how best to put an internal 90 degrees bend in steel cable tray. Includes a full demonstration on how bend steel cable tray using a crimping to.

Trunking Cutting Techniques Guide , PDF

The document provides instructions for forming various bends and joints in electrical trunking and cable trays. It describes: 1) How to mark and cut a right-angle



How to make a bend on an open cable tray

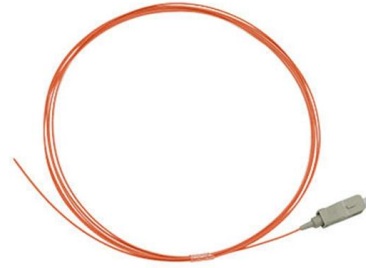
This video shows you how easy it is to form and bend an open cable tray from SILTEC - suitable for cables and pipes. See how easy it is to cut the threads away and bend the tray.

TIPS HOW TO BEND CABLE TRAY USING X.80 FORMULA ANY

Timelapse : The girl spent 10 days repairing and restoring the decommissioned tractor-trailer



Cable Tray & Trunking 90 Degree Bend Cutting Measurements A to Z? Cable Tray 90 Degree



Bending Cable Tray

You can buy a manufactured 90 degree bend or make one on a cable tray bending machine but in this video I show you how to make one using a metal

How to cut Channels, Cable Ladders and Cable Trays

Following the advice given in this cutting guideline will lead to: increased safety and handling, reduced weight, ease of installation, improved logistics and optimal



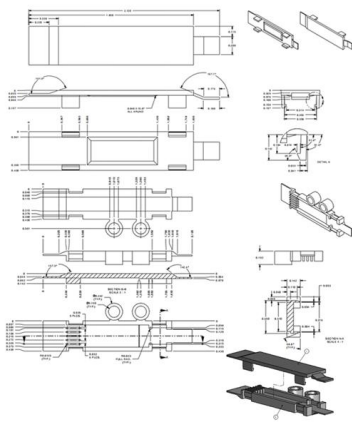
HOW TO BEND 45 DEGREE OF CABLE TRAY BASIC TUTORIAL

In the electrical wiring of buildings, a cable tray system is used to support insulated electrical cables used for power distribution, control, and communication.



CUTTING GUIDELINE

Hilti's cordless bandsaw is an appropriate tool for cutting low height, thin metal products such as cable ladders and trays and support channels. Accurate cutting is achieved with low noise and debris.



Make a (45-45) 90 Gusset Bend in Electrical Cable Tray In One Piece

How to make a 90 electrical cable tray bend to measurement with a gusset of your choice using one piece of tray. Great if you are new or just forgot how to do it, this easy to follow guide makes

Master the Cable Tray Secret to Perfect Back of Bend

How to Master back of bend measurements on electrical Cable Tray. Make a 90 electrical cable tray bend to measurement with a gusset of your choice using one piece of tray.



How to Make an Internal Bend in Steel Cable Tray Using a

You can buy a manufactured 90 degree bend or make one on a cable tray bending machine but in this video I show you how to make one using a metal bar.



Assembly Guide

The assembly guide below will help the cable tray installer make the bends and others without difficulty even he had never installed wire mesh cable trays before.



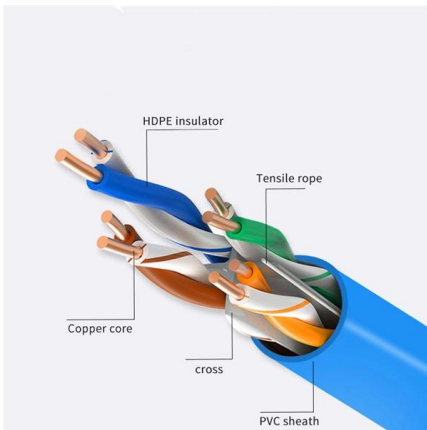
Formulas for flat 45 degree bend in cable tray

Would someone kindly let me know the formula to create a flat 45 in say 100 mm cable tray for example. So I can then use the formula on different cable tray sizes and to different angles.

How to create a 90° gusset bend (45°x2) cable tray

Depends on the type of cable tray, you can buy 90° tray fittings or use a speed square with a straight edge and a grinder or skill saw to cut 45° cuts. Do you want





How to make a bend with a wire mesh cable tray

This video shows you how easily, you can form and bend a wire mesh cable tray from Siltec - suitable for cables and tubes. See how easy it is to cut away the threads and bend the tray.

How to create a set bend in cable tray

How to create a set bend in cable tray - Demonstrated By Simeon Peach

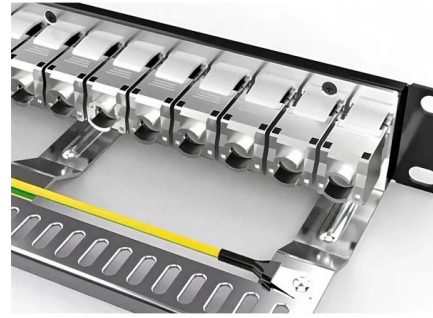


Cable tray horizontal bends , Information by Electrical Professionals

Ladder style, 48" wide 6" tall aluminum I beam, open bottom 6" rung spacing. Manufacturer offers factory bends 30 degrees to 90. We are installing tray around a clarifier at a

How to Bend Cable Tray Students trading aid on how best to

How to Bend Cable Tray Students trading aid on how best to put an internal 90 degrees bend in steel cable tray. Includes a full demonstration on how bend steel cable tray using a bending machine. This is a step by set guide



Make a 90 Bend in Electrical Cable Tray

The Easy Guide to How to make a 90 electrical cable tray bend to measurement of your choice. Great if you are new or just forgot how to do it, this easy

How to Make a 90-Degree Bend in Cable Tray , TikTok

Learn how to easily create a 90-degree bend in cable tray with this step-by-step tutorial. Follow along to mark, cut, file, and bend the tray to perfection! #electriciansoftiktok #electrician



How to Calculate Size of Cut to Set Cable Tray

By applying the following formula you can quickly find the size of the cut-out section that you need to cut out of the side of the cable tray, or gutter-type



How to construct a flat 90° bend for Cable Trays

How to construct a flat 90° bend for Cable Trays
December 9, 2024 The first step is to mark out the tray (A). Construction of a flat 90° bend (A)
The



How To Bend Cable Tray

Discover the best techniques and tools to bend cable tray easily and efficiently. Learn step-by-step instructions and tips from industry experts.



How to fabricate cable tray bend ,Cable tray installation , Cable tray

Is video mein cable tray ninit and bend banane ka tarika bataya hun marking cutting fitting Sara kuchh is video mein bataya hun full details mein Cable tray size 100x 50 mm Channel per pahli bar



Best practice guide to cable ladder and cable tray

Cable ladder and cable tray systems The following recommendations are intended to be a practical guide to ensure the safe and proper installation of



cable tray and trunking for electricians (Page 1) / Help

By applying the following formula you can quickly find the size of cut out section that you need to cut out of the side of the cable tray, or gutter-type



how to bend cable tray 90 degree by 2 cuts professionally

Subscribed 200 11K views 2 years ago 100 mm cable tray bend o How to bend 100mm cabletray 90 degree by 2 more

Contact Us

For datasheets, pricing, or custom telecom energy solutions, please visit:
<https://www.koskolong.co.za>