



**Adam Tas Corridor Energy**

# **How to interconnect two core switches**





## Overview

---

Switch cascading is a traditional method to interconnect multiple Ethernet switches. Connecting switches can be achieved through two common methods: cascading and stacking. In this guide, we will explore these two approaches and provide you with the necessary details to make an informed decision. As Edge core is connected to switch so I am thinking about connecting Edge core direct to cisco router because I dont see a point connecting to the switch as there is no filtering via firewall.



## How to interconnect two core switches

---

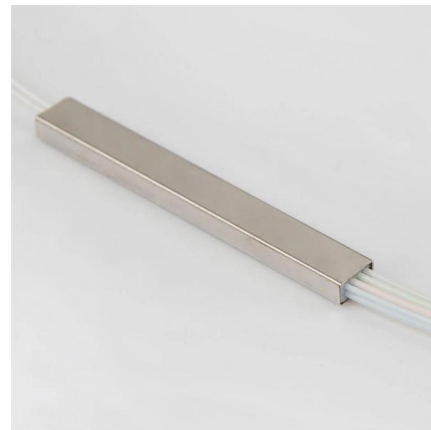


### Connecting multiple cisco switches together

What is the best approach, protocol and configuration to use when connecting 3 nx 9000 cisco switches together as core switches using fiber connects? We will eventually add edge

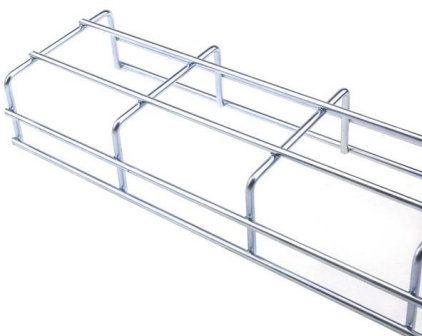
### How To Connect 2 Switches Together

With the right tools and knowledge, connecting two switches together is a relatively simple task. In this guide, we'll explore the different ways to connect two switches together and how



### How do I setup two switches together?

How to Setup Two Switches Together Setting up two switches together can be a crucial step in expanding your network, providing more

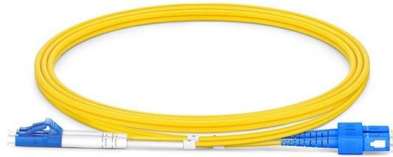


### Solved: Link aggregation to 2 core switches

Hi guys, We're planning to purchase 2 x WS-C3750G-12S-E core switches and a WS-



C2960G-48TC-L access switches. I'd like to know, is it



## How to Connect Two Switches Together: A Comprehensive Guide

Connecting switches can be achieved through two common methods: cascading and stacking. In this guide, we will explore these two approaches and provide you with the necessary

### 2 locations, 2 core switch stacks, fibre in between, equal cost load

This is a collapsed core topology with core and access switches, split over 3 blocks (fibre connections between), one core switch/stack is in block B and the other in block C, with access



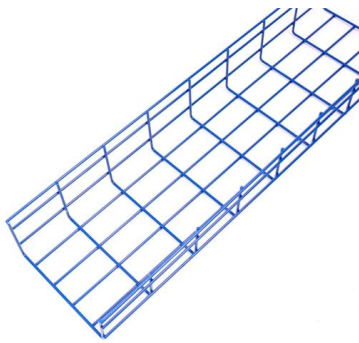
## How To Connect 2 Switches Together

It is possible to connect two switches together through a variety of methods, such as Ethernet cables, wireless connections, or even cross-over



## Solved: 2 core switches with same SVIs

Hi, is it possible to have 2 core switches running with the very same SVIs configured? Im not referring to stacking. I want to take down the old core later on but will gradually transfer the



## How To Connect Two Switches Together In a Network

There are three main types of switches - unmanaged, managed and smart switches. In this article, we will focus on how to connect two unmanaged switches using a crossover cable.

## Connecting two core switches : r/networking

Office network and Test Lab network is connected via point to point link. Both Office and Lab network have switches in spine (access layer) where servers or desktops are connected.



## Solved: how to connect two switches

I have to switches one in L3 an the other in L2. Several vlans on the network. Should i use a trunk connection between them or a etherchannel o port channel? what is the best way and when



## Solved: interconnecting two core switches

Yes, I'm connecting a pair of switches configured in VSS mode to another pair of switches configured in VSS mode. I need to establish connection between these switches for routing



## Connecting Two Network Switches Together

In this video we take a look at the different ways of connect 2 switches together. There are many different ways of connecting two or more switches together but we take a look at a few different

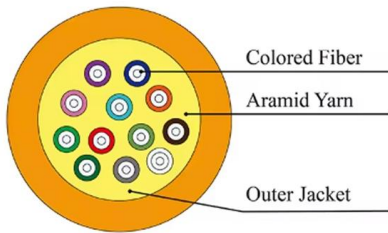
## L3 or L2 Link between Core Switches

We could connect one firewall to each CORE switch via an access port, configuring VRRP between the two firewalls so they can talk across that L2 link. We would route directly to the VIP



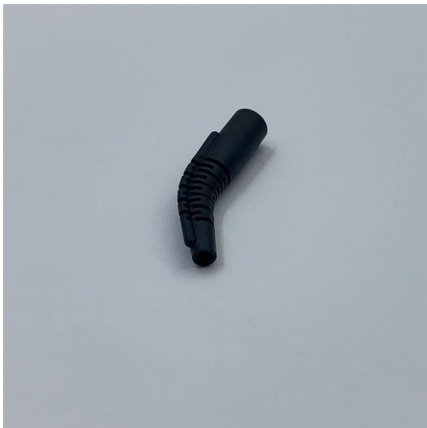
## Connecting Core & Access switches

Hey, I'm currently planning on setting up a new network with 2x HP 5500 EI as Core layer, and 2x HP 2530 as Access layer. The core switches will be in a IRF stack, and we are



## How do you interconnect your switches? : r/sysadmin

If you use Cisco Nexus, you can even virtualize the two switches on one piece of hardware and interconnect them accordingly. (Use two hardware switches to



## Core Switches: The Pillar of Network Infrastructure

Get a closer look at core switches: the nerve centers of network infrastructure that enhance performance and facilitate growth.

## How to configure two Core switches in a network with intervlan routing

Dear All, Hi Friends, i have two 3750 switches. I configured intervlan routing between three vlans which are vlan11,vlan12, and vlan13 in Core Switch1. These three vlans are communicate each





## Linking of multiple Ethernet switches -- cascading, stacking and

Thus, multiple Ethernet switches are connected together using different techniques, primarily switch cascading, switch stacking, and switch clustering. In this comprehensive guide, we'll

## Core Switch vs. Distribution Switch vs. Access Switch

The layer 2 switches collect the data from core switches, identify the type of data packet and the address of the access device. Further, the data packets are



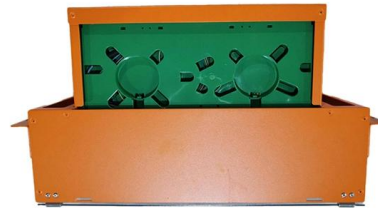
## How do I setup two switches together?

Setting up two switches together can be a complex process, but by following the steps outlined in this article, you can ensure a smooth and



## Recommendations: Dual Core Switch for redundancy.

Hi Experts, May I ask for your recommendations for this kind of setup. Best practices and other routing and switching stuff. I have the following:  
1 5520



## Best Way to Connect Multiple Switches

How to connect multiple switches in a network with clear steps and tips for effective setup and configuration.

## Connecting mutiple switches together

If you have excess ports you could consider link aggregation between the core and each switch, allowing redundancy and a total max throughput double that of one port (though no single



## How to Connect Multiple Ethernet Switches

This article will explore three common connection methods: switch cascading, switch stacking, and switch clustering, and will help you determine the



## Choose Identity Provider

Users with CSE logins are strongly encouraged to use CSENetID only. Your UW NetID may not give you expected permissions.

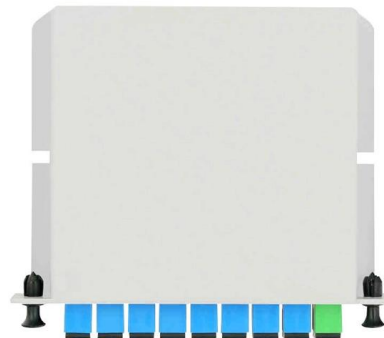


## How to link two Network Switch with fiber cables

We can use either the cat6 cable or fiber optical cable to link two network switch. One of the advantages of fiber optical cable is its fast speed. In this v

## How to Connect Multiple Ethernet Switches

Cascade vs Stack vs Cluster: Learn how to connect multiple Ethernet switches, compare the key differences, and choose the best setup to boost your



## Two switches, one uplink

I have a bunch of hosts that need to communicate with one another, between switches. In theory, the PG I've created will accomplish that (presuming all my VLANs are part of that trunk)



## How to Connect Multiple Ethernet Switches Using Fiber

If you have multiple Ethernet switches that need to be connected over long distances, fiber is obviously a preferred choice. Moreover, when it comes to



## Contact Us

---

For datasheets, pricing, or custom telecom energy solutions, please visit:  
<https://www.koskolong.co.za>