



Adam Tas Corridor Energy

How to move the cursor on the ExfootDR fiber optic tester





Overview

No part of this publication may be reproduced, stored in a retrieval system or transmitted in any form, be it electronically, mechanically, or by any other means such as photocopying, recording or otherwise, without the prior written consent of the publisher. SPI Engineers Technical Expert provides an in-depth tutorial of the two Top selling EXFO OTDR - The EXFO MaxTester 715B and Max Tester 715B with Advance (iADV) option. This video demonstrates How to use an OTDR along with detailed features and differences of these two. Go to VNC viewer on your smartphone and add your MaxTester's VNC server to the list using IP address shown in MaxTester's VNC tab. You should be able to connect to MaxTester via your smartphone now: Launch AnyDesk or Host on your smartphone. EXFO's Commerce And Government Entities (CAGE) code under the North Atlantic Treaty Organization (NATO) is 0L8C3. The MaxTester offers features like a touchscreen interface, optional built-in power meter and VFL, and remote access via VNC.



How to move the cursor on the ExfootDR fiber optic tester

Mastering Fiber Optic Testing with EXFO OTDR Technology

EXFO OTDR technology delivers precise fiber optic testing, fault location, and performance validation for telecom networks.



EXFO MaxTester Series

This user guide covers setup, operation, and maintenance of your new MaxTester fiber optic tester. Learn to navigate applications, configure settings, transfer data via Bluetooth or Wi-Fi, and



exfo maxtester 730c

exfo maxtester 730c The MaxTester 730C (MAX-730C) is designed for testing through FTTH/PON splitters for end-to-end characterization. This handheld OTDR is ideal for FTTH/PON testing, live

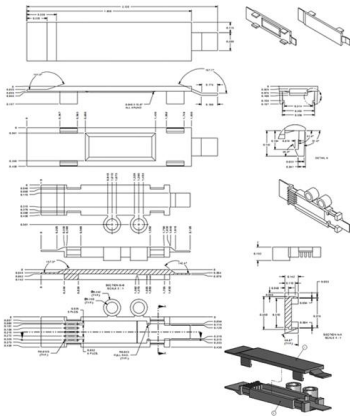


FIBERMASTER

Never look directly into the end of a connected fiber optic cable or fiber optic interface of optical test equipment- to do so could expose the user



to laser radiation and could result in personal injury.



EXFO MAXTESTER 700 USER MANUAL Pdf Download

View and Download EXFO MaxTester 700 user manual online. MaxTester 700 test equipment pdf manual download. Also for: Max-700.

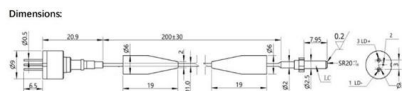
EXFO MaxTester Series

Below you will find brief information for MaxTester. This user guide covers setup, operation, and maintenance of your new MaxTester fiber optic tester. Learn to navigate applications, configure



Optical Time Domain Reflectometer

Reflectance threshold: To hide false reflective events generated by noise, transform non-harmful reflective events into loss events, or detect reflective events that could be harmful to network and





EXFO FOT-10A INSTRUCTION MANUAL Pdf Download

View and Download EXFO FOT-10A instruction manual online. Power Meter & Fiber-Optic Tester Series. FOT-10A test equipment pdf manual download. Also for: Fot

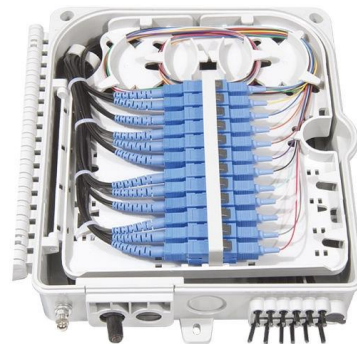


Customized Fiber Optic Testers & Tools , Test Equipment Manufacturer

Customized fiber optic testers and tools from trusted manufacturers. High-quality, reliable test equipment designed for accurate fiber network diagnostics.

OTDR Tester Most Detailed Operation Tutorial

Whether you are a novice or an experienced practitioner, this article will provide you with a clear operation guide to help you quickly get started with



MaxTester 720C , Spec sheet , EXFO

In response to these challenges, EXFO developed a better way to test fiber optics: The iOLM is an OTDR-based application designed to simplify OTDR testing by eliminating the need to configure



EXFO FOT-932 Specs

EXFO's Next-Generation MaxTester: Much More Features, Much Bigger Performance The new FOT-930 MaxTester Multifunction Loss Tester is designed to help network service providers address



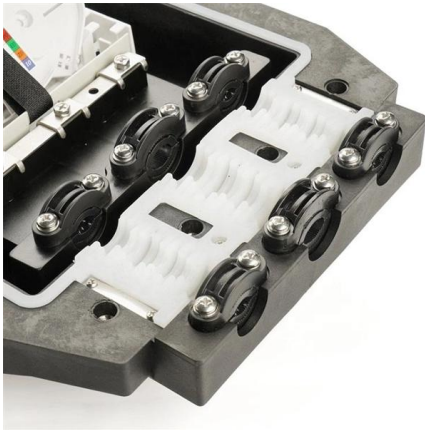
Business Insider

Business Insider tells the global tech, finance, stock market, media, economy, lifestyle, real estate, AI and innovative stories you want to know.

MANUAL

FAQ I can not control the cursor on MaxTester!
When you use VNC in MaxTester your cursor acts more like a touchpad on laptops. I order to move cursroe on MaxTeter click and hold Left Mouse Button.





EXFO OX1 Optical Explorer , Fibre Multimeter , DMOptics

EXFO OX1 Optical Explorer The EXFO OX1 fast and simple-to-use fibre optic tester, Optical Explorer verifies optical links in seconds and automatically explores further when potential issues are suspected.

FOT-930 MaxTester Multifunction Loss Tester

EXFO's Next-Generation MaxTester: Much More Features, Much Bigger Performance The new FOT-930 MaxTester Multifunction Loss Tester is designed to help network service providers address

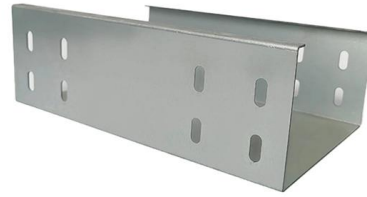


How to use the EXFO FTB-1-720 OTDR to Test The Fiber Optic Cable

How to use the EXFO FTB-1-720 OTDR to Test The Fiber Optic Cable AlitesTer - Discount Online Store 4 Fiber Optic Equipments 571 subscribers Subscribed

EXFO 720c Access OTDR Manual

Get the EXFO 720c Access OTDR manual for construction and maintenance of fiber optic access networks. This guide covers features, specifications, and troubleshooting. Download PDF.



EXFO MAXTESTER SERIES USER MANUAL Pdf

In this case, simply move the virtual keyboard until you can see the toolbar. Once the toolbar is visible, you can move it to a location of your choice on the screen.



OTDR Fiber Testing Demo Video , How to Use OTDR , EXFO Max

This video demonstrates How to use an OTDR along with detailed features and differences of these two EXFO OTDR models.



Fiber Tester : r/networking

Fiber Tester Anyone have a recommendation for a basic fiber tester? I'm in the middle of a core deployment and running into some weird issues with our fiber plant. I don't need to certify anything,



Fiber-Optic Tester FOT-700

Handheld Versatility Fiber-optic installation and maintenance requires accurate characterization of link loss in order to ensure that the loss budget is not exceeded--an application EXFO's FOT-700 Fiber



OTDR Testing Explained , Fiber Optic Cable Testing Using EXFO

This video explains everything from basic OTDR principles, setup and configuration, to analyzing fiber traces, measuring loss, and locating faults or breaks in optical fiber cables. What

Amirmobash/fiber-optic-tester

This Fiber Optic Cable Tester is a professional-grade tool for verifying the integrity of fiber optic cables with two independent channels (A and B). It consists of: Arduino Nano - controls LEDs (light



MaxTester 720D , Access Network , P2P Testing OTDR , PON Testing OTDR

Fully featured, entry-level, dedicated OTDR with tablet-inspired design; perfect for construction, troubleshooting and everyday field testing in



MaxTester 715D , Product support , EXFO

MAX Optical tester touchscreen is not responsive. Find the answers you're looking for. Let's keep in touch! Get the latest news on network testing, monitoring and



EXFO OTDR User Manual , PDF , Optical Fiber , Graphical User

The OTDR manual provides detailed instructions on the operation and configuration of the Optical Time Domain Reflectometer, including safety warnings and battery care.



Optical Time Domain Reflectometer

Distance: corresponds to the distance range of the fiber under test according to the selected measurement units (see Selecting the Distance Units on page 73). Changing the distance range





MaxTester Series User Guide , OTDR Testing

In this case, simply move the virtual keyboard until you can see the toolbar. Once the toolbar is visible, you can move it to a location of your choice on the screen.

EXFO MaxTester 720D-SM1 OTDR , Handheld Fiber

The MaxTester 720D-SM1 combines the power of EXFO's intelligent Optical Link Mapper (iOLM) with the convenience of field-replaceable connectors and long



Contact Us

For datasheets, pricing, or custom telecom energy solutions, please visit:
<https://www.koskolong.co.za>