



Adam Tas Corridor Energy

How to use a photovoltaic inverter module





Overview

Learn how to properly install and wire photovoltaic inverters for efficient solar energy systems. The inverter is the heart of every PV plant; it converts direct current of the PV modules into grid-compliant alternating current and feeds this into the public grid. If you run Direct Current (DC) directly to the house, most gadgets plugged in would smoke. In this first episode of solar training series, I break down the basic components of a complete solar power system using a simple block diagram and real-life explanations. [more How to Size a Solar Power System for Your Home in 2025 \(Step-by-Step Guide\)](#).



How to use a photovoltaic inverter module



GoodWe ESA 10 kWh

Description GoodWe ESA 10 kWh - GW10K-ETA-G20 hybrid inverter With the GoodWe ESA series, you get a powerful all-in-one energy storage solution for maximum independence and efficiency.

PV Inverters

The inverter is the heart of every PV plant; it converts direct current of the PV modules into grid-compliant alternating current and feeds this into the public grid. At the same time, it controls and



What is a Solar Inverter? The Ultimate 2025 Guide (All

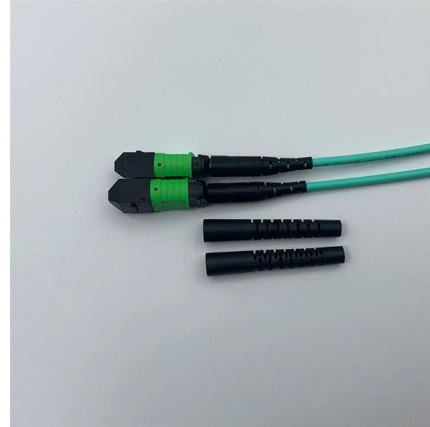
The definitive guide to solar inverters. We explain how they work, the different types (string, micro, hybrid), sizing, costs, and answer all your critical

Solar Integration: Inverters and Grid Services Basics

If you have a household solar system, your inverter probably performs several functions. In



In addition to converting your solar energy into AC power, it can monitor the system and provide a portal for



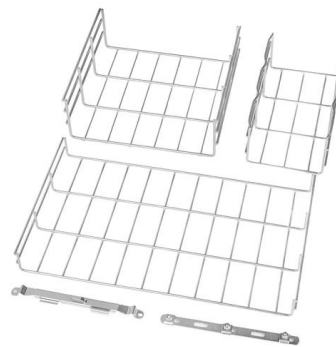
Photovoltaic Inverter Installation: Step-by-Step Guide for Solar Energy



Learn how to properly install and wire photovoltaic inverters for efficient solar energy systems. Our step-by-step guide covers preparation, connections, grounding, and final testing to

How to use solar photovoltaic inverter , NenPower

In summary, using a solar photovoltaic inverter effectively involves understanding its functionality, ensuring proper installation, performing regular



Photovoltaic system

Appearance Photovoltaic power systems and components: Solar string inverter and other BOS components BIPV on balcony in Helsinki, Finland in Boston, United



Home

The Reshoring Solar Manufacturing to Europe report, commissioned by SolarPower Europe and conducted by Fraunhofer ISE, quantifies the cost gap and lays out the policy levers



How to Install Solar Inverter at Home [Step by Step Guide]

How to Install Solar Inverter at Home: Connect positive/negative leads of the panel to the terminals & add controllers to manage the current.



Photovoltaic Inverter Installation: Step-by-Step Guide for

Learn how to properly install and wire photovoltaic inverters for efficient solar energy systems. Our step-by-step guide covers preparation, connections,

LoRawan outdoor base station



How to Use a Photovoltaic Inverter: A Step-by-Step Guide for Solar

Summary: Photovoltaic inverters are essential for converting solar energy into usable electricity. This guide explains how to install, maintain, and optimize your PV inverter, with practical tips and industry



GST Rates & HSN Codes for Solar & Renewable Energy

Complete guide to GST rates, HSN codes, and IDS refunds for solar and renewable energy products in India for manufacturers, EPCs, and MSMEs.



Solar inverter

Internal view of a solar inverter. Note the many large capacitors (blue cylinders), used to buffer the double line frequency ripple arising due to the single-phase AC

Photovoltaic inverter: a complete guide to features and

Complete guide to photovoltaic inverters: what they are, how they work, and how to choose the best model for your solar system. Discover also

Ordering information

NO	1	2	3	4
Model	P16M	P18M	P120M	P150M
Product name	Patch Panel	Patch Panel	Patch Panel	Patch Panel
Illustration				
NO	1	2	3	4
Maximum number of cores	96	102	288	324
Product size (including front panel and accessories)	482.8*208.7*62.2mm	482.8*208.7*68.2mm	482.8*208.7*112.5mm	482.8*208.7*117.2mm
Standard color code	R4L/R025	R4L/R025	R4L/R025	R4L/R025



Complete Guide For Solar Inverters Installation

Embark on solar inverter installation with our guide. Learn essential steps and maintenance tips for top performance. Click for solar setup mastery!

Solar Inverters: Types, Pros and Cons

Solar inverters change the power produced by your solar panels into something you can actually use. Think of it as a currency exchange for your power.



The Complete Guide to Solar Inverters

Photovoltaic modules capture photons from sunlight, convert them into DC electricity, and transmit them to a solar inverter through electrical cables. The inverter converts DC into AC

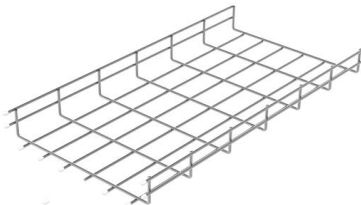
How to Use Solar Inverter: A Step-by-Step Guide for Optimal

Learn how to use a solar inverter effectively. From installation and configuration to monitoring, maintenance, and expansion, this guide has you covered.



A Guide to Solar Inverters: How They Work & How to

Learn what a solar inverter is, how it works, how different types stack up, and how to choose which kind of inverter for your solar project.



Photovoltaic Inverter Applications Explained

The photovoltaic inverter may not be as visible as solar panels, but it's one of the most crucial parts of a solar energy system. Whether it's powering your laptop at



- ✓ Slow Axis Aligned (0°) - for standard sensing applications
- ✓ Fast Axis Aligned (90°) - for special modulation applications
- ✓ 45° Axis Aligned - for depolarizer applications



Best Guide to Photovoltaic Inverter for Solar Power

In this comprehensive guide, we'll break down everything you need to know about photovoltaic inverters, their types, benefits, and how to choose the



Solar inverters: types, how they work and how to choose

Understand what a solar inverter is, learn about on-grid, off-grid, hybrid and micro types, and find out how to choose the ideal model to save money.

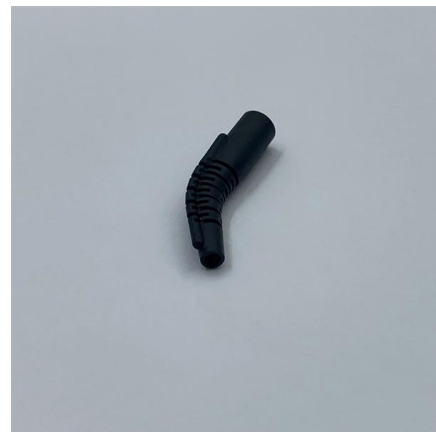


Solar and Inverter Training for Beginners.

In this first episode of solar training series, I break down the basic components of a complete solar power system using a simple block diagram and real-life explanations.

Solar Inverters: Types, Benefits, Costs, and How They

What a solar inverter does, solar inverter costs and benefits, and solar inverter types.



How Does A Solar Inverter Work? Complete Guide

Learn exactly how solar inverters convert DC to AC power with real testing data, expert insights, and complete type comparisons. Includes safety tips



Photovoltaic (PV) Tutorial

Photovoltaic (PV) Tutorial This presentation was designed to provide Million Solar Roof partners, and others a background on PV and inverter technology. Many of these slides were produced at the

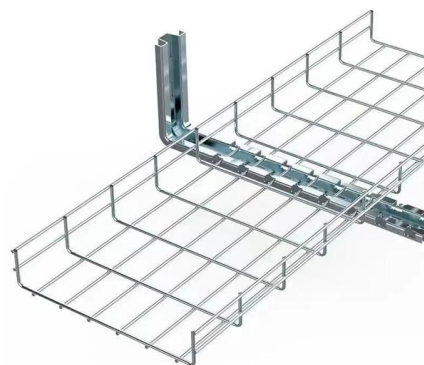


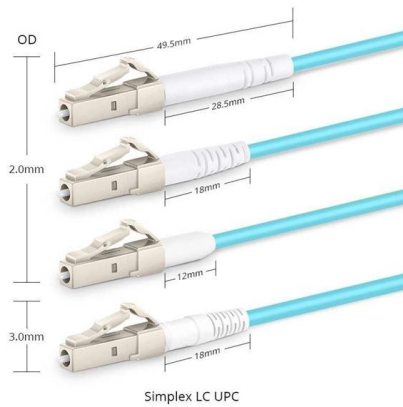
Best Guide to Photovoltaic Inverter for Solar Power

Best Guide to Photovoltaic Inverter for Solar Power Systems: In today's energy-conscious world, switching to solar power is more than just a trend--it's a

How to Use Solar Inverter: A Step-by-Step Guide for Optimal

Solar inverters are the linchpin of solar energy systems, converting the direct current (DC) produced by solar panels into the alternating current (AC) that powers our homes, commercial and





How Solar Inverters Work for Solar Panels

In the case of grid-tied PV, the inverter is the only piece of electronics needed between the array and the grid. Off-grid PV applications use an additional dc to dc converter between the array and batteries

Contact Us

For datasheets, pricing, or custom telecom energy solutions, please visit:
<https://www.koskolong.co.za>